



AXKID
ONE
2

Designed
in Sweden



UN regulation no. 129

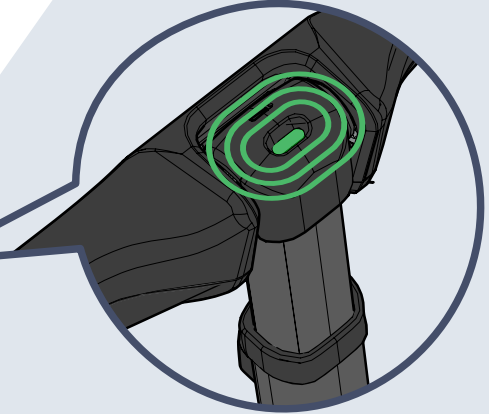
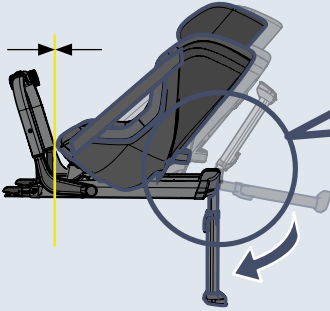
Instruction Manual

Axkid One+2 car seat 0-23kg, 40-125 cm

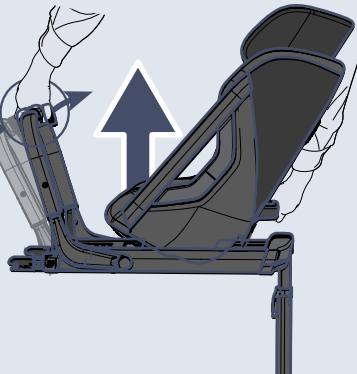
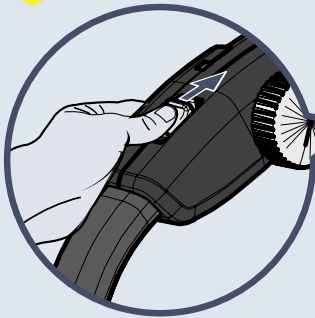
Axkid One 2 car seat 0-23kg, 61-125 cm



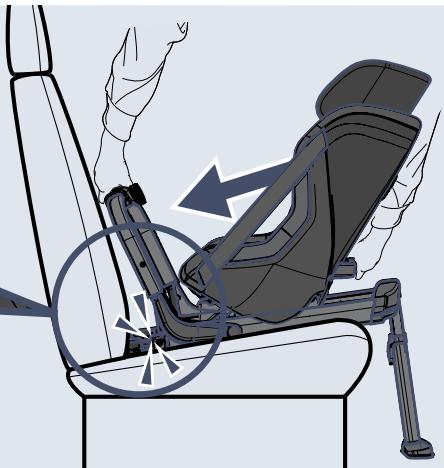
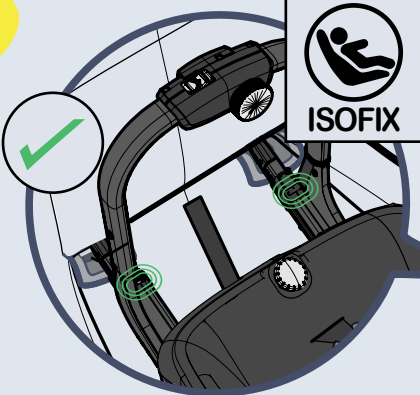
1



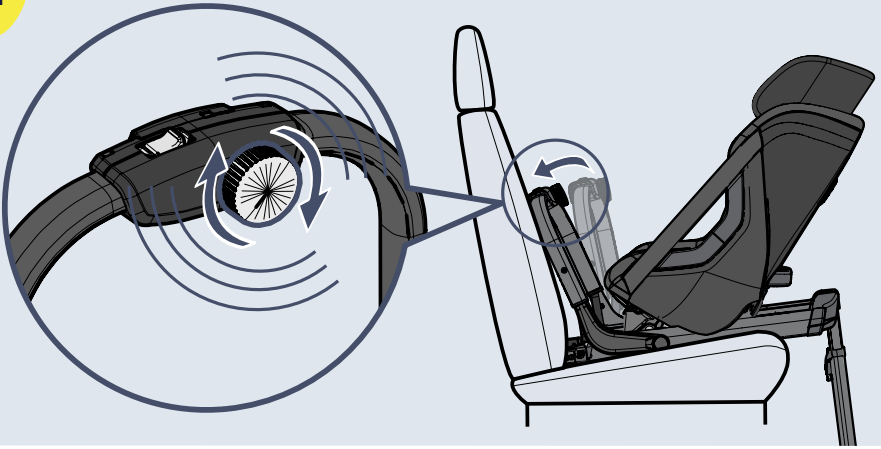
2



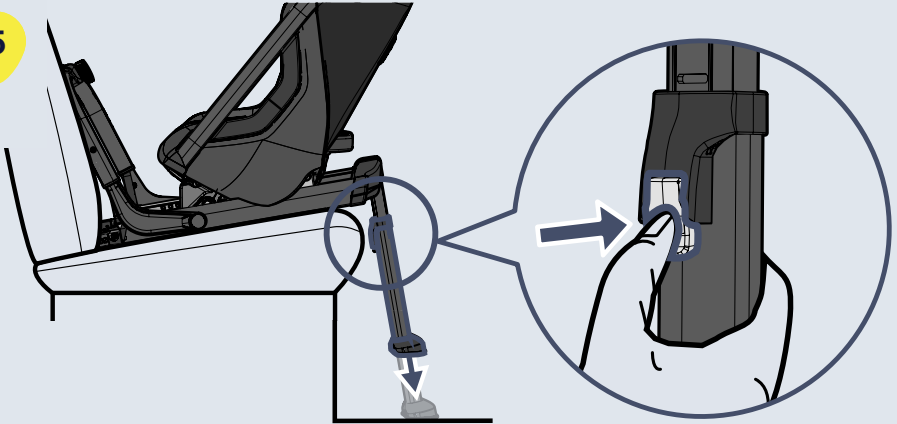
3



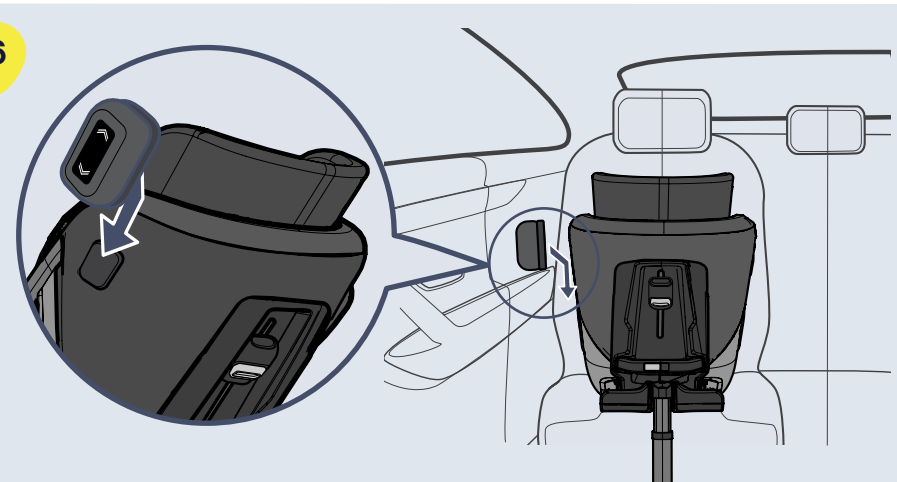
4



5

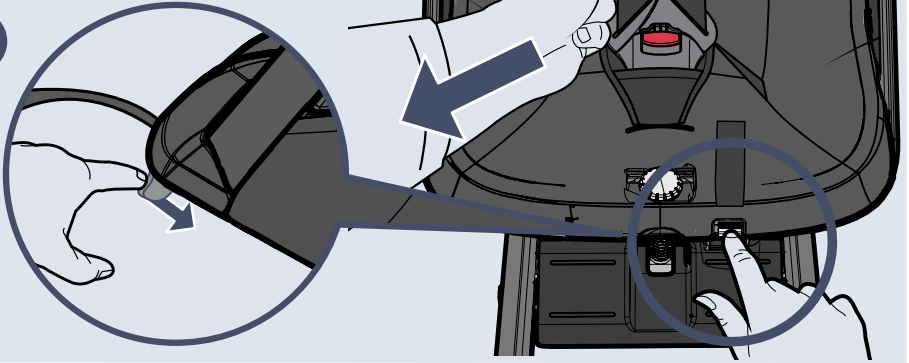


6

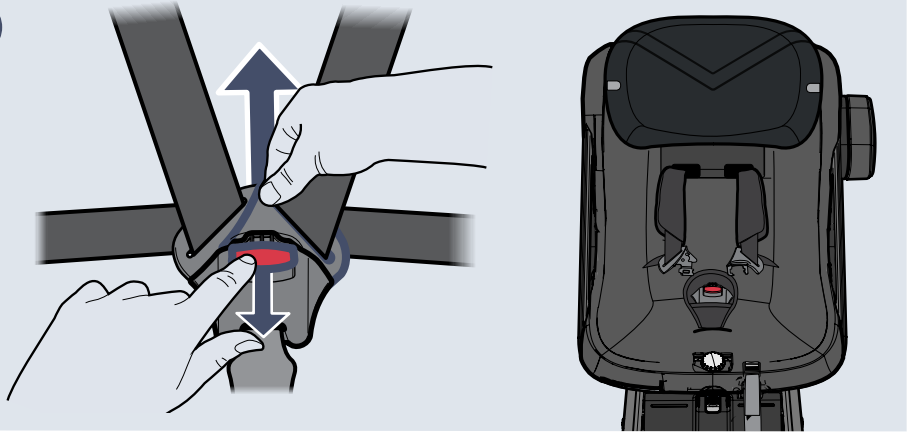




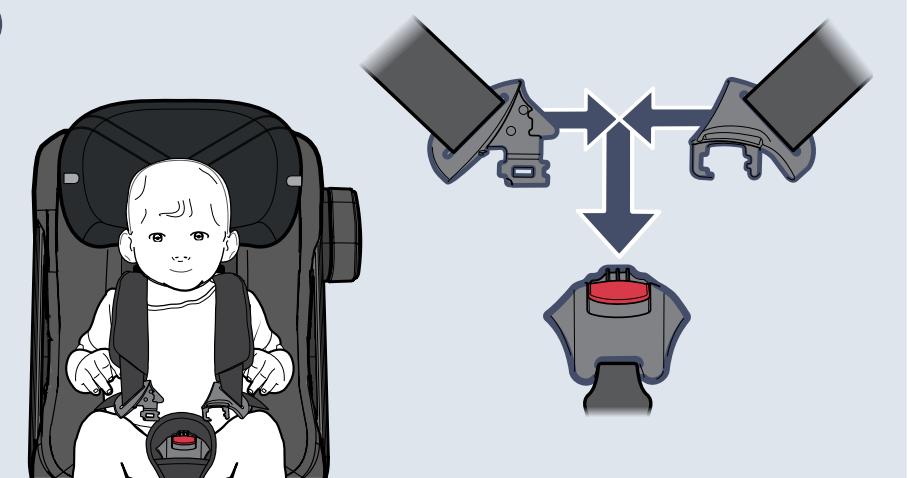
7



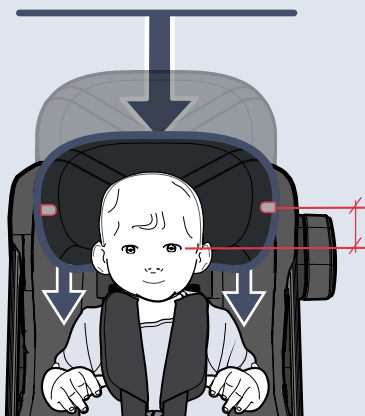
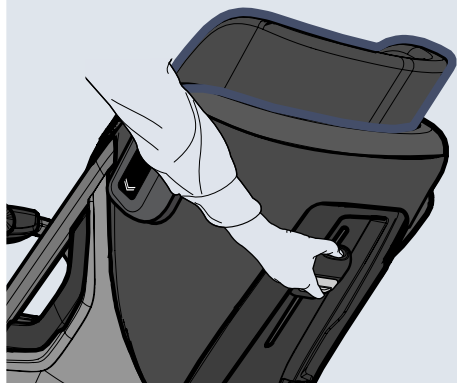
8



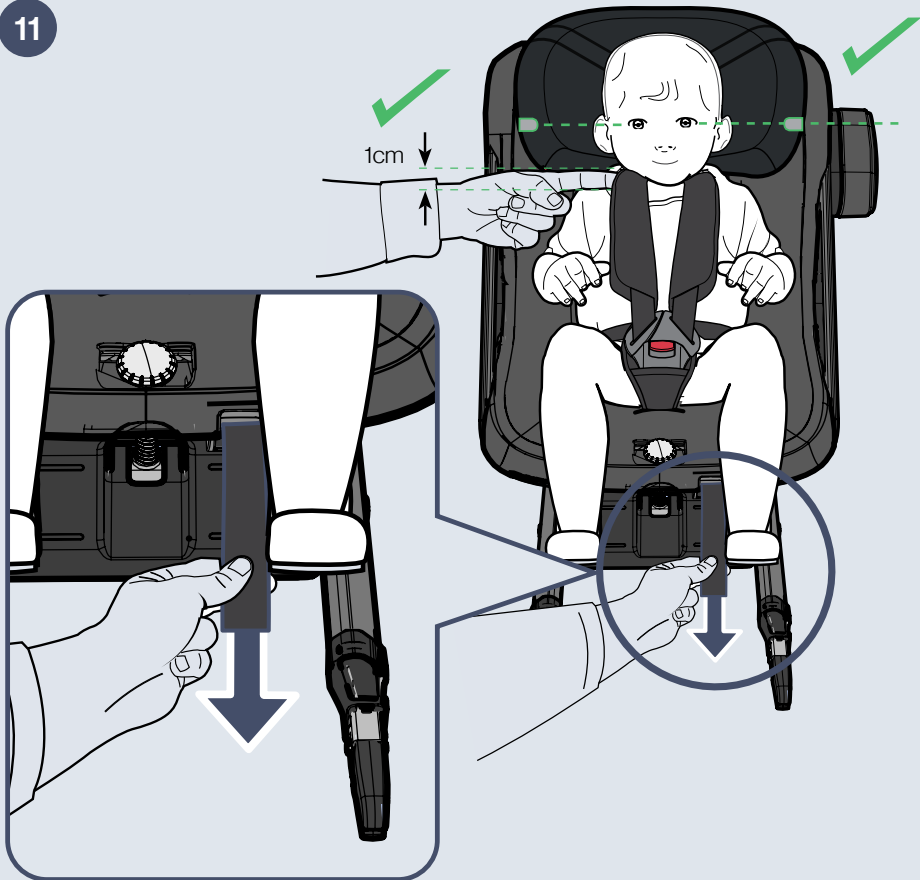
9

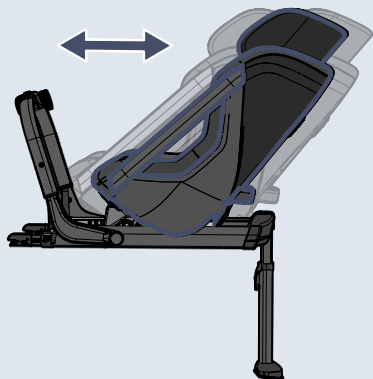


10



11

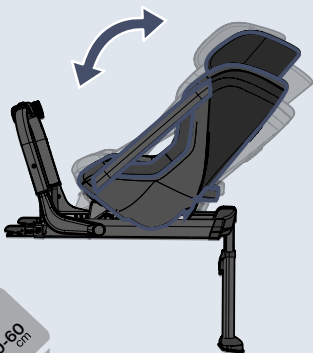
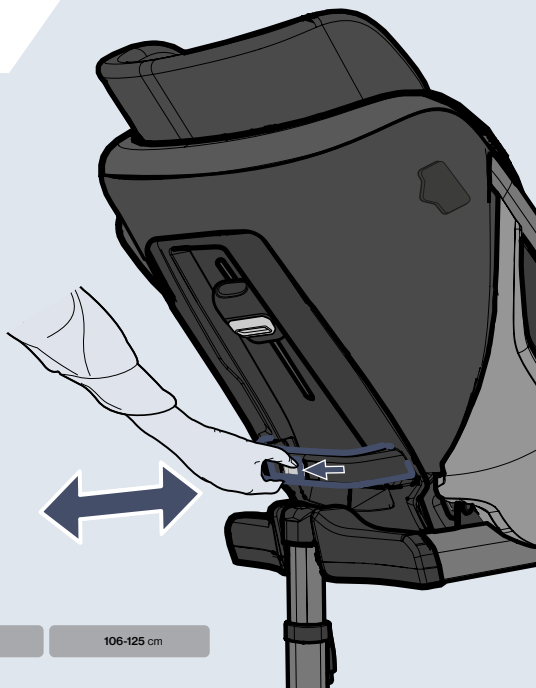




0-60 cm

61-105 cm

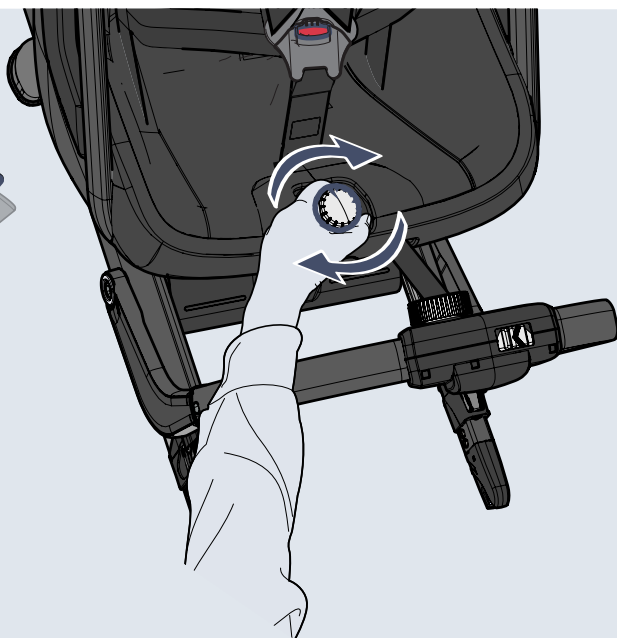
106-125 cm

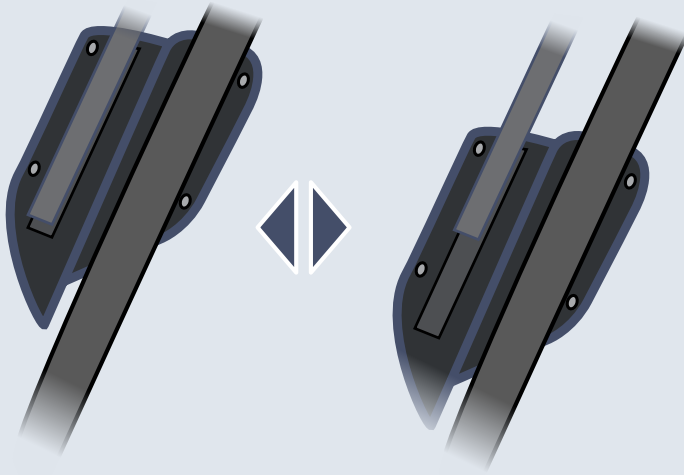


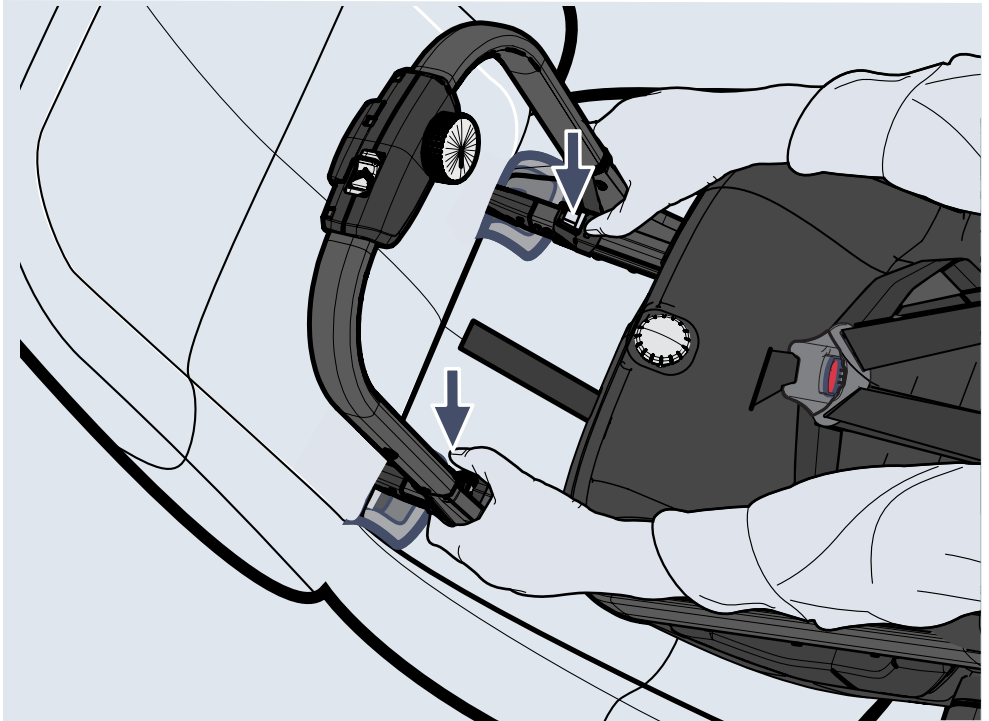
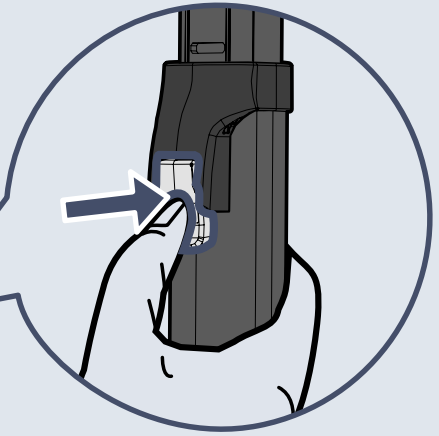
0-60 cm

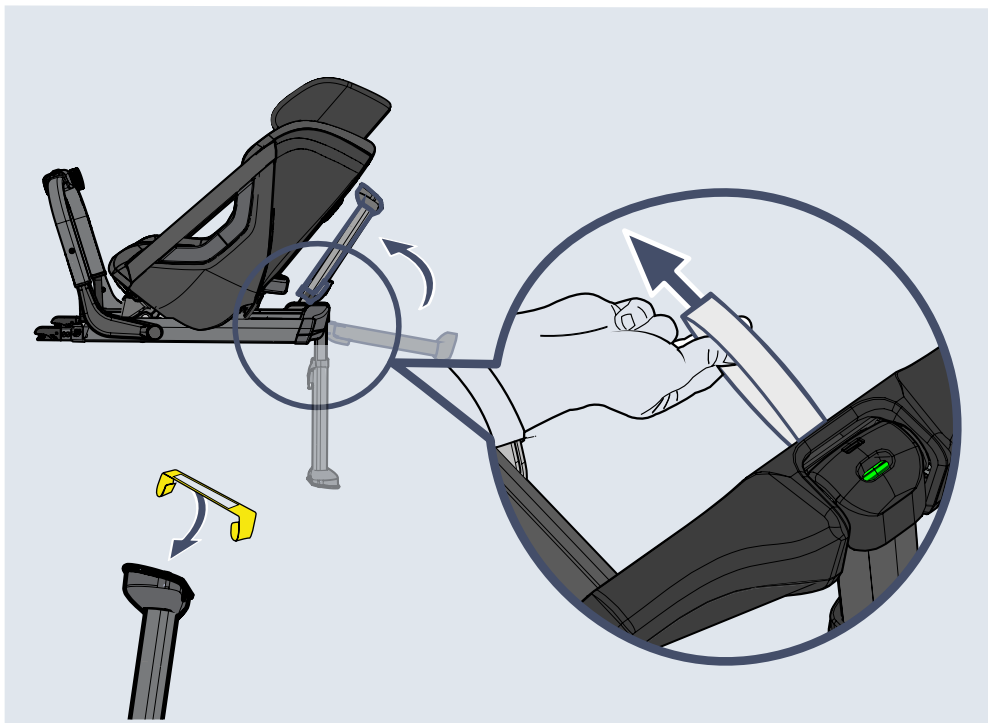
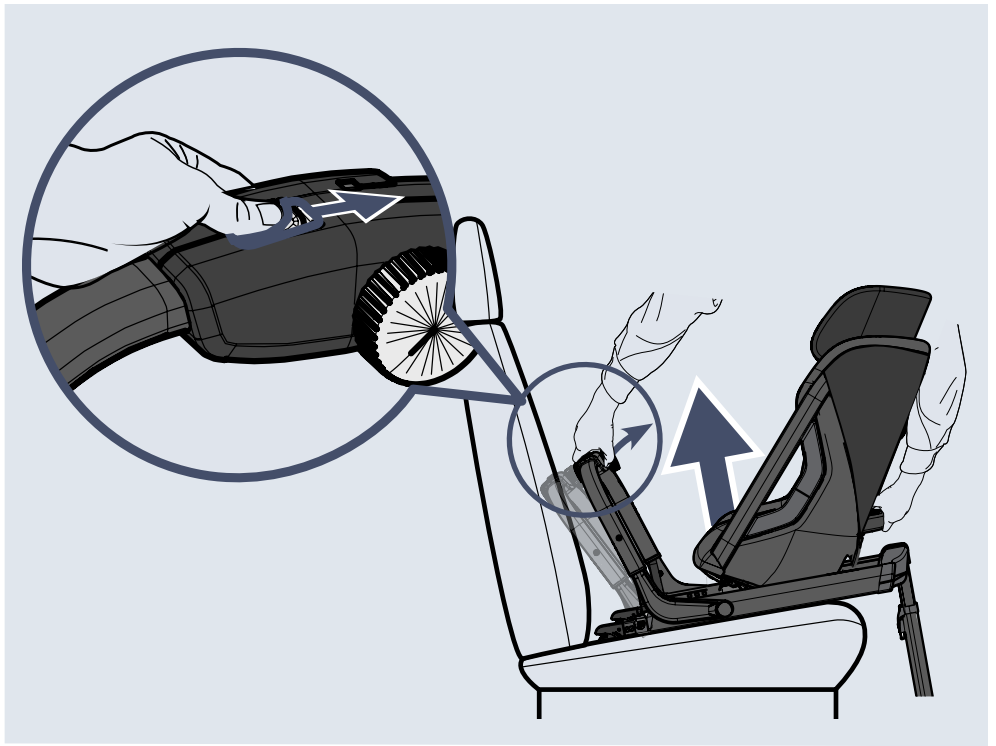
61-105 cm

106-125 cm









Sverige/Norge
Axxkid AB
www.axxkid.com
info@axxkid.com
Tel: (+46) 511 760 620

UK/Ireland
Axxkid Ltd
www.axxkid.com
salesuk@axxkid.com
Tel: (+46) 511 760 620

France
Axxkid AB
www.axxkid.com
info@axxkid.com
Tel (+33) 06 07 01 87 73

Deutschland
Axxkid GmbH
www.axxkid.com
kundenservice@axxkid.com
Tel: +(49) 60-99 84 89 05

España/Portugal
Independent Marketing
www.infobebe.es
info@infobebe.es
(+34) 952 561 000

Polsce
Junior Andrzej Kwapinski
Horbaczewskiego 4-6
54-130 Wroclaw Dh Astra Sklep
Poland Tel: +(48) 713 549 723

Czech Republic
Domecek pro deti
www.domecekprodeti.cz
info@domecekprodeti.cz
(+42) 0727 981 815

România
SC Baby Car seats
www.axxkid.ro
maria@axxkid.ro
(+40) 0747 35 47 47

New Zealand
Clicksafe
www.clicksafe.co.nz/axxkid
axxkid@clicksafe.co.nz
Tel: (+64) 212 504 215

Suomi
Lastentarvike
www.lastentarvike.fi
info@lastentarvike.fi
(+358) 09 852 05 100

Malaysia
SafenSound
www.safensound.com.my
may@safensound.com.my
(+60) 358 70 22 84

Greece
Serbia
LETO shop
www.letoshop.gr
christos@letoshop.gr
(+30) 211 102 67 30

Eesti
GreenHansa OÜ
www.beebipood.ee
riho@beebipood.ee
(+372) 5300 8000

Latvia
Muki
www.muki.lv
jurgis@muki.lv
(+371) 292 828 98

Lietuva
Kotryna Group
www.kotrynagroup.com
kotryna@kotryna.lt
(+370) 521 322 54

South Africa
Quality Imports SA & #Carseatfullstop
www.qualityimportssa.co.za
qualityimportssa@gmail.com
(+27) 11 789 7119

Ísland
Leiftur
www.leiftur.is
kristmann@leiftur.is
(+354) 821 25 37

AXXKID

EN	12-21
DE	22-31
ES	32-41
IT	42-51
FR	52-61
PL	62-71
SV	72-81
NO	82-91
DK	92-101
FI	102-111
LV	112-121
PT	122-131
RO	132-141
AR	142-151

Thank you for choosing Axkid One

Read this instruction manual before installing Axkid One car seat in your vehicle.
For more information and installation videos visit www.axkid.com.

Axkid One 2 car seat is a rear-facing car seat approved for children with a height between 61-125 cm or with a maximum weight of 23 kg.
Axkid One+ 2 car seat is a rear-facing car seat approved for children with a height between 40-125 cm or with a maximum weight of 23 kg.

This is an i-Size Enhanced Child Restraint System. It is approved according to UN Regulation No. 129, for use in, i-Size compatible vehicle seating positions as indicated by vehicle manufacturers in the vehicle user's manual. If in doubt, consult either the Enhanced Child Restraint System manufacturer (www.axkid.com) or the retailer.

Important information

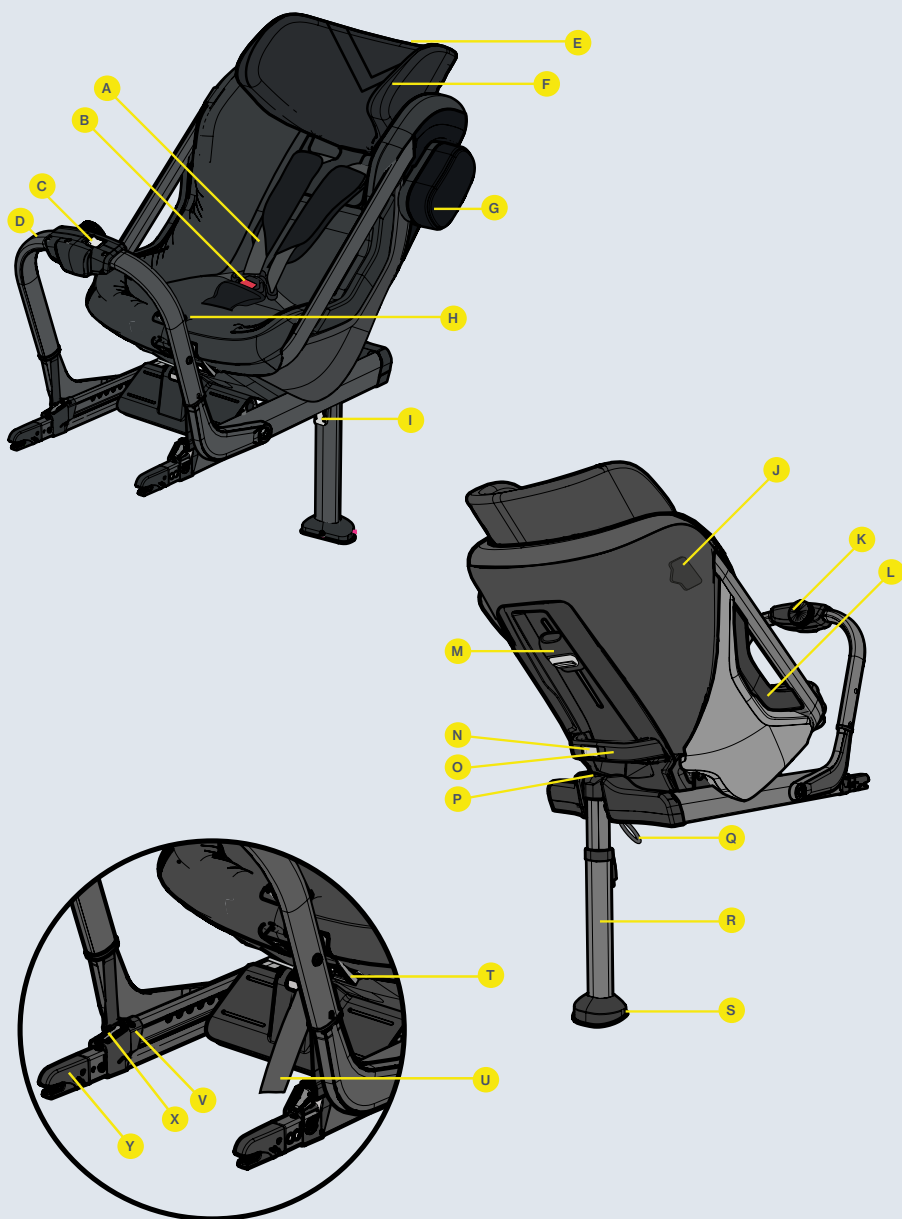
To maximize your child's safety, it is important that you keep following in mind:

- Always follow the instructions in this manual. An incorrect installation may seriously affect the safety for your child. If in doubt, contact your retailer who can demonstrate a correct installation.
- Keep this instruction manual for future reference. If manual is lost, you can find it online at www.axkid.com
- Do not use Axkid One car seat in a seating position where an active frontal airbag is fitted. If you still wish to install Axkid One car seat in this location the airbag must be switched off according to the vehicle manufacturers instructions.
- Should you have an accident, no matter how small, your car seat should always be replaced. It may have damage that is nonvisual and could seriously affect the safety of your child. For this reason, Axkid does not recommend purchasing secondhand car seats.
- If Axkid One car seat has been exposed to direct sunlight, make sure the car seat is not too hot before installing your child.
- Never leave your child unattended in the vehicle.
- Ensure that any luggage or loose objects are secured in your vehicle as they may cause injuries to passengers in the event of an accident.
- Ensure that Axkid One car seat is installed in a way where no parts become trapped by movable seats, car doors, etc.
- Axkid One car seat may only be installed rear-facing.
- Always make sure that the harness is adjusted to correctly fit your child's body. The harness is adjusted by moving the head support.
- Make sure that the child's back is pushed against the car seat when restraining your child with the harness.
- Always make sure that the harness is firmly tightened against your child and that the buckle is completely locked, you should not be able to pinch the straps.
- Make sure there is no twist in the harness.
- Always make sure the support-leg is in its correct position and have contact with the vehicle floor. Check that the indicator on top of the support-leg is green and that you don't hear any beeping sound from the support-leg foot.
- Do not attempt to disassemble nor modify any part of Axkid One car seat. The warranty and the safety performance of Axkid One car seat could be affected if doing so.
- Never use Axkid One car seat without the seat textile cover. The seat textile cover is a safety feature and may only be replaced with an Axkid original seat textile cover.
- Read the vehicle handbook to find which seating positions is suitable for this seat.
- Axkid recommends to always use a seat protection to protect your vehicle seat from scratches and dirt.
- If any doubts, contact the retailer where the car seat was purchased or contact info@axkid.com

Table of content

Parts	14
Allowed and disallowed positioning of Axxkid One car seat	16
Installing Axxkid One car seat in the vehicle	17
Restraining your child in Axxkid One car seat	18
Seat adjustments	19
Adjusting Axxkid One car seat	19
Removing Axxkid One car seat from the vehicle	20
Care and maintenance	20
Warranty	21

Parts



Shoulder straps (A)	Headrest adjustment buttons (M)
Buckle release button (B)	Legroom adjustment button (N)
Front brace release button (C)	Back handle (O)
Front brace (D)	Support-leg position indicator (P)
Headrest (E)	Support-leg release strap (Q)
Eye level indicator (F)	Support-leg (R)
ASIP pad (G)	Sound indicator (S)
Recline position knob (H)	Harness release button (T)
Support-leg button (I)	Harness tension strap (U)
ASIP connector (J)	ISOFIX locking indicators (V)
Front brace knob (K)	ISOFIX buttons (X)
Side cover (L)	ISOFIX connectors (Y)

Allowed and disallowed positioning of Axxkid One car seat

Axxkid One car seat can only be installed rear-facing using ISOFIX. It is approved for use in all i-Size approved seating positions but may also fit in other non i-Size-approved ISOFIX seating positions. Check your vehicle instruction manual to find suitable seating positions and check the vehicle list on www.axxkid.com

Front passenger seat with ISOFIX (no active airbag)	YES/NO*
Front passenger seat with ISOFIX (active airbag)	NO
Rear passenger seat with ISOFIX	YES
Side and rear facing seats with ISOFIX	NO
Seats without ISOFIX	NO



IMPORTANT: If you wish to install your Axxkid One car seat in a location where a frontal airbag is fitted, the airbag must be disconnected according to your vehicle manufacturer instruction. Note that some vehicles require an authorized service center to disconnect the airbag.

* The General Regulation of Traffic in Spain, in its article 117, establishes the prohibition of driving with children of stature equal to or less than 135 centimeters located in the front seats of the vehicle, without exceptions.



Never install a child restraint in a passenger seat where an active airbag is fitted.





Installing Axkid One car seat in the vehicle

1

Before installing Axkid One car seat in your vehicle, minimize its size by releasing the legroom adjustment button (N) and slide the seat towards the front brace (D). Fold down the support-leg (R) until a click can be heard and the support-leg position indicator (P) turns green.

2

Release the front brace release button (C) and fold the front brace (D) towards the seat. Keep holding the front brace (D) with one hand and grab the back handle (O) with the other hand and lift the Axkid One car seat into your vehicle with the front brace (D) first and then turn it to a rear-facing position.

3

Push the ISOFIX connectors (Y) into the ISOFIX connection points in the vehicle until you hear a click and both ISOFIX locking indicators (V) turn green.

4

Let go of the front brace (D) which will start tensioning itself against the vehicle seat. When it stops, turn the front brace knob (K) clockwise until you feel and hear a click, the front brace (D) should now be firmly pressed against the vehicle seat. The front brace knob (K) has a built-in torque limiter and the click indicates that the front brace (D) is tightened correctly and cannot be tightened any more.

5

Push the support-leg button (I) and pull the support-leg (R) downwards until it is in contact with the vehicle floor. Let go of the support-leg button (I) and lift the car seat upwards to further extend the support-leg (R) until you hear a click. The support-leg (R) should now be locked and firmly pressed against the vehicle floor. Note: The Axkid One car seat is equipped with a beeping sound indicator (S) that will keep beeping until the support-leg (R) is firmly pressed against the floor, indicating a correct installation.

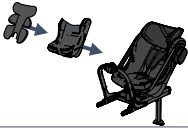


6

Push the ASIP pad (G) into the slots on the ASIP connector (J) and slide downwards, the ASIP pad (G) will click into place. If there is a plastic cover on the ASIP connector (J), remove it and place it on the ASIP connector (J) on the opposite side of the seat before fitting the ASIP pad (G). Make sure the ASIP pad (G) is attached on the side of Axkid One car seat that is closest to the vehicle door.



Restraining your child in Axxkid One car seat

Before restraining your child in the Axxkid One car seat, make sure you have the correct insert installed in the seat. Axxkid One is designed to grow with your child and to ensure a comfortable and safe fit for all children. Axxkid recommends using the relevant insert until it is too tight for your child, but to a minimum length according to table below (note that the age is just an indication):

Age	Height	
Infant 0-6 month (Axxkid One + only)	0 – 60 cm	
Toddler 0-3 years	61 – 105 cm	
Child 3-7 years	106 – 125 cm	

7

Loosen the harness by pressing the harness release button (T) and pull out both shoulder straps (A) at the same time. Avoid pulling only one strap at the time since it may cause the shoulder straps (A) to become uneven.

8

Unlock the buckle by pressing the buckle release button (B) and place the straps outside of the seat.

9

Place your child in the seat and place the shoulder straps (A) over your child's shoulder. Lock the harness by first positioning the parts of the buckle that is attached to the shoulder straps (A) together and then push them into the buckle until you hear a click.

10

Adjust the headrest (E) until the eye level indicators (F) is in line with your child's eyes by pushing both headrest adjustment buttons (M) and slide it upwards or downwards. Note: the eye level indicators (F) shall not be used when using the infant insert (Axxkid One + only). When using Axxkid One + for infants, always make sure that the headrest is in the lowest position.

11

Check that the shoulder straps (A) is going through the seat straight from your child's shoulders or maximum 1 cm above. You might need to adjust the headrest (E) again, even if it makes the eye level indicator get out of line with your child's eyes. Now pull on the shoulder straps (A) to tighten the harness over your child's hips. While keeping tension in the shoulder straps (A), pull the harness tension strap (U) until the harness is tightened enough, you should not be able to fit more than one finger between the shoulder straps (A) and your child's shoulders.



Seat adjustments

After the Axxid One car seat has been installed in your vehicle you can easily adjust both the legroom and the recline position for your child. This can also be done while your child is restrained in the car seat.

To ensure a good fit in all cars and give the best protection for your child, Axxid strongly recommends that you use the guided positions marked on the side of the car seat. As your child grows it is important to adjust the recline to a more upright position to give the best possible protection for your child's neck in the case of an accident.

The size indication is based on your child's length. Make sure both arrows points at the correct zone.

Age	Adjustment	
Infant 0-6 month (Axxid One+ only)	Maximum recline Minimum legroom	<p>0-60 cm</p>
Toddler 0-3 years	All recline positions Several legroom positions	<p>61-105 cm</p>
Child 3-7 years	Maximum upright position Maximum legroom	<p>106-125 cm</p>

Adjusting Axxid One car seat

- The legroom is adjusted by releasing the legroom adjustment button (N) and sliding the seat forward or backwards. To avoid Axxid One from accidentally sliding forward, grab the back handle (O) and gently pull it backwards before releasing the legroom adjustment button (N).
- The recline position of the car seat can be adjusted by turning the recline position knob (H).



Removing Axxkid One car seat from your vehicle

- Push the support-leg button (I) and collapse the support-leg (R) to its shortest position.
- Slide the front brace release button (C) and fold the front brace (D) towards the seat to release the tension against the vehicle seat.
- Disconnect the ISOFIX connectors (Y) by pushing down on the ISOFIX buttons (X) and then slide them backwards, away from the vehicle seat.
- Keep holding the front brace (D) with one hand and grab the back handle (O) with the other hand and lift Axxkid One car seat out of your vehicle.
- Fold up the support-leg (R) by pulling the support-leg release strap (Q) and folding the support-leg (R) upwards.

Care and maintenance

- The seat textile cover can be machine washed at 30° C on a gentle cycle. Do not put the cover in a dryer as this can damage the cover and the padding may separate from the fabric. Visit www.axxkid.com to find videos explaining how to remove and attach the cover.
- To remove the textile cover from the seat, pull outwards on the side cover (L) and de-attach the Velcro. Open the zippers at the backrest and gently remove the cover from the seat. Make note how it is attached around the seat to make it easier to put back. When reinstalling the side cover (L), insert it under the aluminum frame and simply push back into the snap attachment. To remove the headrest cover, open the zippers on the bottom of the headrest and gently remove the cover.
- If the seat cover needs replacing, ensure only original products from Axxkid are used. If other products are used, Axxkid One car seat's safety system may be compromised and could lead to severe injury in case of an accident.
- Any plastic parts of Axxkid One car seat can be cleaned with mild detergent and water. Do not use aggressive chemicals containing solvents or similar, as this can cause damage to the plastic and compromise the safety of the car seat.
- All materials used in Axxkid One car seat are recyclable and should be recycled as per your local legislation. Ask your local recycling center for advice when recycling this product.
- The sound indicator (S) contains a replaceable CR1632 battery. Please remove and recycle the battery according to your local legislation when the Axxkid One car seat should no longer be used. Unscrew the two screws at the bottom of the support-leg (R) and remove the cover to gain access to the battery.
- Do not make any modifications or alterations to Axxkid One car seat other than those described in this instruction manual.
- Any repairs must be carried out by the manufacturer or agent.

Warranty

Axkid One car seat is covered by a 24-month warranty from date of purchase. Ensure you save your receipt and bring it to your place of purchase if you have any warranty issues.

The warranty does not cover:

- Normal wear and tear
- Damage due to incorrect use, neglect or accident
- If repairs have been carried out by a third party
- All materials used have a very high UV-resistance rating. However, UV-light is very aggressive and will ultimately lead to fading of the seat cover. This is not covered by our warranty as it is considered normal wear and tear.
- Handle the seat with care. Note that the backside mesh fabric scratches easily and damages other than factory faulty mesh, will not be covered by the warranty.

Vielen Dank, dass Sie sich für den Axkid One entschieden haben

Bitte lesen Sie die Anleitung vor der Installation des Axkid Ones in Ihrem Fahrzeug sorgsam durch. Für weitergehende Informationen und Installationsvideos rufen Sie bitte die Webseite www.axkid.com auf.

Der **Axkid One 2** Autokindersitz ist ein rückwärtsgerichteter Kindersitz, der für Kinder von einer Größe von 61-125cm und einem Maximalgewicht von 23kg zugelassen ist.
Der **Axkid One+ 2** Autokindersitz ist ein rückwärtsgerichteter Kindersitz, der für Kinder von einer Größe von 40-125cm und einem Maximalgewicht von 23kg zugelassen ist.

Der Axkid One ist ein erweiterter i-Size Kindersitz. Er ist nach der UN R129 Richtlinie zur Nutzung auf i-Size kompatiblen Plätzen im Auto gemäß dem Handbuch des jeweiligen Autoherstellers zugelassen. Im Zweifel wenden Sie sich bitte an den Kindersitzhersteller (www.axkid.com) oder Ihren Händler.

Wichtige Informationen

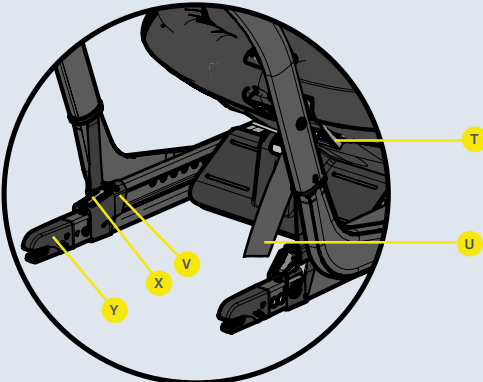
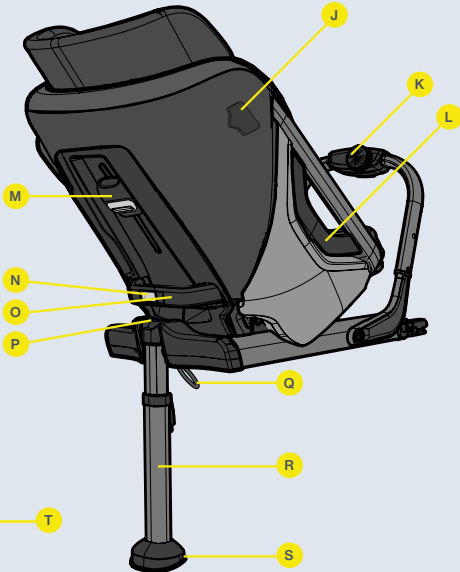
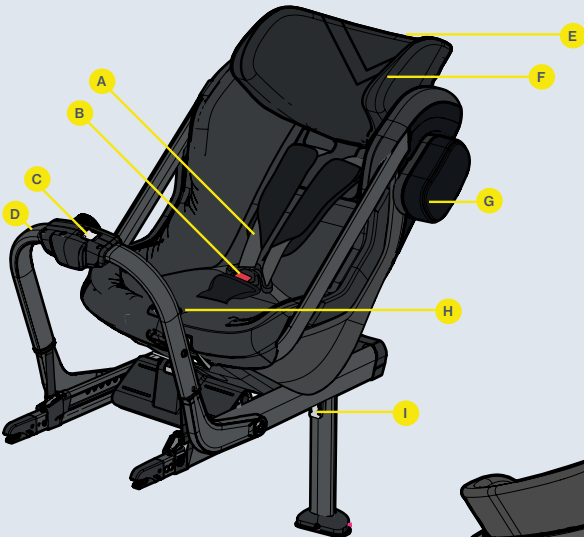
Um die beste Sicherheit für Ihr Kind zu ermöglichen, ist es wichtig, dass Sie die folgenden Punkte beachten:

- Folgen Sie immer der Anleitung. Eine inkorrekte Installation kann die Sicherheit Ihres Kindes gravierend beeinflussen. Sollten Sie sich unsicher sein, wenden Sie sich bitte an Ihren Händler für einen korrekten Einbau und Nutzung.
- Behalten Sie die Gebrauchsanleitung für zukünftiges Nachschlagen. Sollten Sie die Anleitung verloren haben, können Sie sich online unter www.axkid.com finden.
- Nutzen Sie den Axkid One Kindersitz nicht in einer Sitzposition, auf Sitzplätzen, auf denen ein aktiver Frontalairbag eingebaut ist. Wenn Sie den Axkid One auf einem solchen Sitzplatz installieren möchten, muss der Airbag gemäß den Instruktionen des Autoherstellers komplett ausgeschaltet sein.
- Sollten Sie einen Unfall haben, egal wie klein, sollten Sie Ihren Kindersitz immer austauschen. Der Sitz könnte nicht sichtbare Schäden haben, die die Sicherheit Ihres Kindes ernsthaft beeinflussen könnten. Aus diesem Grund rät Axkid vom Kauf von gebrauchten Kindersitzen ab.
- Sollte der Axkid One direktem Sonnenlicht ausgesetzt sein, vergewissern Sie sich bitte, dass der Kindersitz nicht zu heiß ist, bevor Sie Ihr Kind hineinsetzen.
- Lassen Sie Ihr Kind niemals unbeaufsichtigt allein im Auto zurück.
- Vergewissern Sie sich, dass jegliches Gepäck oder lose Gegenstände sicher verstaut sind, da herumfliegende Gegenstände Passagiere im Falle eines Unfalls verletzen können.
- Vergewissern Sie sich, dass der Axkid One so installiert ist, dass keine Teile von beweglichen Sitzen, Autotüren usw. eingeklemmt werden.
- Der Axkid One kann ausschließlich rückwärtsgerichtet installiert werden.
- Sorgen Sie stets dafür, dass der Sicherheitsgurt korrekt an die Statur Ihres Kindes angepasst ist. Die Gurthöhe wird durch die Bewegung der Kopfstütze angepasst.
- Stellen Sie stets sicher, dass der Rücken Ihres Kindes immer komplett im Kindersitz anliegt, wenn Sie Ihr Kind anschnallen.
- Schnallen Sie Ihr Kind stets straff an, stellen Sie sicher, dass das Gurtschloss geschlossen ist und sodass es nicht möglich ist, die Gurte zusammenzukneifen.
- Vergewissern Sie sich, dass die Gurte nicht verdreht sind.
- Der Stützfuß muss immer in der korrekten Position sein und Kontakt mit dem Boden des Fahrzeugs haben. Prüfen Sie, ob der Indikator auf dem Stützfuß grün anzeigt, und dass Sie keinen Piepton vom Stützfuß hören.
- Versuchen Sie niemals einen Teil vom Axkid One abzubauen oder baulich zu verändern. Die Garantie und die Sicherheitsfunktionen des Kindersitzes können davon maßgeblich beeinflusst werden.
- Benutzen Sie niemals der Axkid One Kindersitz ohne den Kindersitzbezug. Der Bezug ist ein fester Sicherheitsbestandteil des Sitzes und kann nur durch einen original Axkid Kindersitzbezug ersetzt werden.
- Lesen Sie das Handbuch Ihres Fahrzeugs sorgfältig durch, um zu überprüfen, welcher Sitzplatz für den Kindersitz geeignet ist.
- Axkid empfiehlt stets einen Trittschutz zu nutzen, um den Autositz vor Kratzern und Dreck zu schützen.
- Sollten Sie Fragen haben, wenden Sie sich an Ihren Händler, bei dem Sie den Kindersitz gekauft haben, oder kontaktieren Sie Axkid unter info@axkid.com.

Inhaltsverzeichnis

Komponenten	24
Erlaubte und unerlaubte Sitzpositionen des Axxid One Kindersitz	26
Installation des Axxid One im Fahrzeug	27
Neigungsverstellung des Axxid One Kindersitzes	28
Sitzverstellungen	29
Sitzanpassungen	29
Ausbau des Axxid One aus Ihrem Fahrzeug	30
Pflege und Wartung	30
Garantie	31

Komponenten



Schultergurte (A)	Kopfstützenverstellung (M)
Gurtschloss (B)	Beinfreiheitsverstellungsknopf (N)
Überrollbügelauflöser (C)	Rückseitiger Griff (O)
Überrollbügel (D)	Stützfußpositionsanzeiger (P)
Kopfstütze (E)	Stützfußlöseband (Q)
Augenhöhe Markierung (F)	Stützfuß (R)
ASIP pad (G)	Tonindikator (S)
Neigungsverstellungsknopf (H)	Gurtlöseknopf (T)
Stützfußverstellknopf (I)	Gurtstraffer (U)
ASIP Konnektor (J)	ISOFIX Verriegelungsindikator (V)
Überrollbügelknopf (K)	ISOFIX Knopf (X)
Seitlicher Bezug (L)	ISOFIX Konnektoren (Y)

Erlaubte und unerlaubte Sitzpositionen des Axxkid One Kindersitz

Der Axxkid One Kindersitz kann ausschließlich rückwärtsgerichtet und mit ISOFIX eingebaut werden. Er ist für alle i-Size geprüften Sitzplätze zugelassen und passt möglicherweise auch auf nicht-i-Size geprüfte Sitzplätzen. Überprüfen Sie das Bordhandbuch Ihres Fahrzeugs, um einen passenden Platz für den Kindersitz zu finden. Überprüfen Sie ebenfalls die Fahrzeugliste auf www.axkid.com.

Beifahrersitz mit ISOFIX (deaktivierter Airbag)	JA/NEIN*
Beifahrersitz mit ISOFIX (aktivierter Airbag)	NEIN
Rücksitzbanksitzplatz mit ISOFIX	JA
Seitlich oder rückwärtsgerichtete Autositze mit ISOFIX	NEIN
Autositz ohne ISOFIX	NEIN



WICHTIG: Wenn Sie Ihren Axxkid One auf einem Autositz installieren wollen, für den ein Frontalairbag installiert ist, muss der Airbag gemäß den Autoherstellerangaben deaktiviert werden. Bitte beachten Sie, dass manche Fahrzeuge dazu eine offizielle Werkstatt benötigen.

* Die allgemeine Verkehrsregelung in Spanien sieht in ihrem Artikel 117 das Verbot vor, mit Kindern mit einer Körpergröße von höchstens 135 Zentimetern auf den Vordersitzen des Fahrzeugs zu fahren, mit Ausnahmen.



Verwenden Sie den Kindersitz niemals auf Sitzplätzen mit aktiven Airbags.





Installation des Axkid One im Fahrzeug

1

Bevor Sie den Axkid One Kindersitz in Ihrem Fahrzeug installieren, minimieren Sie seinen Platzbedarf indem Sie den Beinfreiheitsverstellungsknopf (N) drücken und den Sitz in Richtung des Überrollbügels (D) bewegen. Klappen Sie den Stützfuß (R) herunter bis Sie ein Klick hören und der Stützfußpositionsanzeiger (P) grün ist.

2

Lösen Sie den Überrollbügelauslöser (C) und bewegen den Überrollbügel (D) in Richtung des Kindersitzes. Halten Sie den Überrollbügel (D) weiterhin mit einer Hand fest und greifen mit der anderen Hand den rückseitigen Griff (O) und heben den Axkid One in Ihr Fahrzeug mit dem Überrollbügel (D) zuerst. Drehen Sie den Sitz dann in eine rückwärtsgerichtete Position in Ihrem Fahrzeug.

3

Drücken Sie die ISOFIX Konnektoren (Y) in die ISOFIX Verankerungen Ihres Fahrzeugs bis Sie ein Klick hören und beide ISOFIX Verriegelungsindikatoren (V) grün anzeigen.

4

Lassen Sie den Überrollbügel (D) los, der sich dann von selbst in Richtung des Autositzes spannen wird. Sobald er stoppt, drehen Sie den Überrollbügelknopf (K) im Uhrzeigersinn bis Sie ein Klick hören. Der Überrollbügel (D) sollte fest gegen den Autositz gepresst sein. Der Überrollbügelknopf (K) hat einen eingebauten Drehmomentbegrenzer und das Klick-Geräusch weißt darauf hin, dass der Überrollbügel (D) korrekt festgespannt wurde und nicht weiter spannbar ist.

5

Drücken Sie den Stützfußverstellungsknopf (I) und ziehen Sie den Stützfuß (R) soweit herunter, bis der den Fahrzeugboden berührt. Lassen Sie den Stützfußverstellungsknopf (I) los und heben den Kindersitz hoch, um den Stützfuß (R) weiter auszufahren bis Sie ein Klick hören. Der Stützfuß (R) sollte nun verriegelt sein und fest auf dem Fahrzeugboden stehen. Bemerkung: Der Axkid One Kindersitz ist mit einem Tonindikator (S) ausgestattet, der piept, bis der Stützfuß (R) fest auf dem Fahrzeugboden steht und damit die korrekte Installation anzeigt.

6

Drücken Sie das ASIP Pad (G) in die Aussparungen des ASIP Konnektors (J) und schieben es nach unten, bis das ASIP Pad (G) einklickt. Sollte eine Plastikkappe auf dem ASIP Konnektor (J) angebracht sein, nehmen Sie diese ab und setzen es auf den ASIP Konnektor (J) auf der gegenüberliegenden Seite des Kindersitzes, bevor Sie das ASIP Pad (G) anbringen. Vergewissern Sie sich, dass das ASIP Pad (G) auf der Seite angebracht wird, die sich am nächsten zur Fahrzeughür befindet.



Neigungsverstellung des Axxkid One Kindersitzes

Bevor Sie den Neigungswinkel für Ihr Kind im Axxkid One einstellen, stellen Sie sicher, dass die korrekten Inlays im Kindersitz genutzt werden. Der Axxkid One ist design, um mit Ihrem Kind mitzuwachsen und Ihrem Kind Sicherheit und Bequemlichkeit zu gewährleisten.

Axxkid empfiehlt Ihnen, das relevante Inlay zu nutzen, bis es zu eng für Ihr Kind ist, aber mindestens bis zur minimalen Länge gemäß der untenstehenden Tabelle (bitte beachten Sie, dass das Alter nur einen Anhaltspunkt sein soll).

Alter	Größe	
Baby 0-6 Monate (ausschließlich Axxkid One +)	0 – 60 cm	
Kleinkind 0-3 Jahre	61 – 105 cm	
Kind 3-7 Jahre	106 – 125 cm	

7

Lockern Sie den Gurt indem Sie den Gurtlöseknopf (T) drücken und ziehen Sie beide Schultergurte (A) gleichzeitig heraus. Vermeiden Sie es, nur einen Schultergurt (A) herauszuziehen, weil die Schultergurte (A) sonst ungleichmäßig sein könnten.

8

Drücken Sie das Gurtschloss (B) öffnen es und legen Sie die Schultergurte (A) nach aussen über die Seitenwangen des Kindersitzes.

9

Setzen Sie Ihr Kind in den Kindersitz und platzieren die Schultergurte (A) über die Schultern Ihres Kindes. Schließen Sie das Gurtschloss (B), indem Sie zuerst indem die Teile des Gurtschlusses, die an den Schultergurten (A) befestigt sind, zusammenführen und in das Gurtschloss (B) zusammen einführen, bis Sie ein Klick hören.

10

Passen Sie die Kopfstütze (E) an, bis die Augenhöhe Markierungen (F) auf gleicher Höhe, wie die Augen Ihres Kindes sind, indem Sie die Kopfstützenverstellung (M) drücken und nach oben oder unten schieben. Bemerkung: die Augenhöhe Markierungen (F) sollen nicht beachtet werden, wenn der Babyeinsatz (nur beim Axxkid One +) genutzt wird. Wenn Sie ein Axxkid One + für Babys mit dem Babyeinsatz nutzen, stellen Sie die Kopfstütze (E) immer in die niedrigste Position.

11

Überprüfen Sie, dass die Schultergurte (A) gerade auf Schulterhöhe Ihres Kindes oder maximal 1cm höher aus dem Sitz kommen. Sie müssen möglicherweis die Kopfstütze (E) noch einmal anpassen, auch wenn die Augenhöhe Markierungen (F) dann nicht mehr mit der tatsächlichen Augenhöhe Ihres Kindes übereinstimmen. Ziehen Sie nun die Schultergurte (A) fest, um die Gurte, die über der Hüfte Ihres Kindes verlaufen, festzuziehen. Halten Sie die Schultergurte (A) gespannt während Sie nun den Gurtstraffer (U) ziehen, bis die Gurte eng genug sind. Es sollte nicht



mehr möglich sein, mehr als einen Finger zwischen die Schultergurte (A) und die Schultern Ihres Kindes zu bringen.

Sitzverstellungen

Nachdem Sie den Axkid One in Ihrem Fahrzeug installiert haben, können Sie die Beinfreiheit und die Neigungsverstellung für Ihr Kind sehr einfach verstellen. Sie können diese Einstellungen auch vornehmen, wenn Ihr Kind angeschnallt im Kindersitz sitzt.

Axkid empfiehlt für einen passenden Einbau und die beste Sicherheit für Ihr Kind, dass Sie sich an den am Kindersitz seitlich angebrachten Positionen orientieren. Es ist wichtig, dass Sie den Sitz an den Wachstumsprozess Ihres Kindes anpassen, indem Sie die Neigungspositionen immer aufrechter einstellen, da eine aufrechte Position den best möglichen Schutz für den Nacken Ihres Kindes im Falle eines Unfalls bietet. Die Größenangaben richten sich nach der Körpergröße Ihres Kindes. Vergewissern Sie sich, dass sich beide Pfeile in der korrekten Zone befinden.

Alter	Größe	
Baby 0-6 Monate (nur beim Axkid One +)	Maximale Neigung Geringste Beinfreiheit	<p>0-60 cm</p>
Kleinkind 0-3 Jahre	Alle Neigungspositionen Mehrere Beinfreiheitspositionen	<p>61-105 cm</p>
Kind 3-7 Jahre	Maximal aufrechte Position Größt mögliche Beinfreiheit	<p>106-125 cm</p>

Sitzanpassungen

- Drücken Sie den Beinfreiheitsverstellungsknopf (N) und schieben Sie den Sitz vorwärts oder rückwärts. Halten Sie den Axkid One am rückseitigen Griff (O) fest, um zu vermeiden, dass der Kindersitz sich aus Versehen vorwärts bewegt, bevor Sie den Beinfreiheitsverstellungsknopf (N) drücken.



- Die Neigungsposition des Kindersitzes kann über Drehen des Neigungsverstellknopfes (H) angepasst werden.

Ausbau des Axxid One aus Ihrem Fahrzeug

- Drücken Sie den Stützfußverstellknopf (I) und schieben den Stützfuß (R) in die kürzeste Position zusammen.
- Schieben Sie den Überrollbügel auslösen (C) zur Seite und bewegen den Überrollbügel (D) in Richtung des Kindersitzes, um die Spannung gegen den Fahrzeugsitz zu lösen.
- Lösen Sie die ISOFIX Konnektoren (Y), indem Sie die ISOFIX Knöpfe (X) drücken und sie rückwärts vom Autositz weg herausziehen.
- Halten Sie den Überrollbügel (D) weiter mit einer Hand und fassen mit der anderen Hand den rückseitigen Griff (O) und heben den Axxid One aus Ihrem Fahrzeug heraus.
- Klappen sie den Stützfuß (R) nach oben, indem Sie das Stützfußlöseband (Q) ziehen und dann den Stützfuß (R) hoch klappen.

Pflege und Wartung

- Der Kindersitzbezug kann bei 30 ° Grad im Schonwaschgang gewaschen werden. Geben Sie den Bezug nicht in den Trockner, da der Bezug beschädigt werden könnte und Polsterungen sich vom Bezug lösen könnten. Auf www.axxid.com finden Sie Anleitungsvideos, wie der Bezug auf- und abgezogen werden kann.
- Um den Bezug vom Kindersitz abziehen, ziehen Sie den seitlichen Bezug (L) vom Sitz ab und nehmen lösen den Klettverschluss. Öffnen Sie die Reißverschlüsse auf der Rückseite des Kindersitzes und nehmen den Bezug vorsichtig vom Kindersitz ab. Versuchen Sie sich zu merken, wie der Bezug am Kindersitz befestigt ist, sodass das Aufziehen einfacher wird. Beim Wiederaufziehen des seitlichen Bezuges (L) führen Sie es unter dem Aluminiumrahmen durch und drücken ihn zurück in Befestigung. Um den Kopfstützenbezug zu entfernen, öffnen Sie die Reißverschlüsse unten an der Kopfstütze und entfernen den Bezug vorsichtig.
- Sollte es notwendig sein, dass Sie den Bezug ersetzen müssen, vergewissern Sie sich bitte, dass Sie einen Originalbezug von Axxid erwerben. Sollten Sie einen anderen Bezug nutzen, ist die Sicherheit des Axxid Ones möglicherweise beeinträchtigt und dies könnte zu einer schweren Verletzung im Falle eines Unfalls führen.
- Alle Plastikteile des Axxid One Kindersitzes können mit einem milden Reinigungsmittel und Wasser gereinigt werden. Nutzen Sie keine aggressiven chemischen Reiniger, die das Plastik des Sitzes schädigen könnten und so die Sicherheit des Kindersitzes beeinträchtigen können.
- Alle Materialien des Axxid Ones sind recyclebar und sollte nach den local geltenden Richtlinien recycled werden. Fragen Sie bei Ihrem lokalen Recyclingcenter nach, wenn Sie den Sitz recyceln wollen.
- Der Tonindikator (S) beinhaltet eine ersetzbare CR1632 Batterie. Bitte entfernen und recyceln Sie die Batterie gemäß der local geltenden Richtlinien, wenn Sie den Axxid One nicht mehr nutzen möchten. Schrauben Sie dazu die beiden Schrauben unten am Stützfuß (R) heraus und entfernen Sie en Deckel, um an die Batterien heranzukommen.
- Führen Sie keine Veränderungen oder Anpassungen am Axxid One, die nicht in dieser Bedienungsanleitung beschrieben sind.
- Jegliche Reparaturen müssen vom Hersteller oder einem vom Hersteller autorisierten Händler durchgeführt werden.

Garantie

Für den Axxid One wird eine 24-monatige Herstellergarantie ab Kaufdatum gewährt. Vergewissern Sie sich, dass Sie den Kaufbeleg aufheben und bringen Sie den Beleg zu Ihrem Händler mit, wenn Sie Garantieansprüche geltend machen wollen.

Die Garantie beinhaltet nicht:

- Normale Abnutzung
- Schäden aufgrund von Fehlnutzung, Nachlässigkeit oder Unfällen.
- Reparaturen, die von nicht autorisierten Personen durchgeführt wurden.
- Alle Materialien haben eine sehr hohe UV-Beständigkeit. Trotzdem ist UV-Licht sehr aggressive und führt letztlich zu einem Ausbleichen des Sitzbezuges. Diese Ausbleichen ist von unserer Herstellergarantie ausgeschlossen, da es eine normale Abnutzung ist.
- Nutzen Sie den Sitz vorsichtig. Beachten Sie, dass der Mesh-Stoff auf der Rückseite des Kindersitzes sich schnell aufkratzt und Schäden daran, die nicht seitens der Herstellung verursacht sind, von unserer Herstellergarantie ausgeschlossen sind.

Gracias por elegir la silla de seguridad infantil

Axkid One

Lea atentamente este manual de instrucciones antes de instalar la silla Axkid One en su vehículo. Para más información y videos sobre su instalación, visite nuestra web www.axkid.com

Axkid One 2 es una silla de seguridad a contramarcha recomendada para niños de entre 61 y 125 cm de altura o con un peso máximo de 23 kg.

Axkid One+ 2 es una silla de seguridad a contramarcha recomendada para niños de entre 40 y 125 cm de altura o con un peso máximo de 23 kg.

Axkid One es una silla de seguridad con homologación i-Size. Está testada y certificada según la norma europea UN No. 129 de sistemas de retención infantil, para su instalación en asientos de vehículos compatibles con la norma i-Size según indique el manual del fabricante del vehículo. Si tiene cualquier duda, consulte con el fabricante (www.axkid.com) o con su tienda.

Información importante

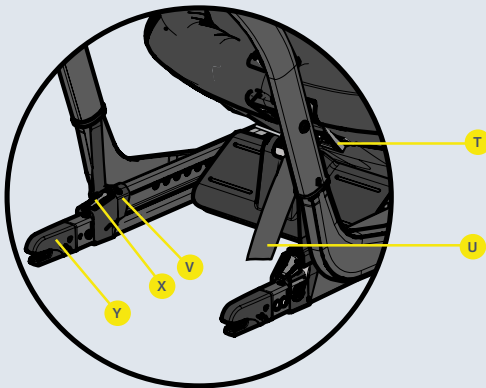
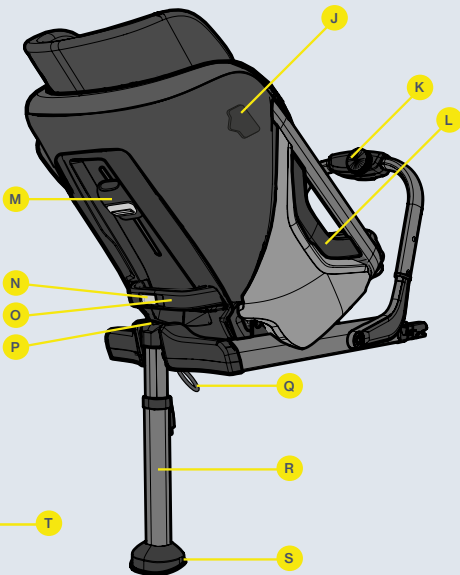
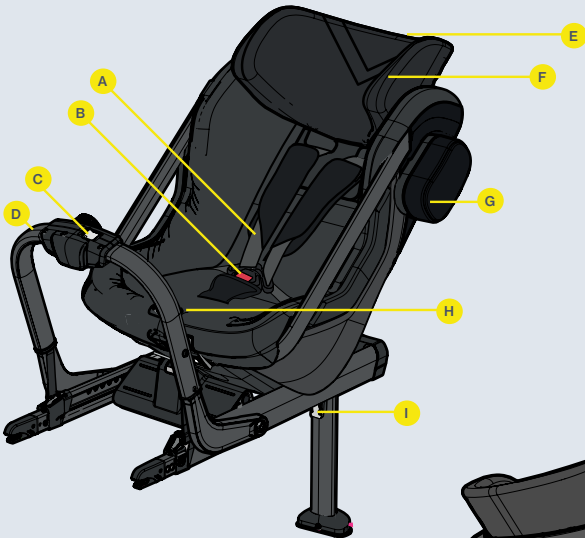
Para maximizar la seguridad de su hijo, es importante que recuerde lo siguiente:

- Siga siempre las instrucciones de este manual. Una instalación incorrecta puede poner en peligro la seguridad de su hijo. Si tiene cualquier duda, contacte con su tienda, donde le asesorarán para una correcta instalación.
- Conserve este manual de instrucciones para futuras consultas. Si pierde el manual, puede descargárselo online en www.axkid.com
- Nunca instale la silla Axkid One en el asiento de un vehículo que tenga instalado un airbag frontal. Si quiere instalar la silla Axkid One de todas formas, el airbag debe ser desconectado siguiendo las instrucciones del fabricante del vehículo.
- En caso de accidente de tráfico, por pequeño que sea, sustituya siempre la silla de seguridad por una nueva. La silla podría tener algún daño invisible que no se detecte a simple vista y poner seriamente en peligro la seguridad de su hijo. Por esta razón Axkid no recomienda adquirir sillas de seguridad de segunda mano.
- Si la silla Axkid One ha estado expuesta a luz directa del sol, asegúrese de que la silla no está demasiado caliente al sentar al niño.
- Nunca deje al niño solo desatendido en el vehículo.
- Asegúrese de que cualquier equipaje o carga que lleve en el vehículo queden firmemente sujetos. Así evitará lesiones al niño y a los demás pasajeros en caso de colisión.
- Asegúrese de instalar la silla Axkid One de forma que ninguna parte de la silla quede aprisionada por asientos móviles, puertas del vehículo, etc.
- La silla Axkid One solo puede ser instalada a contramarcha, es decir, mirando hacia atrás.
- Asegúrese siempre de que el arnés se ajusta correctamente al cuerpo del niño. El arnés se ajusta moviendo el reposacabezas.
- Compruebe que la espalda del niño esté totalmente apoyada en la silla al instalar el arnés del niño.
- Asegúrese siempre de que el arnés esté firmemente tenso ajustado al niño y de que el broche del arnés esté correctamente abrochado, de forma que no quede suelto ningún tramo del cinturón del arnés.
- Compruebe que el cinturón del arnés esté liso, que no esté torcido en ningún punto.
- Compruebe siempre que la pata de apoyo está en posición correcta y en contacto con el suelo del vehículo. Compruebe que el indicador en la parte superior de la pata de apoyo está en color verde, y que no suena ningún pitido desde la base de la pata de apoyo.
- No intente desmontar ni modificar ninguna parte de la silla Axkid One. Hacerlo puede afectar a la garantía y a la seguridad efectiva del producto.
- Nunca use la silla Axkid One sin la funda textil. La funda textil es un componente del sistema de seguridad y solo puede ser reemplazada por otra funda Axkid original.
- Lea el manual del vehículo para comprobar cuáles son los asientos del vehículo en los que se puede instalar la silla.
- Axkid recomienda siempre usar un protector de asiento para proteger el asiento del vehículo de rasguños y suciedad.
- Si tiene cualquier duda, contacte con la tienda donde compró la silla o contacte con nosotros en el email info@axkid.com

Índice

Partes	34
Asientos de vehículo permitidos y no permitidos para la instalación de la silla Axkid One	36
Instalación de la silla Axkid One en el vehículo	37
Proteger al niño con la silla Axkid One	38
Indicadores de ajuste de la silla Axkid One	39
Ajustes de la silla Axkid One	39
Desinstalación de la silla Axkid One del vehículo	40
Cuidado y mantenimiento	40
Garantía	41

Partes



Tirantes del arnés (A)	Botón de ajuste del reposacabezas (M)
Botón para desabrochar el arnés (B)	Botón de ajuste del espacio para las piernas (N)
Botón de desbloqueo de la barra frontal (C)	Barra trasera (O)
Barra frontal (D)	Indicador de posición de la pata de apoyo (P)
Reposacabezas (E)	Correa de liberación de la pata de apoyo (Q)
Indicador de altura de los ojos del niño (F)	Pata de apoyo (R)
Almohadilla ASIP (G)	Indicador sonoro (S)
Botón de posición de inclinación (H)	Botón de desbloqueo del arnés (T)
Botón de la pata de apoyo (I)	Correa para tensar el arnés (U)
Conector ASIP (J)	Indicador de sujeción ISOFIX (V)
Botón de fijación de la barra frontal (K)	Botón ISOFIX (X)
Funda lateral (L)	Conector ISOFIX (Y)

Asientos de vehículo permitidos y no permitidos para la instalación de la silla Axxkid One

La silla Axxkid One solo puede instalarse mirando a contramarcha con ISOFIX. Está homologada para ser instalada en cualquier asiento de vehículo adaptado a la norma i-Size, aunque también podría instalarse en otros asientos con ISOFIX no aptos según i-Size. Es importante que compruebe el manual de instrucciones del vehículo para ver en qué asientos puede instalar la silla Axxkid One, puede comprobar la lista de vehículos en www.axkid.com.

Asiento delantero o del copiloto con ISOFIX (airbag desconectado)	SÍ / NO*
Asiento delantero o del copiloto con ISOFIX (airbag conectado)	NO
Asiento trasero con ISOFIX	SÍ
Asiento mirando de lado y mirando hacia atrás	NO
Asiento sin ISOFIX	NO



IMPORTANTE: Si quiere instalar la silla Axxkid One en un asiento que tenga airbag frontal, el airbag debe ser desconectado siguiendo las instrucciones del manual del vehículo. Tenga en cuenta que algunos vehículos requieren de un servicio técnico autorizado para desconectar el airbag.

* El Reglamento General de Circulación en España, en su artículo 117, establece la prohibición de circular con menores de estatura igual o inferior a 135 centímetros situados en los asientos delanteros del vehículo, salvo excepciones.



Nunca instale una silla de seguridad en el asiento de un vehículo con el airbag activado.





Instalación de la silla Axxkid One en el vehículo

ES

1

Antes de instalar la silla Axxkid One en el vehículo, minimice su tamaño liberando el botón de ajuste de espacio para las piernas (N) y deslizando la silla hacia la barra frontal (D). Despliegue la pata de apoyo (R) hasta que oiga un clic y el indicador de posición de la pata de apoyo (P) se ponga de color verde.

2

Libere el botón de desbloqueo de la barra frontal (C) y pliegue la barra frontal (D) hacia la silla. Sujete la barra frontal (D) con una mano y agarre la barra trasera (O) con la otra mano, introduzca la silla en el vehículo empezando por la barra frontal (D) y luego coloque la silla en el asiento del vehículo en posición a contramarcha.

3

Inserte los conectores ISOFIX (Y) en los puntos de conexión ISOFIX del vehículo hasta que oiga un clic y ambos indicadores de sujeción ISOFIX (V) se pongan de color verde.

4

Suelte la barra frontal (D), que empezará a tensarse sola contra el asiento del vehículo. Cuando esto acabe, gire el botón de fijación de la barra frontal (K) en el sentido del reloj hasta sentir y oír un clic, en ese momento la barra frontal estará firmemente tensa contra el asiento del vehículo. El botón de fijación de la barra frontal (K) tiene un limitador de par y el clic indica que la barra frontal (D) está tensada correctamente y no puede tensarse más.

5

Pulse el botón de la pata de apoyo (I) y tire de la pata de apoyo (R) hacia abajo hasta que toque el suelo del vehículo. Suelte el botón de la pata de apoyo (I) y eleve la silla hacia arriba para extender un poco más la pata de apoyo (R) hasta oír un clic. La pata de apoyo (R) estará ahora fijada y presionando firmemente contra el suelo, lo que indica que la instalación es correcta.

6

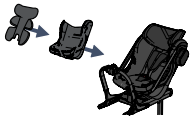


Empuje la almohadilla ASIP (G) en la ranura del conector ASIP (J) y deslícela hacia abajo, para que la almohadilla ASIP (G) se coloque en su sitio. Si hubiera una tapadera de plástico en el conector ASIP (J), quítela de ese lado y póngasela al conector ASIP (J) del otro lado antes de colocar la almohadilla ASIP (G). Asegúrese de que coloca la almohadilla ASIP (G) en el lado de la silla más cercano a la puerta del vehículo.



Proteger al niño con la silla Axxkid One

Antes de llevar al niño en la silla Axxkid One, asegúrese de que tiene los adaptadores apropiados instalados en la silla. Axxkid One está diseñada para crecer con el niño de forma segura y cómoda.

Axxkid recomienda usar los adaptadores correspondientes en cada momento hasta que el espacio sea demasiado estrecho para el niño, siempre teniendo en cuenta la altura mínima según la siguiente tabla (tener en cuenta que la edad es solo indicativa):

Edad	Altura	
Bebé 0-6 meses (Axxkid One +, que incluye adaptador para bebé)	0 – 60 cm	
Niño pequeño 0-3 años	61 – 105 cm	
Niño mayor 3-7 años	105 – 125 cm	

7

Afloje el arnés presionando el botón para soltar el arnés (T) y tire de ambos tirantes del arnés (A) a la vez. Evite tirar de un solo tirante a la vez ya que ello puede hacer que los tirantes del arnés (A) estén disparejos.

8

Abra el broche presionando el botón para desabrochar el arnés (B) y sitúe los tirantes fuera de la silla.

9

Siente al niño en la silla y coloque los tirantes del arnés (A) por encima de sus hombros. Para abrochar el arnés, primero junte las piezas al final de los tirantes del arnés (A) e introdúzcalas en el broche hasta oír un clic.

10

Ajuste el reposacabezas (E) hasta que los indicadores de ángulo de visión (F) estén en línea con los ojos del niño, y para ello empuje ambos botones de ajuste del reposacabezas (M) y deslícelo hacia abajo o hacia arriba según sea conveniente. Nota: los indicadores de ángulo de visión (F) no se usarán mientras sea necesario usar el adaptador para bebés (modelo Axxkid One +). Cuando use Axxkid One + con adaptador, asegúrese siempre de que el reposacabezas está en la posición más baja.

11

Compruebe que los tirantes del arnés (A) salen de la silla hacia delante desde los hombros del niño o como máximo 1 cm por encima. Es posible que tenga que ajustar el reposacabezas (E) de nuevo, incluso si ello conlleva que los indicadores de ángulo de visión no estén en línea con los ojos del niño. A continuación, tire de los tirantes del arnés (A) para tensar el arnés sobre las caderas del niño. Mientras mantiene la tensión de los tirantes del arnés (A), tire de la correa para tensar el arnés (U) hasta que el arnés esté lo suficientemente tenso, siendo un indicador de esto el no poder meter más de un dedo entre los tirantes del arnés (A) y los hombros del niño.



Indicadores de ajuste de la silla Axxkid One

ES

Después de instalar la silla Axxkid One en el vehículo, puede ajustar fácilmente el espacio para las piernas y la posición de reclinado más convenientes para el niño. Ambas cosas también pueden hacerse mientras el niño está sentado cómodamente en la silla.

Para asegurar una instalación adecuada en cualquier vehículo y dar la máxima protección y seguridad al niño, Axxkid recomienda guiarse por las marcas señaladas en los laterales de la silla. Conforme el niño va creciendo es importante ir ajustando la reclinación de la silla a una posición más recta, para ofrecer así la mayor protección posible al cuello del niño en caso de colisión.

Las marcas indicativas se basan en la altura del niño. Asegúrese de que ambas flechas señalan los datos correctos.

Edad	Ajuste	
Bebé 0-6 meses (Axxkid One + adaptador)	Reclinación máxima Espacio para piernas mínimo	
Niño pequeño 0-3 años	Todas las posiciones de reclinación Varias posiciones de espacio para piernas	
Niño mayor 3-7 años	Reclinación vertical máxima Espacio para piernas máximo	

Ajustes de la silla Axxkid One

- El espacio para las piernas se regula liberando el botón de ajuste del espacio para las piernas (N) y deslizando la silla hacia delante o hacia atrás. Para evitar que la silla se mueva hacia delante accidentalmente, tirar de la barra trasera (O) hacia atrás suavemente antes de liberar el botón de ajuste del espacio para las piernas (N).
- La postura de reclinación de la silla Axxkid One se regula moviendo el botón de posición de reclinación (H).



Desinstalación de la silla Axxkid One del vehículo

- Pulse el botón de la pata de apoyo (I) y deje anclada la pata de apoyo (R) en la posición más corta
- Deslice el botón de desbloqueo de la barra frontal (C) y doble la barra frontal (D) hacia la silla Axxkid One para eliminar la tensión contra el asiento del vehículo.
- Desconecte los conectores ISOFIX (Y) presionando los botones ISOFIX (X) y desplazándolos hacia atrás lejos de la silla.
- Sujete la barra frontal (D) con una mano y agarre la barra trasera (O) con la otra mano, y saque la silla del vehículo.
- Pliegue la pata de apoyo (R) tirando de la correa de liberación de la pata de apoyo (Q) y doblando la pata de apoyo (R) hacia arriba.

Cuidado y mantenimiento

- La funda textil puede lavarse a máquina a 30° C usando el programa de lavado para prendas delicadas. No secar la funda en la secadora, ya que esto puede dañar el tejido y hacer que el relleno se separe de la tela. En nuestra web www.axxkid.com puede ver videos explicando cómo quitar y poner la funda.
- Para quitar la funda textil de la silla Axxkid One, tire de la funda lateral (L) hacia fuera y desenganche el Velcro. Abra las cremalleras en la parte trasera y con cuidado quite la funda de la silla. Fíjese en cómo está puesta, para que sea más fácil volver a ponerla después. Cuando vuelva a poner la funda lateral (L), insértela por debajo del marco de aluminio y empújela hacia abajo hasta colocarla en su sitio. Para quitar la funda del reposacabezas, abra las cremalleras en la parte inferior del reposacabezas y quite la funda con cuidado.
- Si tiene que sustituir la funda, asegúrese de adquirir solo productos originales de Axxkid. Si usa productos de otros fabricantes, el sistema de seguridad de la silla puede verse afectado, lo que puede ocasionar lesiones graves al niño en caso de colisión.
- Los componentes de plástico de la silla Axxkid One pueden ser limpiados con agua y detergente suave. No use para su limpieza productos químicos agresivos que contengan disolventes o productos similares, porque estos pueden dañar el plástico y comprometer la seguridad de la silla.
- Todos los materiales usados en la fabricación de la silla Axxkid One son reciclables y deben ser reciclados y eliminados según su legislación local. Pregunte a su centro de reciclaje más cercano sobre el reciclaje de este producto.
- El indicador sonoro (S) contiene una pila reemplazable CR1632. Por favor, quite y recicle la pila según la normativa vigente en su país cuando deje de usar la silla. Desatornille los dos tornillos en la parte inferior de la pata de apoyo (R) y quite la funda para poder acceder a la pila.
- No haga ninguna reparación ni cambio a la silla Axxkid One, excepto los descritos en este manual de instrucciones.
- Cualquier reparación debe ser realizada por el fabricante o por la tienda.

Garantía

La silla de seguridad infantil Axkid One está cubierta por una garantía de 24 meses desde la fecha de compra. Asegúrese de guardar el ticket de compra en caso de reclamación de la garantía.

La garantía no cubre:

- El desgaste normal del producto.
- Daños producidos por un uso incorrecto del producto, negligencia o accidente.
- Reparaciones hechas por terceras personas.
- Todos los materiales usados en la fabricación tienen muy alta resistencia a la luz ultravioleta UV. Sin embargo, la radiación ultravioleta del sol es muy agresiva y a la larga puede afectar al color de la funda de la silla. Esto no está cubierto por la garantía, ya que se considera un desgaste normal del producto.
- Manejar con cuidado. Tener en cuenta que el tejido de red en la parte posterior de la silla puede sufrir rasguños y acabar dañado con facilidad. La garantía solo cubre daños en el tejido que tengan origen en su fabricación.

Grazie per aver scelto Axkid One

Leggere le istruzioni per l'uso prima di installare l'Axkid One nell'auto. Per ulteriori informazioni e video didattici, visitare www.axkid.com.

Axkid One 2 è un seggiolino auto adatto a bambini di altezza compresa tra 61 e 125 cm e un peso massimo di 23 kg.

Axkid One+ 2 è un seggiolino auto adatto a bambini di altezza compresa tra 40 e 125 cm e un peso massimo di 23 kg.

Axkid One è un seggiolino auto per bambini conforme alla norma UN R129 (i-Size), destinato all'uso nei luoghi indicati come compatibili dalla casa automobilistica nel manuale del veicolo. In caso di dubbi, contattare il produttore (www.axkid.com) o il rivenditore.

Informazioni importanti

Per mantenere il livello ottimale di sicurezza per il tuo bambino, assicurati di seguire le linee guida seguenti:

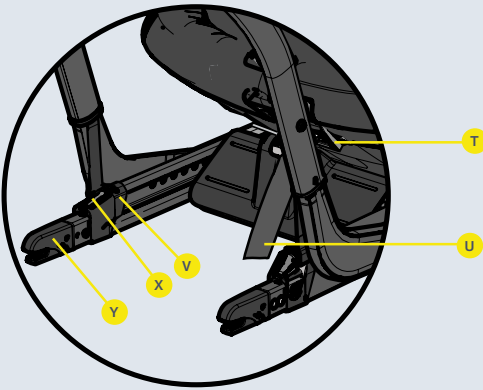
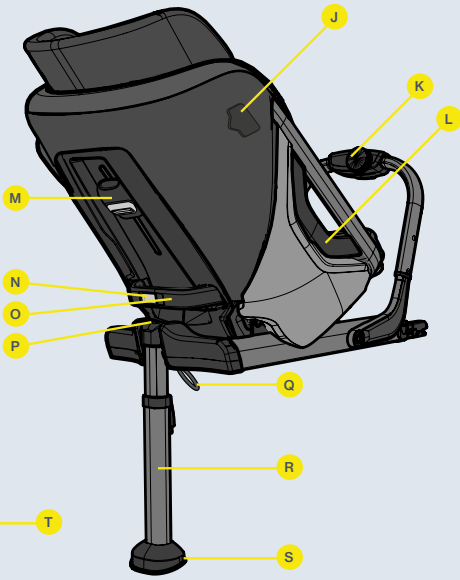
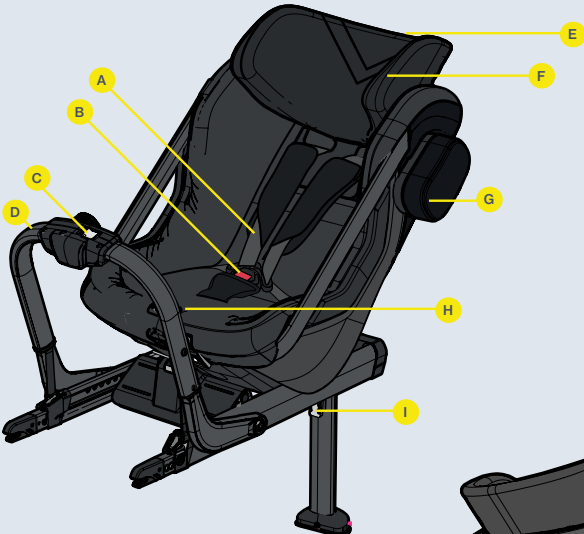
- Utilizzare sempre il seggiolino secondo le seguenti istruzioni. Un uso scorretto potrebbe mettere in pericolo la vita salute del tuo bambino. In caso di dubbi, contattare il rivenditore.
- Conservare le seguenti istruzioni in caso di dubbi in futuro. La versione digitale del manuale è scaricabile dal sito www.axkid.com
- Non utilizzare l'Axkid One su un sedile con un airbag passeggero attivo. Per una corretta installazione in un tale sedile è necessario disattivare l'airbag come descritto nel manuale del veicolo.
- In caso di incidente, anche se di minima entità, il seggiolino deve essere sostituito, in quanto può avere danni non visibili a occhio nudo e il suo uso continuato potrebbe influire negativamente sulla sicurezza del bambino. Per questo motivo, Axkid sconsiglia l'acquisto di seggiolini di seconda mano.
- Se il seggiolino è stato esposto alla luce solare, prima di mettere il bambino al suo interno assicurarsi che non sia troppo caldo.
- Non lasciare mai il bambino incustodito in macchina.
- Assicurarsi che tutti i bagagli e gli oggetti sfusi siano adeguatamente fissati, poiché in un possibile incidente potrebbero mettere in pericolo l'incolumità dei passeggeri.
- Assicurarsi che dopo aver installato il seggiolino, non sia incastrato tra i sedili, le porte dell'auto ecc.
- L'Axkid One può essere montato solo rivolto all'indietro.
- Prima di ogni utilizzo assicurarsi che l'imbracatura del seggiolino è correttamente regolata all'altezza del bambino. L'imbracatura si regola spostando il poggiatesta su e giù.
- Prima di allacciare il bambino assicurarsi che la schiena del bambino sia ben aderente al seggiolino.
- Assicurarsi che l'imbracatura sia ben tesa quando il bambino è legato. Non dovrebbe essere possibile pizzicare l'imbracatura.
- Assicurati che l'imbracatura non sia attorcigliata.
- Assicurarsi che la gamba di supporto del sedile sia nella posizione corretta e appoggi contro il pavimento del veicolo.
- Controllare che l'indicatore sul piedino sia verde e che non si senta un bip per indicare che la gamba non è installata correttamente.
- Non tentare di smontare il sedile o apportare modifiche da soli. In caso contrario, la garanzia potrebbe essere invalidata e la sicurezza del bambino potrebbe essere compromessa.
- Non utilizzare mai il seggiolino senza il rivestimento in tessuto. Il rivestimento è la parte di sicurezza del seggiolino e può essere sostituito solo da un rivestimento originale Axkid.
- Leggere il manuale d'uso della auto per vedere su quali sedili puoi montare il seggiolino.
- Axkid consiglia l'uso di un coprisedile per proteggere il sedile dell'auto da danni e sporco.
- In caso di problemi, contattare il venditore o scrivere a info@axkid.com.

Indice

Elementi	44
Posizioni consentite e vietate in macchina	46
Montaggio del seggiolino Axkid One in macchina	47
Sistemazione del bambino nel seggiolino	48
Adattamento del seggiolino al bambino	49
Regolazione del seggiolino	49
Rimozione del seggiolino dall'auto	50
Cura e manutenzione	50
Garanzia	51

IT

Elementi



Imbracatura (A)	Pulsanti di regolazione del poggiatesta (M)
Pulsante di rilascio dell'imbracatura (B)	Pulsante di regolazione dello spazio per le gambe (N)
Pulsante di rilascio del telaio antirotazione (C)	Maniglia posteriore (O)
Telaio antirotazione(D)	Indicatore posizione del piede di supporto (P)
Poggiatesta (E)	Cinghia di rilascio del blocco della gamba(Q)
Indicatore del livello dell'occhio(F)	Gamba di sostegno (R)
Protezione ASIP (G)	Indicatore sonoro (S)
Manopola di regolazione dell'inclinazione(H)	Pulsante di regolazione dell'imbracatura (T)
Pulsante di regolazione della gamba di sostegno (I)	Cinghia di tensionamento dell'imbracatura (U)
Connettore ASIP (J)	Indicatore di fissaggio ISOFIX (V)
Manopola di regolazione del telaio antirotazione (K)	Pulsanti ISOFIX (X)
Protezione laterale della tappezzeria (L)	Connettori ISOFIX (Y)

Posizioni consentite e vietate in macchina

Axkid One può essere installato solo utilizzando i connettori ISOFIX, rivolto all'indietro. La sua installazione è consentita in tutti i punti dell'auto contrassegnati con i-Size, può anche essere installato su sedili che sono dotati di sistemi ISOFIX ma non portano il simbolo i-Size. Per trovare il posto giusto per l'installazione, leggere il manuale dell'auto e l'elenco dei veicoli approvati su www.axkid.com.

Sedile passeggero anteriore dotato di ISOFIX (senza airbag attivo)	SI / NO*
Sedile del passeggero anteriore dotato di Isofix (airbag attivo)	NO
Sedile passeggero posteriore con ISOFIX	SI
Sedili non dotati di ISOFIX	NO
Sedile posizionato lateralmente o all'indietro con ISOFIX	NO



IMPORTANTE: Se si desidera installare Axkid One su un sedile con airbag passeggero, l'airbag deve essere inattivo. Alcuni veicoli richiedono una visita in un'officina autorizzata per disattivare l'airbag del passeggero.

* L'articolo 117 del Codice della Strada spagnolo proibisce il trasporto di bambini di altezza inferiore a 135 cm sul sedile anteriore, senza eccezioni



Non installare mai il seggiolino su un sedile del passeggero con un airbag attivo.





Installazione AxkidOne a bordo dell'auto

1 Prima di installare il sedile minimizzarne l'ingombro premendo il pulsante di regolazione vano piedi (N) e avvicinando il sedile al telaio antirotazione (D). Allargare la gamba di supporto (R) finché non si sente uno scatto e l'indicatore di posizione della gamba di supporto (P) diventa verde.

2 Premere il pulsante di regolazione del telaio antirotazione (C) e piegare il telaio (D) verso la seduta del seggiolino. Tenendo il telaio antirotazione (D) con una mano e la maniglia posteriore (O) con altra mano, sollevare il seggiolino, inserirlo in vettura con il telaio (C) in avanti e portarlo nella posizione rivolta all'indietro.

3 Premere i connettori ISOFIX (Y) contro i supporti metallici ISOFIX finché non si sente un clic e si nota un colore verde su entrambi gli indicatori di attacco ISOFIX (V).

4 Liberare il telaio antirotazione (D), che inizierà automaticamente a premere contro lo schienale del sedile dell'auto. Ruotare la manopola di regolazione del telaio (K) in senso orario fino a sentire uno scatto. Il telaio antirotazione (D) dovrebbe ora essere premuto saldamente contro lo schienale del sedile. La manopola di regolazione del telaio (K) ha un limitatore di rotazione incorporato, un clic del meccanismo indica il massimo serraggio possibile del telaio antirotazione (D) contro lo schienale del sedile.

5 Premere il pulsante di regolazione della gamba di supporto (I) e tirare la gamba di supporto (R) verso il basso fino a toccare il pavimento dell'auto. Rilasciare il pulsante di regolazione della gamba (I) e sollevare leggermente il seggiolino per consentire l'ulteriore estensione della gamba di supporto (R) fino allo scatto in posizione. La gamba di supporto (R) dovrebbe ora essere saldamente e stabilmente appoggiata al pavimento dell'auto.
Nota: Il seggiolino Axkid One è dotato di un indicatore acustico (S) che suonerà finché la gamba di sostegno (R) non sarà correttamente appoggiata sul pavimento.

6 Inserire la protezione ASIP (G) nelle guide del connettore ASIP (J) e spostarla verso il basso fino a sentire un clic. Se il connettore ASIP (J) ha un cappuccio di plastica, rimuoverlo e posizionarlo sul connettore ASIP (J) dall'altro lato del seggiolino. Assicurarsi che la copertura ASIP (G) sia fissata sul lato del seggiolino più vicino alla porta del veicolo.



Sistemazione del bambino nel seggiolino

Prima di sistemare il bambino nel seggiolino assicurarsi di usare gli inserti corretti. L'Axkid One è progettato per crescere con il tuo bambino e garantire una vestibilità sicura e confortevole per tutti i bambini.

Si consiglia di utilizzare inserti adeguati fino a quando non saranno troppo stretti, l'altezza minima da cui è possibile rimuovere l'inserto è indicata nella tabella seguente (notare che l'età è solo indicativa):

Età	Altezza	
Neonato 0-6 mesi (solo Axkid One +)	0 – 60 cm	
Bambino piccolo 0-3 anni	61 – 105 cm	
Bambino più grande 3-7 anni	105 – 125 cm	

7

Premere il pulsante di regolazione (T) dell'imbracatura e tirare entrambe le cinture contemporaneamente (A). Evitare di tirare le cinture (A) singolarmente, perché potrebbero avere lunghezza diversa.

8

9

Slacciare la fibbia premendo il pulsante (B), spostare le cinture ai lati del seggiolino.

10

Sistemare il bambino nel seggiolino auto e posizionare le cinture (A) sulle sue spalle. Collegare entrambe le parti della fibbia dell'imbracatura e inserire la fibbia tra le gambe del bambino finché non si sente un clic.

11

Regolare il poggiatesta (E) fino a quando l'indicatore dell'altezza degli occhi del bambino (F) è in linea con gli occhi del bambino. È possibile regolare il poggiatesta premendo contemporaneamente entrambi i pulsanti di regolazione (M) e facendolo scorrere su e giù. Nota: non prestare attenzione all'indicatore del livello degli occhi del bambino (F) quando si usa l'inserto per neonati (applicabile solo per Axkid One +). Quando si usa l'inserto per neonati nel seggiolino Axkid One +, il poggiatesta deve essere sempre nella posizione più bassa.

Controllare che l'altezza dell'imbracatura (A) sia regolata correttamente. L'imbracatura deve uscire dal seggiolino all'altezza delle spalle del bambino o al massimo 1 cm sopra di esse. Questo può richiedere la regolazione del poggiatesta (E), anche se questo rende l'indicatore del livello degli occhi non esattamente in linea con la linea degli occhi del bambino. Tirare l'imbracatura sul petto (A) per stringere la cintura sui fianchi del bambino. Tirare la cinghia di tensione dell'imbracatura fino a quando è così stretta che non si può inserire più di un dito tra l'imbracatura (A) e la spalla del bambino.

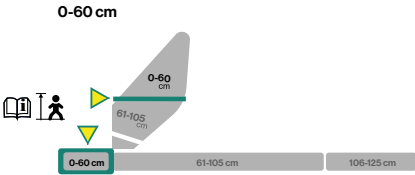
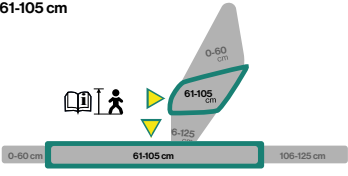
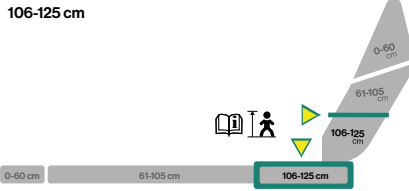


Regolazione del seggiolino per il bambino

Dopo aver installato il seggiolino auto Axkid One, è possibile regolare lo spazio per le gambe del bambino e l'inclinazione del sedile. La regolazione è possibile mentre il bambino è seduto nel seggiolino.

Per garantire un buon adattamento ad ogni auto e garantire la massima sicurezza al bambino, ti consigliamo di seguire le raccomandazioni di posizionamento del seggiolino sul lato del seggiolino. Man mano che il bambino cresce, è importante utilizzare il seggiolino in una posizione più seduta per dare al bambino la migliore protezione in caso di incidente.

L'indicatore di posizione del seggiolino si basa sull'altezza del bambino. Assicurarsi che entrambe le frecce siano

Età	Regolazione	
Neonato 0-6 mesi (solo Axkid One +)	Inclinazione massima, spazio minimo per le gambe	
Bambino piccolo 0-3 anni	Tutte le posizioni del sedile, una gamma di posizioni per lo spazio per le gambe	
Bambino più grande 3-7 anni	Massima posizione di seduta, massimo spazio per le gambe	

nella posizione corretta

Regolazione del seggiolino

- Lo spazio per le gambe si regola premendo il pulsante di regolazione dello spazio per le gambe (N) e facendo scorrere il sedile avanti e indietro. Per evitare che il seggiolino si muova in modo incontrollato durante la regolazione, afferrare la maniglia posteriore (O) e tirarla delicatamente prima di premere il pulsante (N).
- L'inclinazione del seggiolino può essere regolata tramite la manopola di inclinazione della seduta (H).



Rimozione del seggiolino dall'auto

- Premere il pulsante di regolazione della gamba di supporto (I) e accorciare la gamba (R) al massimo.
- Spostare il pulsante di regolazione del telaio antirotazione (C) e piegare il telaio (D) verso il sedile del seggiolino per creare un gioco per la sua rimozione.
- Rimuovere i connettori ISOFIX (Y) premendo i pulsanti (X) e allontanare il seggiolino dallo schienale del sedile auto.
- Tenendo il telaio antirotazione (D) con una mano e la maniglia posteriore (O) con l'altra mano, sollevare il seggiolino e toglierlo dal veicolo.
- Piegare la gamba di supporto (R) tirando la cinghia (Q) e piegando la gamba (R) verso la base del seggiolino.

Cura e manutenzione

- Il rivestimento del seggiolino può essere lavato in lavatrice a 30°C con un programma "delicato". Non asciugare il rivestimento in asciugatrice, in quanto potrebbe danneggiarsi. Visitare il sito www.axkid.com per vedere come rimuovere e rimettere il rivestimento del seggiolino.
- Per rimuovere il rivestimento dal seggiolino, togliere la protezione laterale di rivestimento (L) e sganciare i lembi di velcro. Aprire la cerniera sul retro del seggiolino ed estrarre delicatamente la fodera. Prendere nota di come è fissato il rivestimento in modo da poterlo rimettere facilmente. Per rimontare la protezione laterale di rivestimento (L) posizionarla sul telaio di alluminio del seggiolino e farla scorrere verso l'ancoraggio. Per rimuovere il rivestimento dal poggiatesta, aprire le cerniere posizionate sul fondo e rimuovere delicatamente il tessuto.
- Se il rivestimento deve essere sostituito, assicurarsi di usare solo prodotti originali Axkid. Altrimenti la sicurezza del vostro bambino può essere significativamente ridotta.
- Tutte le parti in plastica di Axkid One possono essere pulite con detergente neutro e acqua. Non utilizzare sostanze chimiche aggressive contenenti solventi ecc. in quanto potrebbero danneggiare gli elementi del seggiolino.
- Tutti i materiali utilizzati nel seggiolino auto Axkid One sono riciclabili e devono essere riciclati nel rispetto delle leggi locali del Vostro luogo di residenza. Per informazioni sul riciclaggio del prodotto, rivolgersi al centro di riciclaggio locale.
- Il segnale acustico (S) è dotato di una batteria CR1632 sostituibile. Le batterie usate devono essere riciclate in conformità con le leggi del vostro luogo di residenza. Rimuovere la batteria quando il seggiolino non è più utilizzato. La batteria può essere rimossa svitando le due viti poste sul fondo della gamba di supporto (R).
- Non modificare né alterare il seggiolino auto adottando procedure diverse da quelle descritte nelle presenti istruzioni per l'uso.
- Tutte le riparazioni devono essere effettuate in fabbrica o da un centro di assistenza autorizzato Axkid.

Garanzia

Il seggiolino auto Axxid One è coperto da una garanzia di 24 mesi a partire dalla data di acquisto. Conservare sempre la ricevuta e consegnarla al punto di acquisto in caso di problemi in garanzia..

La garanzia non copre:

- Normale usura dei materiali.
- Danni dovuti a uso improprio o negligenza.
- Riparazioni effettuate da terzi.
- Tutti i materiali utilizzati presentano un'altissima resistenza ai raggi UV. Tuttavia, i raggi UV sono estremamente aggressivi e comportano il graduale scolorimento del rivestimento del seggiolino. Tale scolorimento non è coperto da garanzia, in quanto è considerato normale usura.
- Maneggiare il seggiolino con cura. Il materiale di cui è realizzato lo schienale del sedile è delicato ed è soggetto a danni. Danni diversi da quelli causati in fabbrica non sono soggetti a riparazione in garanzia.

IT

Merci d'avoir choisi Axxkid One

Merci de lire attentivement ce manuel d'instructions avant d'installer le siège-auto Axxkid One dans votre véhicule. Vous trouverez plus d'informations et des vidéos d'installation sur notre site www.axxkid.com.

Le siège-auto **Axxkid One 2** est un siège-auto dos à la route homologué pour les enfants mesurant de 61 à 125 cm et un poids maximal de 23 kg.

Le siège-auto **Axxkid One+ 2** est un siège-auto dos à la route homologué pour les enfants mesurant de 40 à 125 cm et un poids maximal de 23 kg.

Il s'agit d'un système i-Size de retenue amélioré pour enfant. Il est homologué conformément au Règlement n° 129 de l'UE, pour une utilisation sur les places assises des véhicules compatibles i-Size, comme indiqué par le constructeur dans le manuel utilisateur du véhicule. En cas de doute, consultez le fabricant du système de retenue pour enfants (www.axxkid.com) ou votre revendeur.

Informations importantes

Afin d'optimiser la sécurité de votre enfant, il est important de garder les éléments suivants à l'esprit :

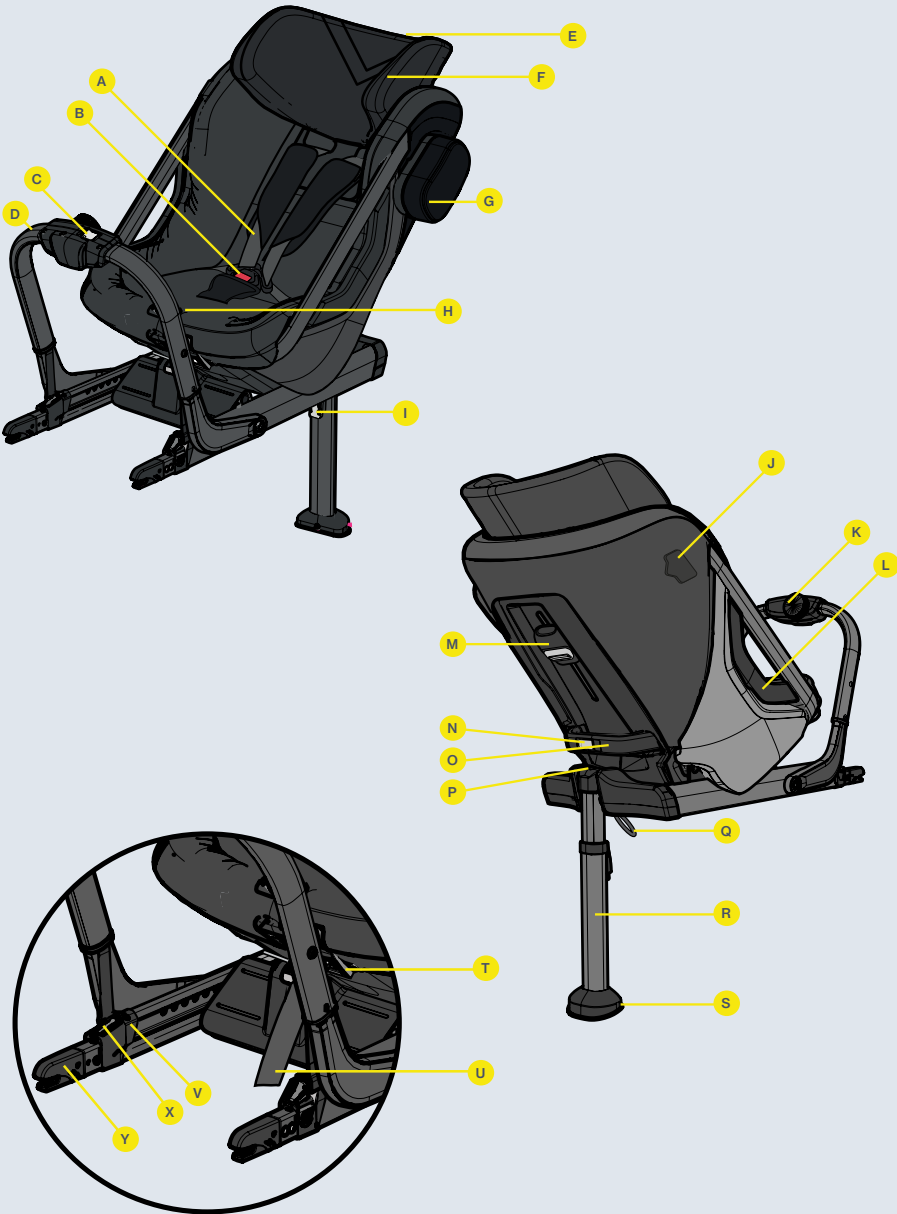
- Suivez toujours les instructions de ce manuel. Une installation incorrecte pourrait sérieusement affecter la sécurité de votre enfant. En cas de doute, contactez votre revendeur, il vous montrera comment faire une installation correcte.
- Conservez ce manuel pour pouvoir vous y référer à l'avenir. Si vous l'égariez, il est disponible sur notre site www.axxkid.com.
- N'utilisez pas le siège-auto Axxkid One dans une position où un airbag frontal est actif. Si vous souhaitez tout de même installer le siège-auto Axxkid One à cet endroit, l'airbag doit être désactivé conformément aux instructions du constructeur automobile.
- En cas d'accident, quel que soit sa gravité, votre siège-auto doit toujours être remplacé. Il peut avoir subi des dommages invisibles à l'œil nu qui pourraient affecter sérieusement la sécurité de votre enfant. Pour cette raison, Axxkid ne recommande pas l'achat de sièges-auto d'occasion.
- Si le siège-auto Axxkid One a été exposé au soleil direct, vérifiez qu'il n'est pas trop chaud avant d'y installer votre enfant.
- Ne laissez jamais votre enfant seul dans le véhicule.
- Assurez-vous que tous les bagages ou objets présents dans le véhicule soient sécurisés, car ils pourraient causer des blessures aux passagers en cas d'accident.
- Assurez-vous que le siège-auto Axxkid One soit installé de façon à ce qu'il ne se retrouve pas coincé par les portes du véhicule, des sièges amovibles, etc.
- Axxkid One doit être installé uniquement dos à la route.
- Assurez-vous toujours que le harnais est ajusté pour s'adapter correctement au corps de l'enfant. Le harnais s'ajuste avec l'appui-tête.
- Assurez-vous que le dos de l'enfant est bien en contact avec le dossier lorsque vous serrez le harnais.
- Assurez-vous toujours que le harnais est suffisamment serré contre votre enfant et que la boucle est bien verrouillée. Vous ne devez pas pouvoir pincer les sangles.
- Assurez-vous toujours que le harnais ne soit pas vrillé.
- Assurez-vous toujours que la jambe de force soit dans la bonne position et qu'elle soit bien en contact avec le plancher du véhicule. Vérifiez que l'indicateur situé sur le dessus de la jambe de force est vert et que vous n'entendez aucun bip provenant du pied de la jambe de force.
- N'essayez pas de démonter ni de modifier une partie du siège-auto Axxkid One. La garantie et les performances de sécurité du siège-auto Axxkid One pourraient en être affectées.
- N'utilisez jamais le siège-auto Axxkid One sans sa housse en textile. La housse en textile du siège est un élément de sécurité et ne peut être remplacée que par une housse en textile d'origine Axxkid.
- Reportez-vous au manuel du véhicule pour trouver les places appropriées pour ce siège-auto.
- Axxkid recommande de toujours utiliser une protection de siège pour protéger le siège du véhicule des égratignures et de la saleté.
- En cas de doute, contactez le revendeur auprès duquel le siège-auto a été acheté ou contactez info@axxkid.com

Sommaire

Composants	54
Positionnement autorisé et interdit du siège-auto Axxkid One	56
Installer le siège-auto Axxkid One dans le véhicule	57
Installer l'enfant dans le siège-auto Axxkid One	58
Réglages du siège	59
Régler le siège-auto Axxkid One dans le véhicule	59
Retirer le siège-auto Axxkid One du véhicule	60
Entretien et maintenance	60
Garantie	61

FR

Composants



Harnais de maintien (A)
Boucle de harnais (B)
Bouton de déverrouillage de la barre anti-rebond (C)
Barre anti-rebond (D)
Appui-tête (E)
Indicateur du niveau des yeux (F)
Coussin d'impact latéral ASIP (G)
Bouton de réglage d'inclinaison (H)
Bouton de réglage de la jambe de force (I)
Connecteur ASIP (J)
Bouton de réglage de la barre anti-rebond (K)
Cache latéral (L)

Bouton de réglage de l'appui-tête (M)
Bouton de réglage de la profondeur du siège (N)
Poignée arrière (O)
Indicateur de positionnement de la jambe de force (P)
Sangle de déverrouillage de la jambe de force (Q)
Jambe de force (R)
Indicateur sonore (S)
Bouton de déverrouillage du harnais (T)
Sangle de serrage du harnais (U)
Indicateur de verrouillage ISOFIX (V)
Boutons ISOFIX (X)
Connecteurs ISOFIX (Y)

Positionnement autorisé et interdit du siège-auto Axxid One

Le siège-auto Axxid One peut être installé uniquement dos à la route avec l'ISOFIX. Il est homologué pour une utilisation sur toutes les places assises homologuées i-Size du véhicule mais peut aussi être utilisé dans des véhicules non i-Size disposant de l'ISOFIX. Consultez le manuel de votre véhicule pour trouver les places adaptées et consultez la liste de compatibilité sur www.axkid.com.

Siège passager avant avec ISOFIX (Airbag désactivé)	OUI/NON*
Siège passager avant avec ISOFIX (Airbag activé)	NON
Sièges arrière avec ISOFIX	OUI
Sièges arrière dos à la route avec ISOFIX	NON
Siège de véhicule sans ISOFIX	NON



IMPORTANT: Si vous souhaitez installer votre siège-auto Axxid One sur une place où un airbag frontal est activé, vous devez impérativement le désactiver en suivant les instructions du constructeur. Notez que pour certains véhicules l'intervention d'un garage agréé par la marque pour désactiver l'airbag peut être nécessaire.

* La réglementation de la circulation en Espagne, dans l'article 117, établit l'interdiction de conduire avec des enfants d'une taille égale ou inférieure à 135 centimètres à l'avant du véhicule, sans exception.



N'installez jamais un siège-auto sur un siège du véhicule où un airbag est activé.





Installer le siège-auto Axkid One dans le véhicule

1

Avant d'installer le siège-auto Axkid One dans votre véhicule, diminuer sa taille en actionnant le bouton de réglage de profondeur (N) et faites glisser le siège vers la barre anti-rebond (D). Rabattez la jambe de force (R) jusqu'à ce qu'un clic se fasse entendre et que l'indicateur de position de la jambe de force (P) devienne vert.

2

Actionnez le bouton de déverrouillage de la barre anti-rebond (C) et ramenez-la (D) vers le siège. Gardez une main sur la barre anti-rebond (D), saisissez la poignée arrière (O) avec l'autre main, soulevez le siège-auto Axkid One et faites-le entrer dans le véhicule en passant d'abord la barre anti-rebond (D) et en positionnant le siège dos à la route

3

Introduisez les connecteurs ISOFIX (Y) dans les points d'ancrage ISOFIX du véhicule jusqu'à ce que vous entendiez un clic et que les deux indicateurs de verrouillage ISOFIX (V) deviennent verts.

4

Relâchez la barre anti-rebond (D), elle va venir se positionner en appui contre le siège du véhicule. Lorsqu'elle s'arrête, tournez le bouton de réglage de la barre anti-rebond (K) dans le sens des aiguilles d'une montre jusqu'à ce que vous sentiez et entendiez un clic, la barre anti-rebond (D) devrait maintenant être fermement appuyée contre le siège du véhicule. Le bouton de réglage (K) dispose d'un limiteur de couple intégré et le clic indique que la barre anti-rebond (D) est suffisamment ajustée et ne peut plus être serrée.

5

Appuyez sur le bouton de la jambe de force (I) et déployez la jambe de force (R) vers le bas jusqu'à ce qu'elle soit en contact avec le plancher du véhicule. Relâchez le bouton de la jambe de force (I) et soulevez le siège-auto vers le haut pour étendre davantage la jambe de force (R) jusqu'à ce que vous entendiez un clic. La jambe de force (R) doit maintenant être verrouillée et fermement appuyée contre le plancher du véhicule. Remarque : le siège-auto Axkid One est équipé d'un indicateur sonore (S) qui émettra un bip jusqu'à ce que la jambe de force (R) soit fermement appuyée contre le sol, vous assurant ainsi une installation correcte.

6

Poussez le coussin ASIP (G) dans les fentes du connecteur ASIP (J) et faites le glisser vers le bas, le coussin ASIP (G) s'enclenche. S'il y a un couvercle en plastique sur le connecteur ASIP (J), retirez-le et placez-le sur l'autre connecteur ASIP (J) présent sur le côté opposé du siège, avant d'installer le coussin ASIP (G). Assurez-vous que le coussin ASIP (G) est fixé sur le côté du siège-auto Axkid One qui est le plus proche de la portière du véhicule

FR



Installer votre enfant dans le siège-auto Axkid One

Avant d'installer votre enfant dans le siège-auto Axkid One, assurez-vous que les inserts (coussins) appropriés sont installés dans le siège. Axkid One est conçu pour grandir avec votre enfant et pour assurer un ajustement confortable et sûr pour tous les enfants.

Axkid recommande d'utiliser l'insert approprié jusqu'à ce que celui-ci soit trop petit pour votre enfant, mais en respectant tout de même les tailles minimales indiquées dans le tableau ci-dessous (notez que l'âge n'est donné qu'à titre indicatif):

Age	Taille	
Nouveau né 0-6 mois (Seulement Axkid One +)	0 – 60 cm	
Bambins 0-3 ans	61 – 105 cm	
Enfant 3-7 ans	105 – 125 cm	

7

Desserrez le harnais en appuyant sur le bouton de déverrouillage du harnais (T) et tirez les deux sangles (A) en même temps. Évitez de tirer une seule sangle à la fois car cela pourrait rendre le harnais (A) irrégulier.

8

Déverrouillez la boucle en appuyant sur le bouton rouge (B) et placez les sangles à l'extérieur du siège.

9

Placez votre enfant dans le siège et passez les sangles du harnais (A) sur les épaules de votre enfant. Verrouillez le harnais en positionnant d'abord l'une sur l'autre, les deux parties de la boucle qui sont attachées aux sangles du harnais (A) puis poussez-les dans la boucle rouge jusqu'à ce que vous entendiez un clic.

10

Régalez l'appui-tête (E) jusqu'à ce que les indicateurs de niveau des yeux (F) soient alignés avec les yeux de votre enfant. Pour ce faire, appuyez sur les deux boutons de réglage de l'appui-tête (M) et faites-le glisser vers le haut ou vers le bas. Remarque : les indicateurs de niveau des yeux (F) ne doivent pas être utilisés lors de l'utilisation de l'insert pour bébé (Axkid One + uniquement). Lorsque vous utilisez Axkid One + pour les nourrissons, assurez-vous toujours que l'appui-tête est dans la position la plus basse.

11

Vérifiez que les sangles de harnais (A) soient au niveau des épaules de votre enfant ou au maximum 1 cm au-dessus. Il sera peut-être nécessaire de régler de nouveau l'appui-tête (E), même si l'indicateur de niveau des yeux se désaligne des yeux de votre enfant. Tirez ensuite sur les sangles de harnais (A) pour ajuster le harnais sur les hanches de votre enfant. Tout en maintenant la tension des sangles (A), tirez sur la sangle de serrage du harnais (U) jusqu'à ce que le harnais soit suffisamment ajusté, vous ne devriez pas pouvoir placer plus d'un doigt entre les harnais (A) et les épaules de votre enfant.



Réglages du siège

Une fois que le siège-auto Axkid One est installé dans le véhicule, vous pouvez facilement régler à la fois l'espace pour les jambes et l'inclinaison de votre enfant. Ces réglages peuvent être effectués lorsque l'enfant est déjà installé dans le siège.

Pour assurer un bon ajustement dans toutes les voitures et offrir la meilleure protection à votre enfant, Axkid vous recommande fortement d'utiliser les guides de positionnement indiqués sur le côté du siège-auto. À mesure que votre enfant grandit, il est important d'ajuster l'inclinaison vers une position plus verticale pour offrir la meilleure protection possible au cou de votre enfant en cas d'accident. L'indication de taille est basée sur la taille de votre enfant. Assurez-vous que les deux flèches pointent vers la bonne zone.

Alter	Größe	
Nouveau-né 0-6 mois (Seulement Axkid One +)	Inclinaison maximale - Un minimum d'espace pour les jambes	0-60 cm
Bambins 0-3 ans	Différentes positions d'inclinaison - Différents espaces pour les jambes	61-105 cm
Enfant 3-7 ans	Position la plus droite - Un maximum d'espace pour les jambes	106-125 cm

FR

Régler le siège-auto Axkid One dans le véhicule

- La place pour les jambes se règle en actionnant le bouton de réglage de profondeur (N) pour faire glisser le siège vers l'avant ou vers l'arrière. Pour éviter qu'Axkid One ne glisse accidentellement vers l'avant, saisissez la poignée arrière (O) et tirez-la doucement vers l'arrière avant de relâcher le bouton de réglage de profondeur (N).
- L'inclinaison du siège-auto peut être réglée en tournant le bouton de réglage d'inclinaison (H).



Retirer le siège-auto Axkid One de votre véhicule

- Appuyez sur le bouton de la jambe de force (I) et repliez la jambe de force (R) dans sa position la plus courte.
- Faites glisser le bouton de déverrouillage de la barre anti-rebond (C) et rabattez la barre anti-rebond (D) vers le siège pour relâcher la tension contre le siège du véhicule.
- Déconnectez les connecteurs ISOFIX (Y) en appuyant sur les boutons ISOFIX (X) puis en les faisant glisser vers l'arrière.
- Tenez la barre anti-rebond (D) à l'aide d'une main et attrapez la poignée arrière (O) à l'aide de l'autre main et soulevez le siège-auto Axkid One pour le sortir du véhicule.
- Repliez la jambe de force (R) en tirant sur la sangle de déverrouillage de la jambe de force (Q) et pliez la jambe de force vers le haut.

Entretien et maintenance

- La housse du siège est amovible et peut être lavée en machine à 30 degrés en cycle court. Ne pas mettre la housse au sèche-linge cela pourrait abîmer le tissu et le rembourrage pourrait se détacher du tissu. Sur www.axkid.com vous pourrez trouver des vidéos vous expliquant comment enlever et remettre la housse.
- Pour retirer la housse textile du siège, tirez le cache latéral (L) vers l'extérieur et détachez le velcro. Ouvrez les fermetures éclair du dossier et retirez délicatement la housse du siège. Notez comment la housse est positionnée sur le siège pour qu'elle soit plus facile à remettre. Lors de la réinstallation du cache latéral (L), insérez-la sous le cadre en aluminium et poussez simplement dans la fixation à encliquetage. Pour retirer la housse d'appui-tête, ouvrez les fermetures à glissière au bas de l'appui-tête et retirez délicatement la housse.
- Si la housse du siège doit être remplacée, assurez-vous que seul des produits Axkid d'origine soient utilisés. Si d'autres produits sont utilisés, le système de sécurité du siège-auto Axkid One peut être compromis et entraîner des blessures graves en cas d'accident.
- Toutes les pièces en plastique du siège-auto Axkid One peuvent être nettoyées avec un détergent doux et de l'eau. N'utilisez pas de produits chimiques agressifs contenant des solvants ou similaires, car cela pourrait endommager le plastique et compromettre la sécurité du siège-auto.
- Tous les matériaux utilisés dans le siège-auto Axkid One sont recyclables et doivent être recyclés conformément à votre législation locale. Demandez conseil à votre centre de tri local lors du recyclage de ce produit.
- L'indicateur sonore (S) contient une pile CR1632 remplaçable. Veuillez retirer et recycler la batterie conformément à votre législation locale lorsque vous devrez vous séparer de votre siège-auto Axkid One. Dévissez les deux vis au bas de la jambe de force (R) et retirez le couvercle pour accéder à la batterie.
- N'apportez aucune modification ou altération au siège-auto Axkid One autre que celles décrites dans ce manuel d'instructions.
- Toute réparation doit être effectuée par le fabricant ou un agent.

Garantie

Le siège-auto Axkid One est couvert par une garantie de 24 mois à compter de la date d'achat. Assurez-vous de garder votre facture d'achat afin de pouvoir la fournir à votre revendeur si nécessaire.

La garantie ne couvre pas :

- L'usure normale.
- Les dommages causés par un usage incorrecte, négligence ou par un accident.
- Si des réparations ont été effectuées par un tiers.
- Tous les matériaux utilisés ont une très haute résistance aux UV. Cependant, la lumière UV est très agressive et entraînera à la longue une décoloration de la housse de siège qui est inévitable. Ceci n'est pas couvert par notre garantie car considéré comme une usure normale.
- Manipulez le siège avec soin. Notez que le tissu mesh du dossier peut se rayer et s'abîmer facilement si on ne prend pas soin du siège. En dehors d'un défaut à la sortie d'usine, il n'est pas couvert par la garantie.

FR

Dziękujemy za wybranie Axkid One

Przeczytaj instrukcję obsługi przed montażem fotelika Axkid One w swoim samochodzie. Po więcej informacji oraz filmy instruktażowe zapraszamy na visit.wwww.axkid.com.

Axkid One 2 to fotelik samochodowy odpowiedni dla dzieci o wzroście pomiędzy 61-125cm oraz maksymalnej wadze 23kg.

Axkid One+ 2 to fotelik samochodowy odpowiedni dla dzieci o wzroście pomiędzy 40-125cm oraz maksymalnej wadze 23kg.

Axkid One to dziecięcy fotelik samochodowy zgodny z normą UN R129 (i-Size), przeznaczony do użytku na miejscach wskazanych jako kompatybilne przez producenta samochodu w instrukcji obsługi pojazdu. W razie wątpliwości skontaktuj się z producentem (www.axkid.com) lub sprzedawcą.

Ważne informacje

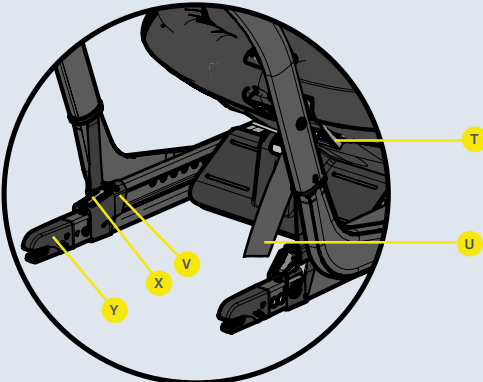
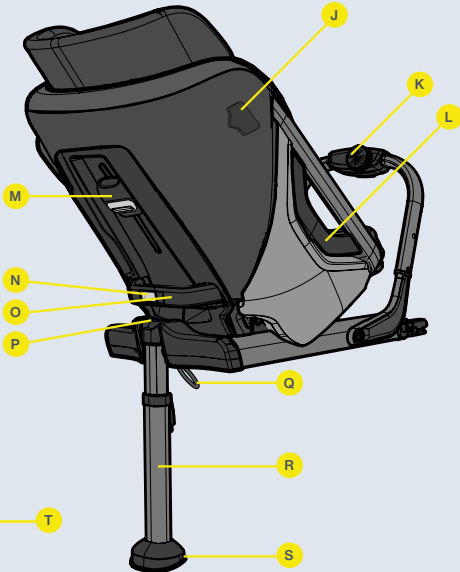
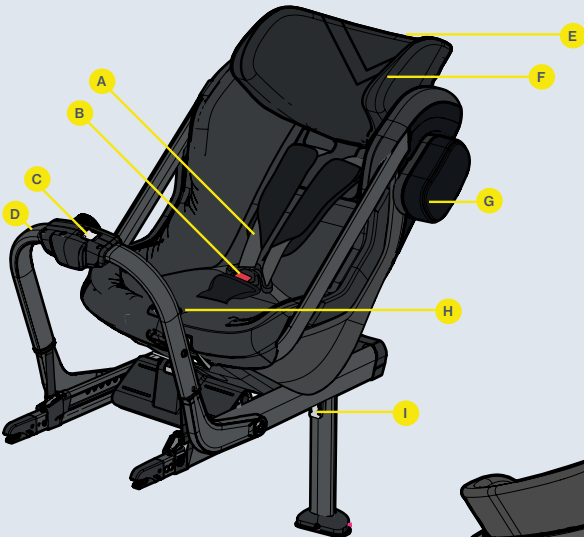
- Aby zachować optymalny poziom bezpieczeństwa twojego dziecka, upewnij się że stosujesz się do poniższych wytycznych:
- Zawsze używaj fotelika zgodnie z poniższą instrukcją. Błędnie użytkowany fotelik może zagrażać życiu i zdrowiu dziecka. W razie wątpliwości skontaktuj się ze sprzedawcą.
- Zatrzymaj poniższą instrukcję w razie wątpliwości w przyszłości. Instrukcję w wersji cyfrowej można pobrać ze strony www.axkid.com
- Nie używaj Axkida One na miejscu wyposażonym w aktywną poduszkę powietrzną dla pasażera. Aby poprawnie zamontować fotelik na takim miejscu konieczną jest dezaktywacja poduszki zgodnie z instrukcją obsługi pojazdu.
- Fotelik samochodowy po kolizji, niezależnie od jej rozmiarów, winien zostać wymieniony na nowy, gdyż może on posiadać uszkodzenia niewidoczne gołym okiem a jego dalsze używanie może negatywnie wpłynąć na bezpieczeństwo dziecka. Z tego powodu Axkid nie rekomenduje zakupu fotelików z rynku wtórnego.
- Jeśli fotelik był narażony na promienie słoneczne, upewnij się że nie jest zbyt gorący przed umieszczeniem w środku dziecka.
- Nigdy nie zostawiaj dziecka w samochodzie bez opieki.
- Upewnij się, że wszelkie luźne bagaże i przedmioty są odpowiednio zabezpieczone, gdyż podczas ewentualnego wypadku mogą zagrażać one bezpieczeństwu pasażerów.
- Upewnij się, że po zainstalowaniu fotelika nie został on zakleszczony między fotelami, drzwiami auta itp.
- Axkid One może być montowany wyłącznie tyłem do kierunku jazdy.
- Przed każdym użyciem upewnij się, że uprząż fotelika jest odpowiednio ustawiona do wzrostu dziecka. Uprząż regulowana jest poprzez poruszanie zagłówka w górę i w dół.
- Upewnij się, że plecy dziecka przylegają do fotelika, zanim zapniesz dziecko w uprząż.
- Upewnij się, że po zapięciu dziecka uprząż jest odpowiednio napięta. Nie powinno być możliwości uszczypnięcia uprząży.
- Upewnij się, że uprząż nie jest skręcona.
- Upewnij się, że noga wspierająca fotelika jest w odpowiedniej pozycji i opiera się o podłogę samochodu. Sprawdź, czy wskaźnik na nodze pokazuje kolor zielony i nie słyszysz sygnału dźwiękowego informującego o błędnym montażu nogi wspierającej.
- Nie próbuj samodzielnie rozkładać fotelika na części ani dokonywać żadnych modyfikacji. Może to pozbawić cię ochrony gwarancyjnej i wpłynąć negatywnie na bezpieczeństwo dziecka.
- Nigdy nie używaj fotelika bez tapicerki. Tapicerka jest częścią fotelika odpowiedzialną za bezpieczeństwo i może być wymieniona wyłącznie na oryginalną tapicerkę Axkid.
- Przeczytaj instrukcję obsługi samochodu aby sprawdzić, na których siedzeniach możesz montować ten fotelik.
- Axkid rekomenduje użycie maty ochronnej aby chronić kanapę samochodu przed uszkodzeniami i brudem.
- W razie problemów skontaktuj się ze sprzedawcą lub napisz na info@axkid.com

Spis treści

Części	64
Dozwolone i niedozwolone pozycje w samochodzie	66
Montaż fotelika Axkid One w samochodzie	67
Zapięcie dziecka w foteliku	68
Dopasowanie fotelika do dziecka	69
Regulacja fotelika	69
Demontaż fotelika z samochodu	70
Pielęgnacja i konserwacja	70
Gwarancja	71

PL

Części



Uprząż barkowa (A)	Przyciski regulacji zagłówka (M)
Przycisk rozpinający uprzęż (B)	Przycisk regulacji miejsca na nogi (N)
Przycisk zwalnający ramę antyrotacyjną (C)	Tyłny uchwyt (O)
Rama antyrotacyjna (D)	Wskaźnik pozycji nogi podpierającej (P)
Zagłówek (E)	Pasek zwalnający blokadę nogi (Q)
Wskaźnik poziomego oczu (F)	Noga podpierająca (R)
Oslona ASIP (G)	Wskaźnik dźwiękowy (S)
Pokrętko regulacji nachylenia (H)	Przycisk regulacji upręży (T)
Przycisk regulacji nogi podpierającej (I)	Pasek napinający uprzęż (U)
Łącznik ASIP (J)	Wskaźnik zapięcia ISOFIX (V)
Pokrętko regulacji ramy antyrotacyjnej (K)	Przyciski ISOFIX (X)
Boczna osłonka tapicerki (L)	Złącza ISOFIX (Y)

Dozwolone i niedozwolone pozycje w samochodzie

Axkid One może być instalowany wyłącznie za pomocą złącz ISOFIX, tyłem do kierunku jazdy. Jego montaż jest dozwolony na wszystkich miejscach w samochodzie oznaczonych symbolem i-Size, może również pasować do siedzeń wyposażonych w system ISOFIX lecz nieoznaczonych symbolem i-Size. Celem znalezienia odpowiedniego miejsca do instalacji przeczytaj instrukcję obsługi swojego samochodu i listę dopuszczonych pojazdów na www.axkid.com

Przedni fotel pasażera wyposażony w ISOFIX (Brak aktywnej poduszki powietrznej)	TAK/NIE*
Przedni fotelik pasażera wyposażony w ISOFIX (Aktywna poduszka powietrzna)	NIE
Tyłny fotel pasażera wyposażony w ISOFIX	TAK
Fotele nie wyposażone w ISOFIX	NIE



WAŻNE: Jeśli chcesz zainstalować fotelik Axkid One na miejscu wyposażonym w poduszkę powietrzną dla pasażera, upewnij się że nie jest ona aktywna. Niektóre samochody wymagają wizyty w autoryzowanym serwisie celem dezaktywacji poduszki powietrznej pasażera

* Art. 117 kodeksu ruchu drogowego w Hiszpanii zabrania przewożenia dzieci niższych niż 135cm na przednim fotelu, bez wyjątków.



Nigdy nie instaluj fotelika na fotelu pasażera wyposażonym w aktywną poduszkę powietrzną.





Montaż fotelika Axkid One w samochodzie

- 1 Przed instalacją fotelika zminimalizuj jego wymiary poprzez naciśnięcie przycisku regulacji miejsca na nogi (N) i przesunięciu siedziska w stronę ramy antyrotacyjnej (D). Rozstaw nogę podpierającą (R) aż do usłyszenia kliknięcia i pojawienia się koloru zielonego na wskaźniku pozycji nogi podpierającej (P).
- 2 Naciśnij przycisk regulacji ramy antyrotacyjnej (C) i złóż ramę (D) w kierunku siedziska fotelika. Trzymając jedną ręką ramę antyrotacyjną (D) i drugą ręką tylny uchwyt (O) unieś fotelik, włóż go do samochodu ramą (C) do przodu i ustaw w pozycji tyłem do kierunku jazdy.
- 3 Docisnij złącza ISOFIX (Y) do metalowych uchwytów ISOFIX aż usłyszysz kliknięcie i pojawi się zielony kolor na obu wskaźnikach wpięcia ISOFIX (V).
- 4 Puść ramę antyrotacyjną (D), która zacznie automatycznie dociskać się do oparcia fotela samochodowego. Przekręć pokrętkę regulacji ramy (K) zgodnie z ruchem wskazówek zegara aż poczujesz i usłyszysz kliknięcie., rama antyrotacyjna (D) powinna być teraz stabilnie zaparta o oparcie siedzenia. Pokrętkę regulacji ramy (K) posiada wbudowany ogranicznik obrotu, kliknięcie mechanizmu wskazuje na maksymalne możliwe zaparcie ramy antyrotacyjnej (D) o oparcie fotela.
- 5 Naciśnij przycisk regulacji nogi podpierającej (I) i pociągnij nogę podpierającą (R) w dół, do momentu dotknięcia podłogi samochodu. Zwolnij przycisk regulacji nogi (I) i unieś fotelik lekko do góry, aby umożliwić dalsze wydłużenie nogi podpierającej (R), aż do usłyszenia kliknięcia. Noga podpierająca (R) powinna być teraz bezpiecznie i stabilnie oparta o podłogę samochodu. Uwaga: Fotelik Axkid One jest wyposażony we wskaźnik dźwiękowy (S), który będzie wydawał dźwięk do momentu poprawnego oparcia nogi podpierającej (R) o podłogę.
- 6 Wsuń osłonę ASIP (G) w prowadnicę na łączniku ASIP (J) i przesuwaj ją w dół, do momentu usłyszenia kliknięcia. Jeśli łącznik ASIP (J) jest osłonięty plastikową zaślepką, zdejmij ją i umieść na łączniku ASIP (J) z drugiej strony fotelika. Upewnij się, że osłona ASIP (G) jest przymocowana od tej strony fotelika, która jest najbliższej drzwi pojazdu.



Zapięcie dziecka w foteliku

Przed zapięciem dziecka w foteliku upewnij się, że korzystasz z odpowiednich wkładek. Axkid One jest zaprojektowany tak, aby rosnąć wraz z twoim dzieckiem i zapewniać bezpieczne i wygodne do pasowanie do wszystkich dzieci.

Rekomendujemy używanie odpowiednich wkładek do momentu, aż dziecku będzie w nich zbyt ciasno., minimalny wzrost od którego można usunąć wkładkę znajduje się w tabelce poniżej (zauważ, że wiek jest wyłącznie orientacyjny):

Wiek	Wzrost	
Niemowlę 0-6 mcy (Wyłącznie Axkid One +)	0 – 60 cm	
Małe dziecko 0-3 lat	61 – 105 cm	
Większe dziecko 3-7 lat	105 – 125 cm	

7

8

9

10

11

Naciśnij przycisk luzowania uprząży (T) i pociągnij oba pasy uprząży barkowej jednocześnie (A). Unikaj ciągnięcia pasów barkowych (A) pojedynczo, może to spowodować że będą nierówne.

Rozepnij klamrę poprzez naciśnięcie przycisku (B), odsuń pasy na boki fotelika.

Posadź dziecko w foteliku i umieść uprząż barkową (A) na jego ramionach. Połącz obie części sprzączki uprząży i umieść w klamrze między nóżkami dziecka, aż usłyszysz kliknięcie.

Reguluj zagłówek (E) aż wskaźnik poziomu oczu dziecka (F) zrówna się z oczami twojego dziecka. Zagłówek regulować można przyciskając jednocześnie oba przyciski regulacji (M) i przesuwając go w górę i w dół. Uwaga: Nie należy zwracać uwagi na wskaźnik poziomu oczu dziecka (F), jeśli w użyciu jest wkładka niemowlęca (dotyczy wyłącznie Axkid One +). Podczas używania wkładki niemowlęcej w foteliku Axkid One + zagłówek powinien być zawsze w najniższej pozycji.

Sprawdź, czy wysokość uprząży barkowej (A) jest ustawiona poprawnie. Uprząż powinna wychodzić z fotelika na poziomie ramion dziecka lub maksymalnie 1cm nad nimi. Może to wymagać ponownej regulacji zagłówka (E), nawet jeśli to sprawi, że wskaźnik poziomu oczu nie będzie pokrywał się dokładnie z linią oczu dziecka. Pociągnij za uprząż barkową (A) aby napiąć pasy na biodrach dziecka. Pociągnij pasek napinający uprząż, aż będzie ona tak dociągnięta, że nie możliwe będzie wsunięcie maksymalnie jednego palca pomiędzy uprząż barkową <A) a ramię



dziecka.

Dopasowanie fotelika do dziecka

Po montażu fotelika Axkid One, możliwa jest regulacja ilości miejsca na nogi dziecka oraz kąta nachylenia siedziska. Regulacja jest możliwa w trakcie przebywania dziecka w foteliku.

Aby zapewnić dobre dopasowanie do każdego auta i zapewnić dziecku maksymalne bezpieczeństwo, rekomendujemy aby korzystać ze wskazówek dotyczących pozycjonowania siedziska umieszczonych z boku fotelika. W miarę jak twoje dziecko rośnie, ważne jest użytkowanie siedziska w bardziej siedzącej pozycji aby zapewnić dziecku najlepszą ochronę w razie wypadku drogowego.

Wskaźnik pozycji siedziska jest oparty o wzrost dziecka. Upewnij się, że obie strzałki znajdują się w odpowiednich

Wiek	Regulacja	
Niemowlę 0-6 mcy (Wyłącznie Axkid One +)	Maksymalny pochyl, minimalna ilość miejsca na nogi	<p>0-60 cm</p>
Małe dziecko 0-3 lat	Wszystkie pozycje siedziska, szereg pozycji miejsca na nogi	<p>61-105 cm</p>
Większe dziecko 3-7 lat	Maksymalnie siedząca pozycja, maksymalna ilość miejsca na nogi	<p>106-125 cm</p>

PL

pozycjach.

Regulacja fotelika

- Miejsce na nogi regulowane jest za pomocą naciśnięcia przycisku regulacji miejsca na nogi (N) i przesuwania siedziska w przód i w tył. Aby uniemożliwić fotelikowi niekontrolowany ruch podczas regulacji, złap tylny uchwyt (O) i delikatnie pociągnij go przed naciśnięciem przycisku (N)
- Kąt nachylenia fotelika może być regulowany za pomocą pokrętła regulacji nachylenia siedziska (H)



Demontaż fotelika z samochodu

- Naciśnij przycisk regulacji nogi podpierającej (I) i skróć maksymalnie nogę (R).
- Przesuń przycisk regulacji ramy antyrotacyjnej (C) i złóż ramę (D) w kierunku siedziska fotelika aby stworzyć luz umożliwiający jego wypięcie.
- Wypnij złącza ISOFIX (Y) naciskając przyciski (X) i odsuń fotelik od oparcia fotela samochodowego.
- Trzymając jedną ręką ramę antyrotacyjną (D) i drugą ręką tylny uchwyt (O) podnieś fotelik i wyjmij go z pojazdu.
- Złóż nogę podpierającą (R) ciągnąc za pasek (Q) i składając nogę (R) w kierunku podstawy fotelika.

Pielęgnacja i konserwacja

- Pokrycie fotelika może być prane w 30°C w programie delikatnym. Nie wkładaj pokrycia do suszarki, gdyż może ona uszkodzić materiały z jakich jest wykonane. Odwiedź www.axkid.com celem sprawdzenia jak zdjąć i założyć pokrycie fotelika.
- Aby zdjąć pokrycie z fotelika zdejmij boczną osłonkę tapicerki (L) i odczep rzepy. Rozepnij zamek błyskawiczny z tyłu fotelika i delikatnie zdejmij z niego pokrycie. Zapamiętaj sposób jego mocowania aby ułatwić sobie ponowne jego założenie na fotelik. Aby umieścić boczną osłonkę tapicerki (L) z powrotem, nałóż ją na aluminiową ramę fotelika i przesuń w kierunku mocowania. Aby zdjąć pokrowiec z zagłówka, rozepnij zamki błyskawiczne zlokalizowane na jego spodzie i delikatnie zsuń tapicerkę.
- Jeśli pokrycie wymaga wymiany upewnij się, że używasz wyłącznie oryginalnych produktów Axkid. W innym wypadku poziom bezpieczeństwa twojego dziecka może zostać wyraźnie obniżony.
- Wszystkie plastikowe części fotelika Axkid One mogą zostać wyczyszczone za pomocą wody i delikatnych detergentów. Nie używaj agresywnej chemii zawierającej rozpuszczalniki i tym podobne aby nie uszkodzić elementów fotelika.
- Wszystkie materiały użyte w produkcji fotelika Axkid One podlegają recyklingowi i powinny zostać przetworzone zgodnie z prawem obowiązującym w twoim miejscu zamieszkania. Celem uzyskania wskazówek skontaktuj się z najbliższym punktem recyklingu śmieci.
- Wskaźnik dźwiękowy (S) jest wyposażony w wymienną baterię CR1632. Zużyte baterie należy poddać recyklingowi zgodnie z prawem obowiązującym w twoim miejscu zamieszkania. Usuń baterię, kiedy twój fotelik nie będzie już więcej używany. Baterię można usunąć odkręcając dwie śrubki na spodzie nogi podpierającej (R)
- Nie dokonuj żadnych modyfikacji ani zmian w foteliku, które nie są opisane w niniejszej instrukcji obsługi.
- Wszelkie naprawy muszą zostać wykonane w fabryce lub autoryzowanym serwisie Axkid.

Gwarancja

Na fotelik Axkid One obowiązuje 24 miesięczna gwarancja liczona od daty zakupu. Zachowaj dowód zakupu i dostarcz go do sprzedawcy razem z fotelikiem, jeśli będziesz potrzebował skorzystać z ochrony gwarancyjnej.

Gwarancja nie obejmuje:

- Normalnego zużycia materiałów
- Uszkodzeń powstałych w wyniku niepoprawnego używania, nieuwagi.
- Jeśli naprawy były dokonywane poza autoryzowanym serwisem.
- Wszystkie użyte materiały posiadają wysoką wytrzymałość na promieniowanie UV. Jednakże promieniowanie UV jest bardzo agresywne i może prowadzić do wyblaknięcia materiałów. Nie jest to objęte gwarancją i jest rozpatrywane jako normalne zużycie.
- Obchodź się z fotelikiem ostrożnie. Materiał z jakiego wykonany jest tył fotelika jest delikatny i narażony na uszkodzenia. Uszkodzenia inne niż te powstałe w fabryce nie podlegają naprawie gwarancyjnej.

Tack för att du valt Axxkid One

Läs denna instruktionsbok innan du monterar bilbarnstolen Axxkid One i bilen. Mer information och monteringsfilmer finns på www.axxkid.com.

Axxkid One 2 är en bakåtvänd bilbarnstol som är godkänd för barn som är mellan 61–125 cm långa och som maximalt väger 23 kg.

Axxkid One+ 2 är en bakåtvänd bilbarnstol som är godkänd för barn som är mellan 40–125 cm långa och som maximalt väger 23 kg.

Detta är ett i-Size-bilbarnstolssystem med förbättrat skydd. Det är godkänt i enlighet med FN-föreskrift nr 129/02 för användning i i-Size-kompatibla fordonssittlägen vilka anges av fordonstillverkaren i fordonets instruktionsbok. Om du är osäker, vänd dig antingen till tillverkaren av det förbättrade bilbarnstolssystemet (www.axxkid.com) eller återförsäljaren.

Viktig information

För att maximera säkerheten för barnet är det viktigt att tänka på följande:

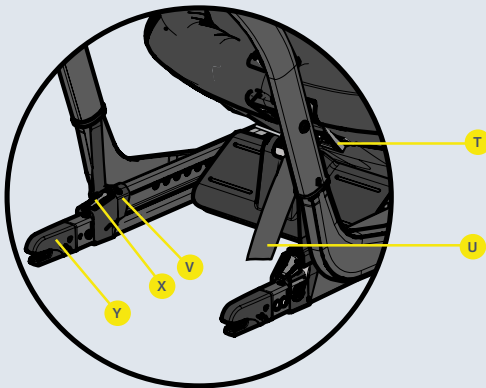
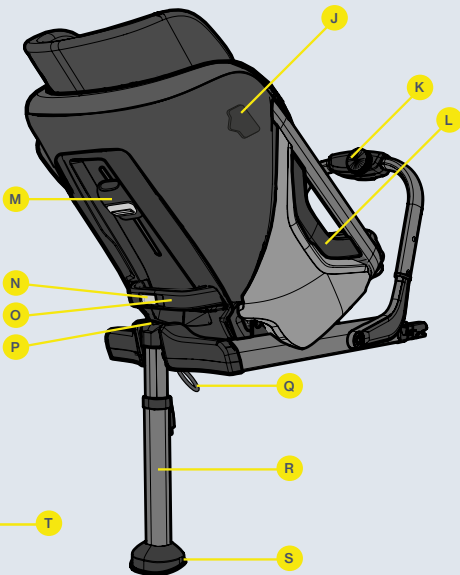
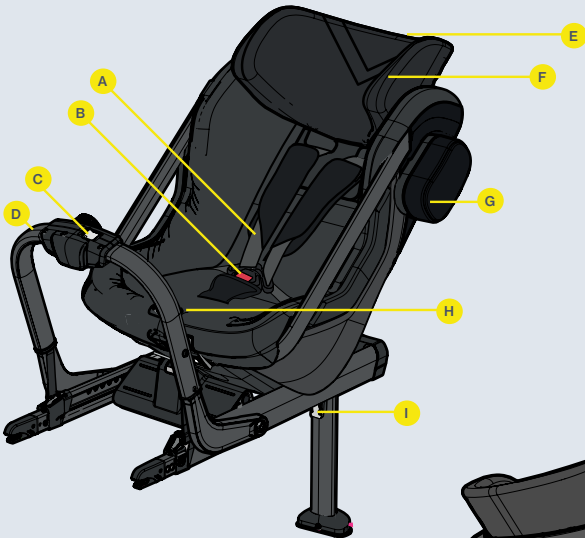
- Följ alltid anvisningarna i instruktionsboken noggrant. En felaktig montering kan allvarligt påverka säkerheten för ditt barn. Om du är osäker på om du gjort rätt, kontakta din återförsäljare som kan visa dig korrekt montering.
- Spara denna instruktionsbok för framtida bruk. Om instruktionsboken går förlorad kan du hitta den online på www.axxkid.com
- Använd inte en Axxkid One bilbarnstol på ett säte med en aktiv frontkrockkudde. Om du trots allt vill montera Axxkid One på denna plats måste krockkudden kopplas ur enligt fordonstillverkarens anvisningar.
- Bilbarnstolen ska bytas ut om den varit med om en olycka, oavsett hur liten olyckan än är. Den kan ha skador som inte syns vilka allvarligt kan påverka säkerheten för ditt barn. Där för avråder Axxkid alltid från att köpa en begagnad bilbarnstol.
- Om Axxkid One bilbarnstolen har utsatts för direkt solljus, kontrollera att sätet inte är för varmt innan du sätter fast ditt barn.
- Lämna aldrig barnet utan uppsikt i bilen.
- Se till att eventuellt bagage och lösa föremål är ordentligt fästa i bilen eftersom de kan orsaka personskada vid en olycka.
- Se till att Axxkid One bilbarnstolen är monterad så att inga delar kan fastna i rörliga säten, bildörrar osv.
- Axxkid One-bilbarnstolen får endast monteras bakåtvänd.
- Se alltid till att bältet är justerat för att korrekt passa ditt barns kropp. Bältet justeras genom att man flyttar huvudstödet.
- Se till att barnets rygg ligger mot bilbarnstolen när du spänner fast ditt barn med bältet.
- Se alltid till att bältet är ordentligt åtdraget mot ditt barn och att spännet är helt låst. Du ska inte kunna nypa tag om remmarna.
- Se till att bältet inte har snott sig.
- Se alltid till att stödbenet är i rätt position och har kontakt med fordonets golv. Kontrollera att indikatorn högst upp på stödbenet är grön och att du inte hör något pip ljud från stödbenets fot.
- Försök inte att demontera eller modifiera någon del av Axxkid One bilbarnstolen. Garantioch säkerhetsprestandan för Axxkid One-bilbarnstolen kan påverkas om du gör det.
- Använd aldrig Axxkid One bilbarnstolen utan sitsens tygklädsel. Sitsens tygklädsel är en säkerhetsfunktion och får endast ersättas med en Axxkid originalklädsel i tyg.
- Kontrollera i fordonets instruktionsbok vilka sittlägen som passar för denna bilbarnstol.
- Axxkid rekommenderar att alltid använda sittskydd för att skydda bilens säte från repor och smuts.
- Vid tvivel, kontakta återförsäljaren där bilbarnstolen köptes eller kontakta info@axxkid.com

Innehållsförteckning

Delar	74
Tillåten och otillåten placering av bilbarnstolen Axxkid One	76
Montera Axxkid One-bilbarnstolen i fordonet	77
Spänna fast ditt barn i Axxkid One bilbarnstolen	78
Justera sätet	79
Justera Axxkid One bilbarnstolen	79
Plocka ut Axxkid One bilbarnstolen ur fordonet	80
Skötsel och underhåll	80
Garanti	81

SV

Delar



Axelremmar (A)	Justeringsknappar för nackstöd (M)
Frigöringsknapp (B)	Justeringsknapp för benutrymme (N)
Frigöringsknapp för främre stag (C)	Bakre handtag (O)
Främre stag (D)	Positionsindikator för stödben (P)
Nackstöd (E)	Frigöringsrem för stödben (Q)
Indikator för ögonhöjd (F)	Stödben (R)
ASIP-skydd (G)	Ljudindikator (S)
Vred för lutningsposition (H)	Frigöringsknapp för bälte (B)
Knapp för stödben (I)	Spännband för bälte (U)
ASIP-koppling (J)	Låsindikatorer för ISOFIX (V)
Främre stagets vred (K)	ISOFIX-knappar (X)
Sidoklädsel (L)	ISOFIX-kopplingar (Y)

Tillåten och otillåten placering av bilbarnstolen Axxkid One

Axxkid One bilbarnstolen får endast monteras bakåtvänd med hjälp av ISOFIX. Den är godkänd för användning i alla i-Size-godkända sittpositioner men kan också passa i andra icke i-Size-godkända ISOFIX-sittpositioner. Kontrollera vilka sittpositioner som är lämpliga i fordonets instruktionsbok och kontrollera fordonlistan på www.axkid.com

Framsäte med ISOFIX (ej aktiv airbag)	JA/NEJ*
Framsäte med ISOFIX (aktiv airbag)	NEJ
Passagerarsäte med ISOFIX	JA
Sidosäte och bakåtvända säten med ISOFIX	NEJ
Säte utan ISOFIX	NEJ



VIKTIGT! Om du vill installera din Axxkid One-bilbarnstol på en plats där det sitter en frontalkrockkudde monterad måste krockkudden plockas bort enligt fordonstillverkarens anvisningar. Observera att för vissa fordon krävs det att ett auktoriserat Service Center plockar bort krockkudden.

*Enligt artikel 117 i Spaniens allmänna trafikregleringen är det, utan undantag, förbjudet att köra med barn som är 135 centimeter långa eller kortare i fordonets framsäten.



Montera aldrig basen på ett säte där det finns en aktiv krockkudde/airbag.





Montera Axxkid One bilbarnstolen i fordonet

1

Innan du installerar Axxkid One bilbarnstolen i ditt fordon, minimera dess storlek genom att frigöra justeringsknappen för benutrymme (N) och skjut sätet mot det främre staget (D). Fäll ner stödbenet (R) tills ett klickljud hörs och stödbenets positionsindikator (P) blir grön.

2

Lossa frigöringsknappen för det främre staget (C) och fäll det främre staget (D) mot sätet. Håll kvar i det främre staget (D) med ena handen och ta tag i det bakre handtaget (O) med den andra handen och lyft in bilbarnstolen Axxkid One i fordonet med det främre staget (D) först och vänd den sedan till den bakåtvända positionen.

3

Skjut in ISOFIX-kopplingarna (Y) i ISOFIX-kopplingspunkterna i fordonet tills du hör ett klickljud och båda ISOFIX-låsindikatorerna (V) blir gröna.

4

Släpp det främre staget (D) som kommer att börja spänna sig mot fordonets säte. När det stannar, vrid det främre stagets vred (K) medurs tills du känner och hör ett klick. Det främre staget (D) bör nu vara ordentligt pressat mot fordonets säte. Det främre stagets vred (K) har en inbyggd momentbegränsare och klicket indikerar att det främre staget (D) är korrekt åtdraget och inte kan dras åt längre.

5

Tryck på stödbenets knapp (I) och dra stödbenet (R) nedåt tills det är i kontakt med fordonets golv. Släpp upp stödbenets knapp (I) och lyft bilstolen uppåt för att ytterligare förlänga stödbenet (R) tills du hör ett klick. Stödbenet (R) bör nu vara låst och ordentligt pressat mot fordonets golv. Obs! Axxkid One bilbarnstolen är utrustad med en ljudindikator (S) som kommer att fortsätta att pipa tills stödbenet (R) är ordentligt pressat mot golvet, vilket indikerar korrekt montering.

6

För in ASIP-skyddet (G) i spåren på ASIP-kopplingen (J) och för nedåt så klickar ASIP-skyddet (G) på plats. Om det finns ett plasthölje på ASIP-kopplingen (J), ta bort det och placera det på ASIP-kopplingen (J) på den motsatta sidan av sätet innan du monterar ASIP-skyddet (G). Se till att ASIP-skyddet (G) är fäst på den sida av Axxkid One bilbarnstolen som är närmast fordonets dörr.

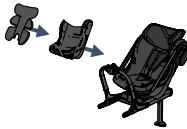


SV



Spänna fast ditt barn i Axxkid One bilbarnstolen

Innan du spänner fast ditt barn i Axxkid One bilbarnstolen, se till att korrekt inlägg är monterade i sätet. Axxkid One är utformad för att växa med ditt barn och för att garantera en bekväm och säker passform för alla barn.

Axxkid rekommenderar att använda det relevanta inlägget tills passformen är för snäv för ditt barn, minimilängden enligt tabellen nedan ska dock respekteras (observera att åldern endast är en indikation):

Ålder	Längd	
Spädbarn 0–6 månader (endast Axxkid One +)	0–60 cm	
Småbarn 0–3 år	61–105 cm	
Barn 3–7 år	105–125 cm	

7 Lossa bältet genom att trycka på bältets frigöringsknapp (T) och dra ut båda axelbanden (A) på samma gång. Undvik att endast dra i ett band i taget eftersom det kan leda till att axelbanden (A) blir ojämnta.

8 Lås upp spännnet genom att trycka på spännets frigöringsknapp (B) och placera banden utanför sätet.

9 Placera ditt barn i sätet och placera axelbanden (A) över barnets axlar. Lås bältet genom att först sätta ihop spännedelarna som är fästa i axelbanden (A) och tryck sedan in dem i spännnet tills du hör ett klickljud.

10 Justera nackstödet (E) tills indikatorerna för ögonhöjd (F) är i nivå med barnets ögon genom att trycka på båda justeringsknapparna för nackstödet (M) och föra det uppåt eller nedåt. Obs: Indikatorerna för ögonhöjd (F) ska inte användas vid användning av spädbarnsinlägget (endast Axxkid One +). När du använder Axxkid One + för spädbarn ska du alltid se till att nackstödet är i det understa läget.

11 Kontrollera att axelbanden (A) går vinkelrätt in genom sätet från barnets axlar eller högst 1 cm ovanför. Du kan behöva justera nackstödet (E) igen, även om indikatorn för ögonhöjd hamnar ur linje med barnets ögon. Dra nu i axelbanden (A) för att dra åt bältet över barnets höfter. Samtidigt som du behåller spänningen i axelbanden (A) drar du i bältesspännbandet (U) tills bältet är tillräckligt åtdraget. Du ska inte kunna föra in mer än ett finger mellan axelbanden (A) och ditt barns axlar.



Justera sätet

Efter att Axkid One-bilbarnstolen har monterats i ditt fordon kan du enkelt justera både benutrymmet och ryggstödet lutning för ditt barn. Detta kan också göras medan ditt barn sitter fastspänt i bilen sätet.

För att garantera god passform i alla bilar och bästa möjliga skydd för ditt barn rekommenderar Axkid å det strängaste att du använder de anvisade positionerna som är markerade på sidan av bilstolen. När ditt barn växer är det viktigt att justera lutningen till en mer upprätt position för att ge bästa möjliga skydd för ditt barns nacke i händelse av en olycka. Storleksindikeringen baseras på barnets längd. Kontrollera att båda pilarna pekar på rätt zon

Ålder	Längd	
Spädbarn 0–6 månader (endast Axkid One +)	Maximal lutning Minimalt benutrymme	0-60 cm
Småbarn 0–3 år	Alla lutningspositioner Flera positioner för benutrymme	61-105 cm
Barn 3–7 år	Maximal upprätt position Maximalt benutrymme	106-125 cm

SV

Justera Axkid One bilbarnstolen

- Benutrymmet justeras genom att man frigör justeringsknappen för benutrymme (N) och för sätet framåt eller bakåt.
- För att undvika att Axkid One glider framåt av misstag, ta tag i det bakre handtaget (O) och dra det försiktigt bakåt innan du frigör justeringsknappen för benutrymme (N).
- Lutningspositionen kan justeras genom att man vrider på vredet för lutningspositionen (H).



Plocka ut Axxid One bilbarnstolen ur ditt fordon

- Tryck på knappen för stödbenet (I) och komprimera stödbenet (R) till dess kortaste position.
- För på frigöringsknappen för det främre staget (C) och fäll det främre staget (D) mot sätet för att lossa på spänningen mot fordonssätet.
- Koppla loss ISOFIX-kopplingarna (Y) genom att trycka ned ISOFIX-knapparna (X) och skjut dem bakåt bort ifrån fordonets säte.
- Håll kvar det främre staget (D) med ena handen och ta tag i det bakre handtaget (O) med den andra handen och lyft ut Axxid One ur fordonet.
- Fäll upp stödbenet (R) genom att dra i stödbenets frigöringsrem (Q) och fäll stödbenet (R) uppåt.

Skötsel och underhåll

- Sätets tygklädsel kan tvättas i maskin på 30 °C handtvättsprogram. Torka inte i torktumlare, det kan skada klädseln och vadderingen kan lossna från tyget. På www.axkid.com finns filmer som visar hur man tar av och sätter tillbaka klädseln.
- För att ta bort tygklädseln från sätet, dra utåt på sidoklädseln (L) och lossakardborrebandet. Öppna dragkedjorna vid ryggstödet och ta försiktigt bort klädseln från sätet. Notera hur det sitter fäst runt sätet så går det lättare att sätta tillbaka. När du monterar tillbaka sidoklädseln (L), för in den under aluminiumramen och tryck fast det i knäppfästet. För att ta bort nackstödet klädsel, öppna blixtlåsen på undersidan av nackstödet och ta försiktigt av klädseln.
- Om klädseln behöver bytas ut, använd endast originalprodukter från Axxid. Om andra produkter används kan säkerhetssystemet hos Axxid One- bilbarnstolen äventyras, vilket kan orsaka allvarlig personskada vid en olycka.
- Alla plastdelar på Axxid One bilbarnstol kan rengöras med mildt rengöringsmedel och vatten. Använd inte starka kemikalier som innehåller lösningsmedel och liknande, eftersom det kan skada plasten och försämra bilbarnstolens säkerhet.
- Alla material som använts i Axxid One bilbarnstol är återvinningsbara och ska återvinnas i enlighet med lokala bestämmelser. Fråga din kommun om du är osäker på hur du ska återvinna produkten.
- Ljudindikatorn (S) innehåller ett utbytbar CR1632-batteri. Plocka ut och återvinn batteriet enligt lokala bestämmelser när Axxid One bilbarnstolen inte längre ska användas. Skruva loss de två skruvarna längst ner på stödbenet (R) och ta bort locket för att komma åt batteriet.
- Gör inga modifikationer eller ändringar på Axxid One bilbarnstolen annat än de som redovisas i denna instruktionsbok.
- Eventuella reparationer måste utföras av tillverkaren eller dess agent.

Garanti

Axkid One bilbarnstolen omfattas av en 24 månaders garanti från inköpsdatumet. Spara alltid kvittot och ta med det till återförsäljaren vid eventuell reklamation.

Garantin täcker inte:

- Normalt slitage
- Skada till följd av felaktig användning, försummelse eller olycka
- Reparationer som utförts av tredje part
- Alla material har hög motståndskraft mot UV-strålning. UV-strålning från solen är emellertid mycket stark och gör att tyget bleks. Detta omfattas inte av garantin utan anses vara normalt slitage.
- Hantera sätet med försiktighet. Observera att baksidans nättyg lätt kan repas och skadas. Såvida nätet inte har en fabriksdefekt omfattas det inte av garantin.

Takk for at du valgte Axxkid One

Les denne bruksanvisningen før du monterer bilstolen Axxkid One i kjøretøyet. Du finner mer informasjon og monteringsvideoer på www.axxkid.com.

Axxkid One 2 er en bakovervendt bilstol som er godkjent for barn med en kroppshøyde på mellom 60 og 125 cm og en maksimal vekt på 23 kg.

Axxkid One+ 2 er en bakovervendt bilstol som er godkjent for barn med en kroppshøyde på mellom 40 og 125 cm og en maksimal vekt på 23 kg.

Dette er et forbedret barnesikringsssystem av typen i-Size. Systemet er godkjent i henhold til FN's forordning nr. 129 for bruk i i-Size-kompatible seteplasser som angitt av kjøretøyprodusentene i kjøretøyet's instruksjonsbok. Er du usikker, ber vi deg kontakte produsenten av barnesikringsystemet (www.axxkid.com) eller forhandleren.

Viktig informasjon

For at barnet skal være maksimalt beskyttet er det viktig å huske følgende:

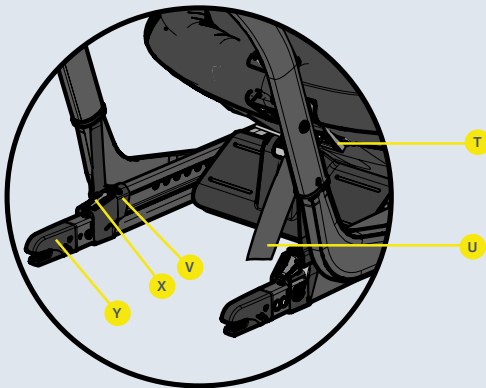
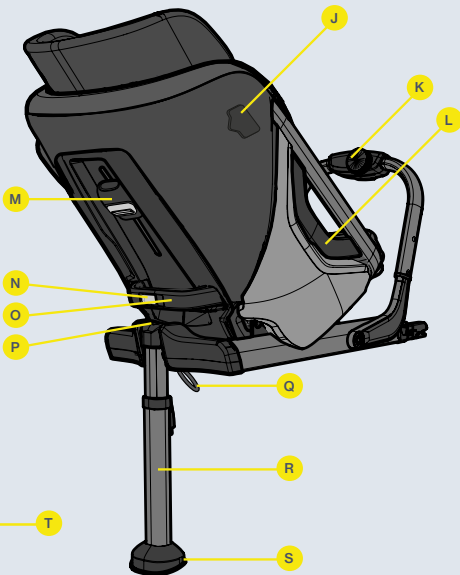
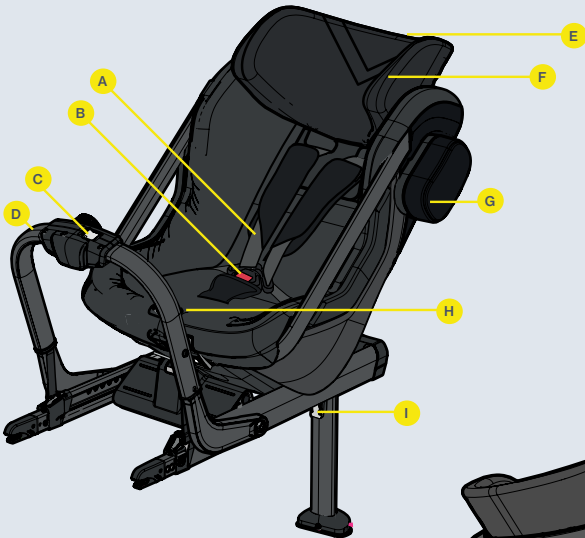
- Følg alltid instruksjonene i denne bruksanvisningen. Feilaktig montering kan få alvorlige følger for barnets sikkerhet. Er du usikker, ber vi deg kontakte forhandleren for å få en demonstrasjon av riktig montering.
- Ta vare på denne bruksanvisningen for fremtidig referanse. Skulle du miste bruksanvisningen, finner du den på www.axxkid.com
- Ikke bruk Axxkid One i en seteplass der det er montert en aktiv kollisjonspute. Hvis du likevel ønsker å montere Axxkid One på denne plassen, må kollisjonsputen deaktiveres i henhold til kjøretøyprodusentens anvisninger.
- Hvis du blir utsatt for en ulykke, må bilstolen alltid skiftes ut uansett hvor alvorlig ulykken er. Den kan ha skader som ikke er synlige og som kan få alvorlige følger for barnets sikkerhet. Derfor anbefaler Axxkid ikke å kjøpe brukte bilstoler.
- Hvis bilstolen Axxkid One har vært utsatt for direkte sollys, må du kontrollere at den ikke er varm før du setter barnet i stolen.
- Gå aldri fra barnet uten tilsyn i kjøretøyet.
- Sørg for at bagasje eller løse gjenstander er sikret i kjøretøyet, da de kan skade passasjerer i en eventuell ulykke.
- Sørg for at Axxkid One blir montert slik at ingen deler kan sette seg fast i regulerbare seter, bildører og lignende.
- Bilstolen Axxkid One kan bare monteres bakovervendt.
- Sørg alltid for at selen justeres slik at den passer til barnets kropp. Selen justeres ved å flytte hodestøtten.
- Sørg for at barnets rygg skyves mot bilstolen når du spenner fast barnet med selen.
- Sørg alltid for at selen er godt strammet mot barnet og at spennen er helt låst. Det skal ikke være mulig å klemme stroppene sammen.
- Sørg for at selen ikke er vridd.
- Sørg alltid for at støttebeinet står i riktig posisjon og har kontakt med gulvet i kjøretøyet. Kontroller at indikatoren øverst på støttebeinet er grønn og at du ikke hører noen pipelyd fra foten av støttebeinet.
- Ikke forsøk å demontere eller modifisere noen deler av bilstolen Axxkid One. Det kan påvirke garantien og sikkerheten til bilstolen Axxkid One.
- Bruk aldri Axxkid One uten stolens tekstiltrekk. Tekstiltrekket er en sikkerhetsfunksjon og må bare skiftes ut med et originalt tekstiltrekk fra Axxkid.
- I kjøretøyet's instruksjonsbok kan du lese hvilke seteplasser denne bilstolen egner seg for
- Axxkid anbefaler at du alltid bruker en setebeskyttelse for å beskytte setet i kjøretøyet mot riper og smuss.
- Er du usikker, ber vi deg kontakte forhandleren der bilstolen ble kjøpt, eller kontakte info@axxkid.com

Innholdsfortegnelse

Deler	84
Tillatt og forbudt plassering av bilstolen Axxkid One	
Montere bilstolen Axxkid One i kjøretøyet	86
Spenne barnet fast i bilstolen Axxkid One	87
Justeringer av stolen	88
Justere bilstolen Axxkid One	89
Ta bilstolen Axxkid One ut av kjøretøyet	89
Vedlikehold	90
Garanti	90
	91

NO

Deler



skulderstropper (A)	justeringsknapper for hodestøtte (M)
frigjøringsknapp for spenne (B)	justeringsknapp for benplass (N)
frigjøringsknapp for fremre skinne (C)	bakre håndtak (O)
fremre skinne (D)	posisjonsindikator for støttebein (P)
hodestøtte (E)	frigjøringsstropp for støttebein (Q)
øyenivåindikatorer (F)	støttebein (R)
ASIP-pute (G)	lydindikator (S)
justeringsknott for ryggvinkel (H)	frigjøringsknapp for sele (T)
støttebeinsknapp (I)	strammestropp til sele (U)
ASIP-kobling (J)	låseindikatorer for ISOFIX (V)
knott til fremre skinne (K)	ISOFIX-knapper (X)
sidedeksel (L)	ISOFIX-koblinger (Y)

Tillatt og forbudt plassering av bilstolen Axxkid One

Bilstolen Axxkid One kan bare monteres bakovervendt ved hjelp av ISOFIX. Den er godkjent for bruk i alle i-Size-godkjente seter, men kan også passe i andre ISOFIX-seter som ikke er i-Size-godkjent. Sjekk kjøretøyets instruksjonsbok for å finne egnede seteplasser, og sjekk kjøretøylisten på www.axxkid.com.

Passasjer sete foran med ISOFIX (uten aktiv kollisjonspute)	JA/NEJ*
Passasjer sete foran med ISOFIX (med aktiv kollisjonspute)	NEJ
Passasjer sete bak med ISOFIX	JA
Side- og bakovervendte seter med ISOFIX	NEJ
Sete uten ISOFIX	NEJ



VIKTIG: Hvis du ønsker å montere bilstolen Axxkid One et sted der det er montert frontkollisjonspute, må kollisjonsputen kobles fra i henhold til kjøretøyproduzentens anvisninger. Merk at noen kjøretøy krever at et autorisert servicesenter kobler fra kollisjonsputen.

* Paragraf 117 i den generelle trafikkriften i Spania fastslår at det er forbudt å kjøre med barn med en kroppshøyde under 135 centimeter i kjøretøyets forseter, og dette gjelder uten unntak



Monter aldri en bilstol i et passasjer sete der det er en aktiv kollisjonspute.





Montere bilstolen Axxkid One i kjøretøyet

1

Før Axxkid One monteres i kjøretøyet skal bilstolens størrelse minimeres ved å trykke på legroom adjustment button (N) og skyve setet mot front brace (D). Slå ned support-leg (R) til du hører et klikk og support-leg position indicator (P) blir grønn.

2

Trykk på front brace release button (C) og fell front brace (D) mot setet. Fortsett å holde front brace (D) inne med den ene hånden, ta tak i back handle (O) med den andre hånden og løft bilstolen Axxkid One inn i kjøretøyet med front brace (D) først, og dreii den deretter til bakovervendt stilling.

3

Trykk ISOFIX connectors (Y) inn i ISOFIX-tilkoblingspunktene i kjøretøyet til du hører et klikk og begge ISOFIX locking indicators (V) blir grønne.

4

Slipp front brace (D), som vil begynne å stramme seg mot setet i kjøretøyet. Når den stopper, dreier du front brace knob (K) med klokken til du kjenner og hører et klikk. front brace (D) skal nå trykkes bestemt mot setet i kjøretøyet. front brace knob (K) har en innebygd momentbegrenser, og klikket indikerer at front brace (D) er korrekt strammet og ikke kan strammes mer.

5

Trykk support-leg button (I) og trekk support-leg (R) nedover til det kommer i kontakt med gulvet i kjøretøyet. Slipp support-leg button (I) og løft bilstolen oppover for å forlenge support-leg (R) ytterligere til du hører et klikk. support-leg (R) skal nå låses og trykkes bestemt mot gulvet i kjøretøyet. Merk: Bilstolen Axxkid One er utstyrt med en pipende sound indicator (S) som vil fortsette å pipe til support-leg (R) er trykket bestemt mot gulvet og angir at monteringen er korrekt utført.

6

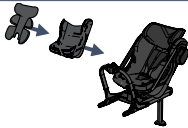


Trykk ASIP pad (G) inn i sporene på ASIP connector (J) og skyv nedover, ASIP pad (G) smetter på plass med et klikk. Hvis det er et plastdeksel på ASIP connector (J), må du fjerne det og plassere det på ASIP connector (J) på motsatt side av stolen før du monterer ASIP pad (G). Kontroller at ASIP pad (G) er festet på den siden av Axxkid One som er nærmest døren på kjøretøyet.

NO



Spenne barnet fast i bilstolen Axxkid One

Før du spenner barnet fast i bilstolen Axxkid One må du kontrollere at de korrekte innleggene er montert i stolen. Axxkid One er konstruert med tanke på å vokse med barnet og sørge for at alle barn sitter behagelig og sikkert. Axxkid anbefaler å bruke det relevante innlegget til det blir for stramt for barnet, men inntil en minimumslengde i henhold til tabellen nedenfor (merk at alderen bare er en indikasjon):

Alder	Høyde	
Spedbarn 0–6 måneder (Bare Axxkid One +)	0 – 60 cm	
Smårolling 0–3 år	61 – 105 cm	
Barn 3–7 år	105 – 125 cm	

7

Løsne selen ved å trykke på harness frigjøringsknapp for sele (T) og trekke begge skulderstropper (A) ut samtidig. Unngå å trekke i bare én stropp av gangen, da det kan gjøre at skulderstropper (A) blir ujevne.

8

Lås opp spennen ved å trykke på frigjøringsknapp for spenne (B) og plasser stroppene utenfor stolen.

9

Plasser barnet i stolen, og legg skulderstropper (A) over barnets skulder. Lås selen ved først å plassere delene av spennen som er festet til skulderstropper (A) sammen og deretter trykke dem inn i spennen til du hører et klikk.

10

Juster hodestøtte (E) til øyenivåindikatorer (F) er på linje med barnets øyne ved å trykke på begge justeringsknapper for hodestøtte (M) og skyve hodestøtten oppover eller nedover.
Merk: øyenivåindikatorer (F) skal ikke brukes sammen med spedbarnsinnlegget (bare Axxkid One +). Når du bruker Axxkid One + for spedbarn, må du alltid kontrollere at hodestøtten står i laveste stilling.

11

Kontroller at skulderstropper (A) går gjennom stolen rett fra barnets skuldre eller maksimalt 1 cm over. Du må kanskje justere hodestøtte (E) på nytt selv om øyenivåindikatoren da ikke lenger er på linje med barnets øyne. Trekk i skulderstropper (A) for å stramme selen over barnets hofter. Mens skulderstropper (A) holdes stramme trekker du i strammestropp til sele (U) til selen er tilstrekkelig stram. Du skal ikke få plass til mer enn én finger mellom skulderstropper (A) og barnets skuldre.



Justeringer av stolen

Etter at bilstolen Axxkid One er montert i kjøretøyet, er det enkelt å justere både benplass og ryggvinkel for barnet. Dette kan også gjøres mens barnet er spent fast i bilstolen.

For å sikre en god passform i alle biler og beskytte barnet best mulig anbefaler Axxkid sterkt at du benytter posisjonene som er merket på siden av bilstolen. Etter hvert som barnet vokser, er det viktig å justere ryggvinkelen til en mer opprett stilling for å gi best mulig beskyttelse for barnets nakke i tilfelle en ulykke.

Størrelsesangivelsen er basert på barnets lengde. Kontroller at begge pilene peker på riktig sone.

Alder	Høyde	
Spedbarn 0–6 måneder (Bare Axxkid One +)	Maks. tilbaketilt Korteste benplass	0-60 cm
Småroling 0–3 år	Alle ryggvinkler Flere stillinger for benplass	61-105 cm
Barn 3–7 år	Maksimal opprett stilling Mest benplass	106-125 cm

NO

Justere bilstolen Axxkid One

- Benplassen justeres ved å trykke på justeringsknappen for benplass (N) og skyve stolen forover eller bakover. For å unngå at Axxkid One sklir forover ved et uhell, tar du tak i det bakre håndtaket (O) og trekker den forsiktig bakover før du slipper justeringsknappen for benplass (N).
- Bilstolens ryggvinkel kan justeres ved å dreie på justeringsknotten for ryggvinkel (H).



Ta bilstolen Axkid One ut av kjøretøyet

- Trykk på støttebeinskappen (I) og slå sammen støttebeinet (R) til korteste posisjon.
- Skyv på frigjøringsknappen for fremre skinne (C) og fold den fremre skinnen (D) mot stolen for å løsne trykket mot setet i kjøretøyet.
- Koble fra ISOFIX-koblingene (Y) ved å trykke ISOFIX-knappene (X) ned og deretter skyve dem bakover og vekk fra setet i kjøretøyet.
- Fortsett å holde den fremre skinnen (D) med den ene hånden, ta tak i det bakre håndtaket (O) med den andre hånden og løft bilstolen Axkid One ut av kjøretøyet.
- Legg sammen støttebeinet (R) ved å trekke i frigjøringsstroppen for støttebeinet (Q) og felle støttebeinet (R) oppover.

Vedlikehold

- Tekstiltrekket til bilstolen kan vaskes i maskin ved 30° C på et skånsomt program. Trekket må ikke tørkes i tørketrommel. Det kan skade trekket og gjøre at polstringen løsner fra stoffet. På www.axkid.com finner du filmer som viser hvordan trekket skal tas av og settes på igjen.
- Tekstiltrekket fjernes fra bilstolen ved å trekke sidedekselet (L) utover og løsne borrelåsen. Åpne glidelåsene på ryggstøtten og ta trekket forsiktig av stolen. Merk deg hvordan det er festet rundt stolen for å gjøre det enklere å sette på igjen. Når du setter på sidedekselet (L) igjen, stikker du det under aluminiumsrammen og bare trykker det tilbake i hurtigfestet. Trekket til hodestøtten fjernes ved å åpne glidelåsene nederst på hodestøttet og ta trekket forsiktig av.
- Hvis trekket må byttes, må du bare bruke originale produkter fra Axkid. Bruk av andre produkter kan gjøre at sikkerhetssystemet til Axkid One ikke fungerer som det skal og forårsake alvorlige skader i en eventuell ulykke.
- Alle plastdelene til bilstolen Axkid One kan rengjøres med mild såpe og vann. Ikke bruk kraftige kjemikalier som inneholder løsemidler eller lignende, da det kan skade plasten og gjøre bilstolen mindre sikker.
- Alle materialer som er brukt i bilstolen Axkid One, er resirkulerbare og skal resirkuleres i henhold til lokale forskrifter. Kontakt nærmeste miljøstasjon for å få råd om resirkulering av produktet.
- Lydindikatoren (S) inneholder et utskiftbart CR1632-batteri. Ta ut batteriet og resirkuler det i henhold til lokale forskrifter når bilstolen Axkid One ikke skal brukes mer. Skru ut de to skruene nederst på støttebeinet (R) og fjern dekslet for å få tilgang til batteriet.
- Ikke foreta andre endringer på eller modifikasjoner av bilstolen Axkid One enn dem som er beskrevet i denne brukerhåndboken.
- Eventuelle reparasjoner skal utføres av produsenten eller forhandleren.

Garanti

Bilstolen Axkid One leveres med 2 års garanti fra kjøpsdatoen. Ta vare på kvitteringen, og ta den med til stedet der bilstolen er kjøpt ved en eventuell reklamasjon.

Garantien dekker ikke:

- Normal slitasje
- Skader som skyldes feil bruk, forsømmelser eller ulykker
- Reparasjoner som er utført av tredjepart
- Alle materialer som er brukt, er meget UV-bestandige. Men UV-lys er svært aggressivt, og vil til slutt føre til at setetrekket falmer. Dette dekkes ikke av garantien, ettersom det regnes som normal slitasje.
- Hånder setet forsiktig. Vær oppmerksom på at nettingstoffet på baksiden lett kan skrapes opp, og andre skader enn fabrikkskader på nettingen dekkes ikke av garantien.

Tak, fordi du har valgt Axxkid One.

Læs denne vejledning, før du installerer Axxkid One-autostolen i bilen. Du kan finde flere oplysninger og installationsvideoer på www.axxkid.com.

Axxkid One 2-autostolen er en bagudvendt autostol, der er godkendt til børn med en højde på 61-125 cm og med en vægt på op til 23 kg.

Axxkid One+ 2 autostolen er en bagudvendt autostol, der er godkendt til børn med en højde på 40-125 cm og med en vægt på op til 23 kg.

Dette er en i-Size forbedret barnefastholdelsesanordning. Den er UN R129-godkendt brug i biler med i-Size-kompatible siddepladser som angivet af bilproducenter i bilens vejledning. Hvis du er i tvivl, kan du kontakte producenten af den forbedrede barnefastholdelsesanordning (www.axxkid.com) eller forhandleren.

Vigtige oplysninger

Vær opmærksom på følgende af hensyn til barnets sikkerhed:

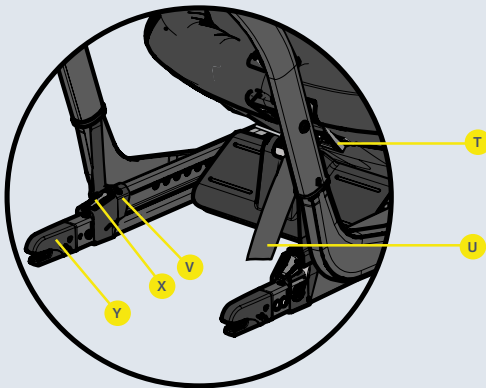
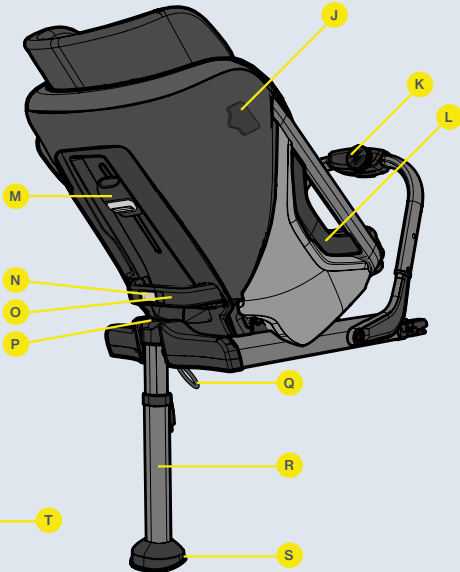
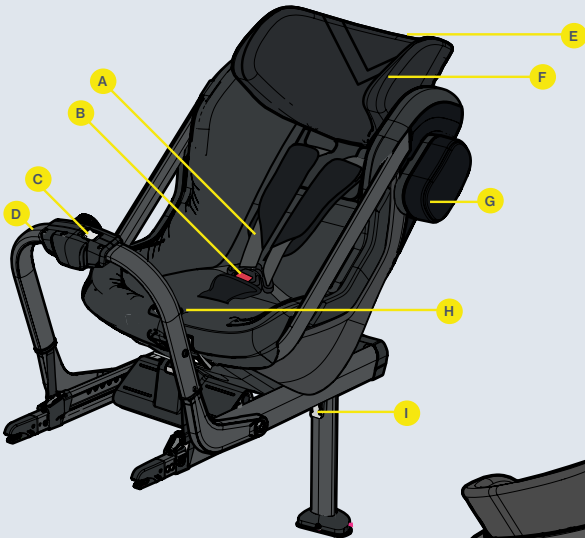
- Følg altid instruktionerne i denne vejledning. Forkert installation kan have alvorlige konsekvenser for dit barns sikkerhed. Hvis du er i tvivl, skal du kontakte forhandleren, som kan vise, hvordan du foretager korrekt installation.
- Gem denne vejledning til senere brug. Hvis vejledningen bliver væk, kan du finde den online på www.axxkid.com
- Axxkid One-autostolen må ikke bruges på en siddeplads, hvor der er monteret en aktiv frontairbag. Hvis du stadig ønsker at installere Axxkid One-autostolen på denne placering, skal airbaggen frakobles i henhold til bilproducentens anvisninger.
- Hvis du skulle ske komme ud for en ulykke, skal autostolen altid udskiftes, uanset hvor alvorlig ulykken er. Der kan opstå ikke-synlige skader, som kan have alvorlige konsekvenser for dit barns sikkerhed. Derfor anbefaler Axxkid ikke at købe brugte autostole.
- Hvis Axxkid One-autostolen har været udsat for direkte sollys, skal du sørge for, at autostolen ikke er for varm, før du sætter dit barn på plads.
- Efterlad aldrig dit barn i køretøjet uden opsyn.
- Sørg for, at bagage eller løse genstande er sikret i bilen, da de kan forårsage personskade i tilfælde af en ulykke.
- Sørg for, at Axxkid One-autostolen er monteret, så ingen dele kommer til at hænge fast i bevægelige sæder, bildøre osv.
- Axxkid One-autostol må kun monteres bagudvendt.
- Sørg altid for, at selen er justeret, så den passer korrekt til barnets krop. Selen justeres ved at flytte hovedstøtten.
- Sørg for, at barnets ryg skubbes mod autostolen, når barnet fastholdes med selen.
- Selen skal altid sidde stramt ind mod barnet, og spændet skal være helt låst. Det bør ikke være muligt at trække ud i stropperne.
- Sørg for, at selen ikke er snoet.
- Støttebenet skal altid være i den korrekte position og have kontakt til bilens gulv. Kontroller, at indikatoren foroven på støttebenet er grøn, og at du ikke kan høre nogen biplyd fra støttebenet.
- Forsøg ikke at demontere eller ændre nogen dele af Axxkid One-autostolen. Det kan påvirke både garantien og Axxkid One-autostolens sikkerhed.
- Brug aldrig Axxkid One-autostolen uden stolens tekstilbetræk. Stolens tekstilbetræk er en sikkerhedsforanstaltning og må kun udskiftes med et originalt Axxkid-tekstilbetræk.
- Læs vejledningen til bilen for at finde ud af, hvilke siddepladser der er egnede til denne autostol.
- Axxkid anbefaler altid at bruge sædebeskyttelse for at beskytte bilsædet mod skrammer og snavs.
- Hvis du er i tvivl, kan du kontakte den forhandler, hvor autostolen er købt, eller kontakte info@axxkid.com

Indholdsfortegnelse

	94
Dele	
Tilladt og ikke-tilladt placering af Axxid One-autostolen	96
Installation af Axxid One-autostolen i bilen	97
Fastholdelse af barnet i Axxid One-autostolen	98
Justering af stolen	99
Justering af Axxid One-autostolen	99
Fjernelse af Axxid One-autostolen fra bilen	100
Pleje og vedligeholdelse	100
Garanti	101

DK

Dele



skulderstropper (A)	knapper til justering af hovedstøtte (M)
knap til åbning af spænde (B)	knap til justering af benplads (N)
knap til frigørelse af den forreste skinne (C)	bagerste håndtag (O)
forreste skinne (D)	indikator for støttebensposition (P)
hovedstøtte (E)	strop til frigørelse af støtteben (Q)
øjnehøjdeindikatorer (F)	støtteben (R)
ASIP-pude (G)	lydindikator (S)
greb til justering af hældningsposition (H)	seleudløserknap (T)
knap til støtteben (I)	strop til stramning af sele (U)
ASIP-beslag (J)	ISOFIX-låseindikatorer (V)
greb til forreste skinne (K)	ISOFIX-knapper (X)
sidebetræk (L)	ISOFIX-beslag (Y)

Tilladt og ikke-tilladt placering af Axxkid One-autostolen

Axxkid One-autostolen må kun monteres bagudvendt vha. ISOFIX. Den er godkendt til brug på alle i-Size-godkendte siddepladser, men passer muligvis også til andre ISOFIX-siddepladser, der ikke er i-Size-godkendte. Se vejledningen til bilen for at finde passende siddepladser, og tjek køretøjslisten på www.axxkid.com.

Forsæde med ISOFIX (uden aktiv airbag)	JA/NEJ*
Forsæde med ISOFIX (aktiv airbag)	NEJ
Bagsæde med ISOFIX	JA
Sidesæde og bagudvendte sæder med ISOFIX	NEJ
Sæder uden ISOFIX	NEJ



VIGTIGT: Hvis du ønsker at installere Axxkid One-autostolen på et sted, hvor der er monteret en frontairbag, skal airbaggen frakobles i henhold til bilproducentens anvisninger. Bemærk, at nogle køretøjer kræver, at et autoriseret servicecenter frakobler airbaggen.

* De generelle trafikbestemmelser i Spanien fastslår i artikel 117, at det uden undtagelse er forbudt at køre med børn med en højde på 135 cm eller mindre siddende på køretøjets forsæder.



Anbring aldrig en barnefastholdelsesordning på et passagersæde, hvor der er monteret en aktiv airbag.





Installation af Axxid One-autostolen i bilen

1

Før Axxid One-autostolen installeres i bilen, skal du minimere størrølsen ved at løsne knap til justering af benplads (N) og skubbe sædet mod forreste skinne (D). Fold støtteben (R) ned, indtil der lyder et klik, og indikator for støttebensposition (P) bliver grøn.

2

Løsn knap til frigørelse af den forreste skinne (C), og fold forreste skinne (D) frem mod sædet. Hold i forreste skinne (D) med den ene hånd, tag fat i bagerste håndtag (O) med den anden hånd, og løft Axxid One-autostolen ind i bilen med forreste skinne (D) først, og vend den derefter til bagudvendt position.

3

Tryk ISOFIX-låseindikatorer (V) ind i ISOFIX-forbindelsespunkterne i bilen, indtil der lyder et klik, og begge ISOFIX-låseindikatorer (V) bliver grønne.

4

Slip forreste skinne (D), som derefter begynder at blive spændt mod bilsædet. Når den stopper, skal du dreje greb til forreste skinne (K) med uret, indtil du kan mærke og høre et klik. forreste skinne (D) bør nu være presset hårdt mod bilsædet. greb til forreste skinne (K) har en indbygget momentbegrænser, og klikket indikerer, at forreste skinne (D) er strammet korrekt og ikke kan strammes mere.

5

Tryk på knap til støtteben (I), og træk støtteben (R) nedad, indtil det er i kontakt med bilens gulv. Slip knap til støtteben (I), og løft autostolen opad for at forlænge støtteben (R) yderligere, indtil der lyder et klik. støtteben (R) bør nu være låst og presset hårdt mod bilens gulv. Bemærk: Axxid One-autostolen er udstyret med en bippende lydindikator (S), der bliver ved med at bippe, indtil støtteben (R) er solidt presset mod gulvet, hvilket indikerer korrekt installation.

6

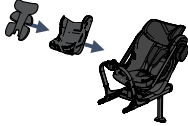


Tryk ASIP-pude (G) ind i rillerne på ASIP-beslag (J), og skub nedad. ASIP-pude (G) klikker på plads. Hvis der sidder et plastdæksel på ASIP-beslag (J), skal du fjerne det og placere det på ASIP-beslag (J) på den modsatte side af sædet, før du monterer ASIP-pude (G). Sørg for, at ASIP-pude (G) er fastgjort på den side af Axxid One-autostolen, der er tættest på bildøren.

DK



Fastholdelse af barnet i Axxkid One-autostolen

Før du placerer barnet i Axxkid One-autostolen, skal du sikre, at de korrekte indlæg er monteret i stolen. Axxkid One er designet til at vokse sammen med dit barn og sikre en behagelig og sikker pasform for alle børn. Axxkid anbefaler at bruge det relevante indlæg, indtil det er for stramt for barnet, men ud fra en minimumshøjde i henhold til tabellen nedenfor (bemærk, at alderen blot er vejledende):

Alder	Højde	
Spædbarn 0-6 måneder (kun Axxkid One+)	0 – 60 cm	
Småbarn 0-3 år	61 – 105 cm	
Barn 3-7 år	105 – 125 cm	

7

Løsn selen ved at trykke på seleudløserknap (T) og samtidig trække ud i begge skulderstropper (A). Undgå kun at trække i én sele ad gangen, da det kan medføre, at skulderstropper (A) bliver ujævne.

8

Lås spændet op ved at trykke på knap til åbning af spænde (B), og placer stropperne uden for stolen.

9

Anbring barnet i stolen, og anbring skulderstropper (A) over barnets skulder. Lås selen ved først at samle de dele af spændet, der er fastgjort til skulderstropper (A), og derefter skubbe dem ind i spændet, indtil der lyder et klik.

10

Juster hovedstøtte (E), indtil øjenhøjdeindikatorer (F) er ud for barnets øjne, ved at trykke på begge knapper til justering af hovedstøtte (M) og skubbe opad eller nedad.
Bemærk: øjenhøjdeindikatorer (F) må ikke anvendes ved brug af spædbarnsindlæg (kun Axxkid One+). Ved brug af Axxkid One+ til spædbørn skal det altid sikres, at hovedstøtten er i den laveste position.

11

Kontroller, at skulderstropper (A) går gennem stolen direkte fra dit barns skuldre eller højst 1 cm over. Det kan være nødvendigt at justere hovedstøtte (E) igen, selvom det betyder, at øjenhøjdeindikatoren ikke passer med dit barns øjne. Træk nu i skulderstropper (A) for at stramme selen over barnets hofter. Mens skulderstropper (A) stadig er strammet, skal du trække i strop til stramning af sele (U), indtil selen er strammet tilstrækkeligt. Du bør ikke kunne få mere end én finger ind mellem skulderstropper (A) og barnets skuldre.



Justering af stolen

Når Axxkid One-autostolen er installeret i bilen, kan du nemt justere både benplads og hældningsposition for dit barn. Dette kan også gøres, mens barnet sidder i autostolen.

For at sikre en god pasform i alle biler og give dit barn den bedste beskyttelse anbefaler Axxkid på det kraftigste, at du bruger de faste positioner, der er markeret på siden af autostolen. Efterhånden som dit barn vokser, er det vigtigt at justere hældningen til en mere oprejst position, så barnets hals beskyttes bedst muligt i tilfælde af en ulykke.

Størrelsesindikationen er baseret på barnets højde. Sørg for, at begge pile peger på den korrekte zone.

Alder	Højde	
Spædbarn 0-6 måneder (kun Axxkid One +)	Maksimal hældning Korteste benplads	0-60 cm
Småbarn 0-3 år	Alle hældningspositioner Flere benpladspositioner	61-105 cm
Barn 3-7 år	Maksimal oprejst position Mest benplads	106-125 cm

DK

Justering af Axxkid One-autostolen

- Benpladsen justeres ved at løsne knappen til justering af benplads og skubbe stolen frem eller tilbage. For at undgå, at Axxkid One ved et uheld glider fremad, skal du tage fat i det bagerste håndtag (O) og forsigtigt trække bagud, før du løsner knappen til justering af benplads (N).
- Autostolens hældningsposition kan justeres ved at dreje grebet til justering af hældningsposition (H).



Fjernelse af Axxkid One-autostolen fra bilen

- Tryk på knappen til støttebenet (I), og slå støttebenet (R) sammen til den korteste position.
- Tryk på knappen til frigørelse af den forreste skinne, og fold den forreste skinne (D) ind mod stolen, så stolen ikke længere sidder i spænd mod bilsædet.
- Løsn ISOFIX-beslagene (Y) ved at trykke ned på ISOFIX-knapperne (X), og skub dem derefter bagud og væk fra bilsædet.
- Hold i den forreste skinne (D) med den ene hånd, tag fat i det bagerste håndtag (O) med den anden hånd, og løft Axxkid One-autostolen ud af bilen.
- Fold støttebenet (R) op ved at trække i stropen til frigørelse af støttebenet (Q) og folde støttebenet (R) opad.

Pleje og vedligeholdelse

- Stolens tekstilbetræk kan maskinvaskes ved 30 °C med et mildt vaskeprogram. Kom ikke betrækket i en tørretumbler, da det kan beskadige betrækket, og polstringen kan løsne sig fra stoffet. Besøg www.axkid.com for at finde videoer, der forklarer, hvordan du tager betrækket af og sætter det på igen.
- Tekstilbetrækket tages af stolen ved at trække udad i sidebetrækket (L) og løsne velcroen. Lyn lynlåsene på ryglænet op, og tag forsigtigt betrækket af stolen. Læg mærke til, hvordan det er fastgjort på stolen, så det er nemmere at sætte det på igen. Når sidebetrækket (L) sættes på igen, skal du føre det ind under aluminiumsrammen og blot trykke det tilbage ind i fastgørelsestilbehøret. Du kan fjerne hovedstøttens betræk ved at lyne lynlåsene forned på hovedstøtten op og forsigtigt fjerne betrækket.
- Hvis stolens betræk skal udskiftes, må der kun anvendes originale produkter fra Axxkid. Hvis der bruges andre produkter, kan det forringe Axxkid One-autostolens sikkerhedssystem og medføre alvorlig personskade i tilfælde af en ulykke.
- Alle plastdele på Axxkid One-autostolen kan rengøres med mildt rengøringsmiddel og vand. Brug ikke aggressive kemikalier, der indeholder opløsningsmidler eller lignende, da det kan beskadige pladen og betyde, at autostolen ikke er sikker.
- Alle materialer, der anvendes i Axxkid One-autostolen, kan genbruges og skal genbruges i henhold til den lokale lovgivning. Spørg din lokale genbrugsplads til råds angående genbrug af dette produkt.
- Lydindikatoren indeholder et udskifteligt CR1632-batteri. Fjern og genbrug batteriet i henhold til den lokale lovgivning, når Axxkid One-autostolen ikke længere skal bruges. Løsn de to skruer forned på støttebenet (R), og fjern dækslet for at få adgang til batteriet.
- Foretag ingen ændringer af Axxkid One-autostolen ud over dem, der er beskrevet i denne vejledning.
- Eventuelle reparationer skal udføres af producenten eller forhandleren.

Garanti

Axkid One-autostolen er dækket af 24 måneders garanti fra købsdatoen. Sørg for at gemme din kvittering og medbringe den til købsstedet, hvis du har garantiproblemer.

Garantien dækker ikke:

- Normal slitage.
- Skader som følge af forkert brug, forsømmelse eller ulykker.
- Hvis reparationer er udført af en tredjepart.
- Alle anvendte materialer har en meget høj UV-bestandighed. UV-lys er dog meget aggressivt og vil i sidste ende medføre, at stolens betræk falmer. Dette er ikke dækket af vores garanti, da det betragtes som normal slitage.
- Håndter stolen forsigtigt. Bemærk, at netstoffet bagpå let bliver skrammet, og at skader ud over defekt netstof fra fabrikkens side ikke er dækket af garantien.

Kiitos, että valitsit Axxkid One lapsen turvaistuimen.

Lue huolellisesti tämä käyttöohje ennen kuin otat istuimen käyttöön. Osoitteesta www.axkid.com löydät enemmän informaatiota istuimen asennuksesta.

Axxkid One 2 turvaistuin on hyväksytty käytettäväksi selkämenosuuntaan lapsille joiden pituus on 61-125 cm ja enimmäispaino 23 kg

Axxkid One+ 2 One turvaistuin on hyväksytty käytettäväksi selkämenosuuntaan lapsille joiden pituus on 40-125 cm ja enimmäispaino 23 kg

Tämä on i-Size hyväksytty lasten turvaistuin. Turvaistuin on hyväksytty standardin EN 129 mukaan käytettäväksi i-size yhteensopivilla auton istuinpaikoilla ajoneuvon valmistajan ohjeiden mukaisesti. Epävarmoissa tilanteissa ole yhteydessä joko turvaistuimen valmistajaan tai jälleenmyyjään.

Tärkeää tietoa

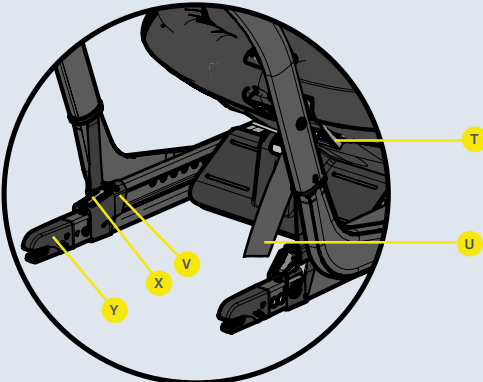
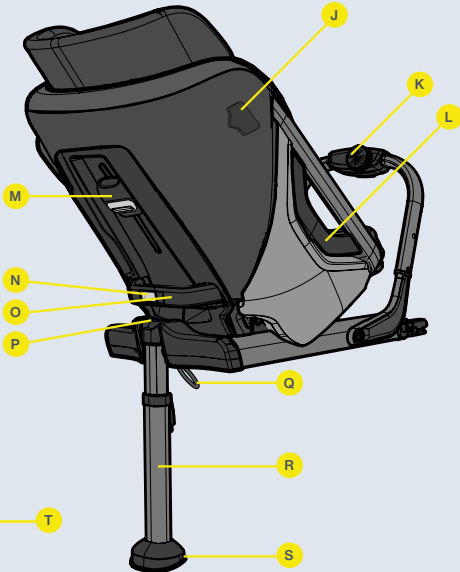
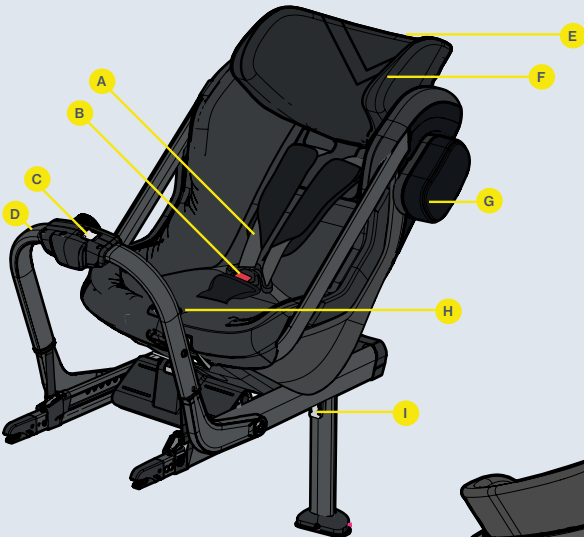
Varmistaaksesi lapsen turvallisuuden, pidä seuraavat asiat mielessä:

- Noudata aina tämän käyttöohjeen ohjeita. Istuimen vääränlainen asennus voi oleellisesti heikentää lapsesi turvallisuutta.
- Säilytä tämä käyttöohje mahdollista tulevaa käyttöä varten. Tarvittaessa löydät ohjeen myös osoitteesta www.axkid.com.
- Älä koskaan asenna Axxkid One turvaistuinta auton sellaiselle paikalle missä on aktiivinen etuturvavyö. Jos kuitenkin päättää asentaa istuimen auton sellaiselle paikalle, jossa on etuturvavyö, tulee tämä poistaa käytöstä valmistajan ohjeiden mukaisesti.
- Turvaistuin tulee aina poistaa käytöstä mahdollisen onnettomuuden jälkeen, vaikka kyseessä olisi ollut hyvinkin pieni kolari. Istuimen tarkastaminen mahdollisten piilevien vaurioiden osalta on mahdotonta ja tämän vuoksi tulee istuimien uusia mahdollisen onnettomuuden jälkeen. Axxkid ei suosittele käytetyn istuimen hankintaa.
- Jos turvaistuin on altistunut suoralle auringonvalolle, tarkista aina ennen käyttöä, ettei istuin ole liian kuuma lapselle.
- Älä koskaan jätä lasta autoon ilman aikuisen henkilön valvontaa.
- Tarkista aina ennen liikkeelle lähtöä, että autossa olevat esineet on asianmukaisesti pakattu. Irtoesineet voivat mahdollisen onnettomuuden sattuessa aiheuttaa matkustajille vahinkoa.
- Tarkista aina ennen käyttöä, että istuin on asennettu siten, ettei auton liikkuvat osat, kuten ovi, voi tarttua istuimeen.
- Axxkid one turvaistuin voidaan asentaa ainoastaan selkämenosuuntaan.
- Tarkista aina ennen käyttöä, että istuimen vyöt on oikein asennettu lapselle. Olkavöiden korkeuden säätö tapahtuu säätämällä istuimen päntukea.
- Tarkista aina ennen kuin kiristät vyöt, että lapsen selkä on tukevasti turvaistuimen selkänöjää vasten.
- Tarkista aina, että istuimen vyöt on kunnolla kiristetty ja lapsi istuu tukevasti turvaistuimessa.
- Tarkista aina, että istuimen vyöt eivät ole kierteellä.
- Tarkista aina, että turvaistuimen tukijalka on tukevasti ajoneuvon lattiaa vasten. Tarkista, että tukijalan indikaattori on vihreänä eikä tukijalasta kuulu piippaavaa ääntä.
- Älä koskaan tee turvaistuimen rakenteeseen muutoksia. Nämä saattavat vaikuttaa Äolennaisesti istuimen turvallisuuteen.
- Älä koskaan käytä Axxkid One turvaistuinta ilman istuinkangasta. Istuinkangas on olennainen osa istuimen turvallisuutta.
- Tarkista ajoneuvon käyttöohjeesta istuimelle paras asennuspaikka.
- Axxkid suosittelee käytettäväksi penkin kurasuojaa turvaistuimen alla suojamaan auton istuinta lialta ja kulumalta.
- Mahdollisissa ongelmatilanteissa pyydämme Teitä ottamaan yhteyttä istuimen jälleenmyyjään.

Sisältö

Istuimen osat	104
Sallitut ja kielletyt paikat asentaa istuin autoon.	106
Axjid One turvaistuimen asentaminen autoon	107
Lapsen kiinnittäminen turvaistuimeen	108
Turvaistuimen säädöt	109
Turvaistuimen säätäminen	109
Turvaistuimen irrottaminen autosta	110
Huolto ja kunnossapito	110
Takuu	111

Osat



A. Olkavyöt
B. Haaralukko
C. Etutukiraudan vapautin
D. Etutukirauta
E. Päätuki
F. Silmien korkeuden indikaattori
G. ASIP sivutörmäyssuoja
H. Kallistuksen säätö
I. Takatukiraudan säätönappula
J. ASIP sivutörmäyssuoja kiinnike
K. Etutukiraudan säätöpyörä
L. Sivusuoja

M. Päätuen säätönappi
N. Jalkatuen säätönappi
O. Selkänojan kahva
P. Takatukijalan indikaattori
Q. Takatukijalan vapautusremmi
R. Takatukijalka
S. Ääni-indikaattori
T. Vöiden vapautuspainike
U. Valjaiden kiristyshihna
V. ISOFIX lukituksen indikaattorit
X. ISOFIX painike
Y. ISOFIX kiinnike

Sallitut ja kielletyt paikat asentaa istuin autoon.

Axkid One turvaistuin voidaan asentaa autoon vain selkämenosuuntaan ISOFIX kiinnikkeillä. Turvaistuin on hyväksytty käytettäväksi kaikissa i-size hyväksytyillä auton istuimilla mutta se saattaa sopia myös muihin ei i-size hyväksytyille auton ISOFIX paikoille. Tarkista auton käyttöohjeesta istuimelle sopiva paikka autosta. Tarkista myös ajoneuvoluettelo meidän kotisivuilta osoitteesta www.axkid.com

Etuistumelle kiinnitys ISOFIXillä (ei aktiivista etuturvatyynyä)	KYLLÄ/EI*
Etuistumelle kiinnitys ISOFIXillä (aktiivinen etuturvatyyny)	EI
Takaistumella kiinnitys ISOFIXILLÄ	KYLLÄ
Sivuttain ja selkämenosuuntaan asennetuilla istuimilla ISOFIX kiinnityksellä	EI
Ilman ISOFIX valmiutta olevalle istuimelle	EI



TÄRKEÄÄ: Jos tahdot asentaa Axkid One istuimen auton sellaiselle paikalle, jossa on aktiivinen etuturvatyyny, Tulee etuturvatyyny ensiksi kytkeä poisikäytöstä auton valmistaja ohjeen mukaisesti. Huomaa, että tietyissä tapauksissa tämän toimenpiteen tulee tehdä valtuutettu merkkihuolto.

*Espanjan liikennesäännös artikla 117 kieltää kuljettamasta auton etuistumella 135 cm tai lyhyempää lasta, ilman poikkeuksia.



Älä koskaan asenna lapsen turvaistuinta auton sellaiselle paikalle jossa on aktiivinen etuturvatyyny.





Axkid One turvaistuimen asentaminen autoon

1

Ennen istuimen asennusta autoon säädä turvaistuimen jalkatila minimiin vapauttamalla jalkatuen säätönappi (N) ja viemällä istuin mahdollisimman lähelle etutukirautaa (D). Taita tukirautaa (R) alas kunnes kuuluu "klikk"-ääni ja tukijalan indikaattori (P) muuttuu vihreäksi.

2

Vapauta etutukiraudan vapautin painike (C) ja taita etutukirautaa (D) istuinta vasten. Pidä toisella kädellä kiinni etutukiraudasta ja toisella istuimen selkänöjan takana olevasta kahvasta (O). Nosta istuin autoon etutukirautaa (D) edellä siten että istuin tulee selkämönosuuntaan.

3

Työnnä turvaistuimen ISOFIX kiinnikkeet (Y) auton ISOFIX kiinnityskohtiin kunnes kuuluu "klikk"-ääni ja ISOFIXien väri-indikaattorit (V) muuttuvat vihreiksi havainnollistamaan istuimen oikeanlaisen kiinnityksen.

4

Päästä irti turvaistuimen etuturvakaaresta (D), joka alkaa kiristää itseään auton istuimen selkänöjaa vasten. Kun etuturvakaari on kiristynyt selkänöjaa vaste, kierrä etuturvakaaren säätöpyörä (K) myötöpäivään lukittuun asentoon. Etuturvakaaren pitäisi nyt olla lukittunut tukevasti auton selkänöjaa vasten. Etuturvakaaren säätöpyörässä on sisäänrakennettu vääntömomentin rajoitin, joka napsahtelemalla osoittaa, että etutuki (D) on kiristetty kunnolla eikä sitä voida kiristää enempää.

5

Paina takatukijalan painiketta (I) ja vedä takatukijalka (R) alas kunnes se on tukevasti auton lattiaa vasten. Päästä painike (I) ja nosta turvaistuinta vielä sen verran että takatukijalka (R) lukittuu ja "klikk"-ääni kuuluu. Takatukijalan pitäisi nyt olla lukittunut paikoilleen ja olla tukevasti auton lattiaa vasten. Huomaa: Axkid One turvaistuin on varustettu piip ääntä pitävällä ääni-indikaattorilla (S), joka pitää "piip"-ääntä kunnes tukijalka on asennettu tukevasti auton lattiaa vasten.

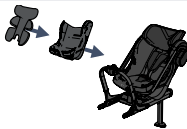


6

Työnnä ASIP sivusuoja (G) paikoilleen omaan kiinnikkeeseen (J) ja paina varovasti alaspäin. ASIP sivusuoja lukittu paikoilleen. Mikäli ASIP kiinnikkeessä (J) on muovinen suoja, irrota tämä ja kiinnitä istuimen toiselle puolelle. Tarkista, että ASIP sivusuoja on kiinnitetty auton oven puoleiselle puolelle autoa.



Lapsen asettaminen Axxid One turvaistuimeen

Ennen kuin nostat lapsen turvaistuimeen tarkista, että sinulla on istuimessa oikeat tyynyt ja pienentimet. Axxid One suunniteltu kasvamaan lapsen mukana ja tarjoamaan mukavuutta ja turvallisuutta lapselle koko käyttöönsä. Axxid suosittelee, että asianmukaista pienennintä käytetään kunnes istuin käy lapselle liian ahtaaksi, mutta kuitenkin vähintään lapsen minimittaan alla olevan taulukon mukaisesti:

Ikä	Pituus	
Vauva 0-6kk (Axxid One + only)	0 – 60 cm	
Lapsi 0-3 vuotta	61 – 105 cm	
Lapsi 3-7 Vuotta	105 – 125 cm	

7

Löysää lapsen vöitä painamalla vöiden vapautuspainiketta (T) samalla vetäen kumpaakin olkavyötä (A) ulos istuimen selkänajasta. Älä koskaan vedä vöitä ulos vain pitämällä kiinni toisesta olkavyöstä.

8

Avaa lapsen vöiden lukko painamalla vapautuspainiketta (B) ja nosta olkavyöt sivuun istuinosan ulkopuolelle.

9

Nosta lapsi istuimeen ja pujota olkavyöt (A) lapsen olkapäiden yli. Kiinnitä vyöt siten, että ensiksi liität yhteen olkavöiden soljet toisiinsa ja sitten pujotat nämä soljet yhteen sovitettuna haaralukkoon. Kuuluu "klikk"-ääni kun lukko lukittuu.

10

Säädä turvaistuimen pääntuki (E) siten, että silmien korkeudensäädön indikaattori (F) on samalla tasolla lapsen silmien kanssa. Säädä pääntukea painamalla pääntuen säätönappeja (M) samalla säätäen pääntuki halutulle tasolle. Huomaa: Silmien korkeuden indikaattoria (F) ei tule käyttää kun vauvapienennintä (Axxid One + Only). Kun Axxid One istuinta käytetään vauvapienentimellä tulee pääntuki olla sen alimassa asennossa.

11

Tarkista aina, että olkavyöt (A) menevät linjassa tai enintään 1 cm olkapäitä korkeammalta turvaistuimen selkänajan läpi. Tarvittaessa säädä pääntukea (E) vaikka silmien korkeuden indikaattori ei olisikaan aivan linjassa. Aloita vöiden kiristys vetämällä ensiksi olkavöistä (A) kiristääkseen vyöt lapsen lantion ympärille. Tämän jälkeen kiristä olkavyöt (A) lapselle vetämällä vöiden kiristyshihnasta (U). Kiristä vyöt siten, että olkavyön (A) ja lapsen olkapäiden väliin ei mahdu enempää kuin yksi sormi.



Turvaistuimen säädöt

Kun Axkid One turvaistuin on asennettu autoon voit helposti säätää jalkatilan suuruutta ja selkänöjan kallistuskulmaa. Voit säätää istuinta myös silloin kun lapsi istuu turvaistuimessa.

Varmistaaksemme istuimen parhaan mahdollisen asennuksen ja lapsen turvallisuuden, suosittelemme että noudat istuimen kyljessä olevaa käyttöikä opastusta. Lapsen kasvaessa on tärkeää säätää turvaistuin istuvampaan asentoon, jotta istuin suojaisi lapsen niskaaparhaalla mahdollisella tavalla mahdollisen onnettomuuden sattuessa.

Kokomääritelmä perustuu lapsen pituuteen. Tarkista että nuolet tulevat kummassakin määritelmässä oikeisiin lokeroihin:

Ikä	Säätö	
Vauva 0-6kk (Axkid One + only)	Suuri kallistus pieni jalkatila	0-60 cm
Lapsi 0-3 vuotta	Kaikki kallistuskulmat Useampi jalkatilan asento	61-105 cm
Lapsi 3-7 vuotta	Selkänöja pystyasentoon Suurin mahdollinen jalkatila	106-125 cm

FI

Axkid One turvaistuimen säätäminen

- Axkid One turvaistuimen jalkatila säädetään vapauttamalla jalkatilan säätönappi (N) samalla säätäen istuin toivottuun asentoon. Välttyäkseen istuimen tahattomalta liukumiselta eteenpäin, ota toisella kädellä kiinni istuimen selkänöjan takana olevasta kahvasta, ennen vapautuspainikkeen (N) painamista.
- Turvaistuimen kallistuksen kulmaa voidaan säätää kallistuksen säätönappilla (H)



Axkid One istuimen poistaminen autosta

- Paina takatukiraudan säätönappia ja säädä tukijalka lyhyimpään asentoon
- Vapauta etutukiraudan lukitsin (C) ja taita etutukirauta (D) istuinta kohden vapauttaaksesi istuimen jännityksestä.
- Irrota istuimen ISOFIX kynnet (Y) auton ISOFIX kiinnikkeistä painamalla ISOFIX painikkeet (X) alas ja vetämällä ISOFIX kynnet pois kiinnikkeistä.
- Pidä toisella kädellä ote etutukiraudasta (D). Tartu toisella kädellä istuimen selkänöjan takana olevaan kahvaan (O) ja nosta istuin pois autosta.
- Nosta takatukirauta (R) ylös tukijalan säätöhihnan (Q) avulla.

Hoito ja kunnossapito

- Turvaistuimen istuinkangas voidaan konepestä hienopesuohjelmalla 30°C. Älä koskaan laita kangasta kuivausrumpuun, sillä tämä saattaa vahingoittaa kangasta. Kankaan pehmuste saattaa irrota kankaasta. Osoitteesta www.axkid.com löytyy ohje kuinka istuinkangas saadaan irrotettua istuinrungosta.
- Irrottaaksesi istuinkankaan istuinrungosta vedä varovasti sivusuojaa (L) ulospäin ja avaa tarranauha. Avaa selkänöjan takana oleva vetoketju ja poista istuinkangas varovasti. Huomioi kuinka kangas in kiinnitettynä istuimen eri kohtiin, jotta sen uudelleen asennus olisi helpompaa. Kun asennat Sivusuojan (L) takaisin, asenna se aluminisen rungon alle napsauttamalla se paikoilleen. Pääntuen kangas irrotetaan avaamalla sen takana olevat vetoketjut.
- Mikäli istuinkangas jostakin syystä tulee uusia, älä käytä muita kuin valmistajan hyväksymiä alkuperäisiä varaosia. Muiden kuin valmistajan hyväksymät varaosat voivat heikentää lapsen turvallisuutta dramaattisesti.
- Istuimen kaikki muoviosat voidaan puhdistaa miedolla pesuaineella ja vedellä. Älä käytä voimakkaita kemikaaleja tai liuottimia, jotka voivat vahingoittaa istuimen muoviosia.
- Kaikki Axkid One turvaistuimen osat ovat kierrätyskelpoisia ja ne tulisi kierrättää paikallisten ohjeiden mukaisesti.
- Takatukijalan ääni-indikaattori (S) sisältää nappipariston CR1632. irrota paristo ja kierrätä paristo paikallisten ohjeiden mukaisesti. Avaa takatukijalan (R) pohjassa olevat kaksi ruuvia, jotta kyseinen paristo voidaan poistaa.
- Älä koskaan te turvaistuimeen muutoksia tai modifioi sitä millään tavoin. Muutokset saattavat heikentää istuimen antamaa turvaa ja lapsen turvallisuus voi heikentyä.
- Istuimeen tehtävät mahdolliset korjaustoimenpiteet tulee suorittaa joko valmistaja tai valtuutettu jälleenmyyjä.

Takuu

Axkid One turvaistuimella on 2 vuoden takuu, joka astuu voimaan ostopäivämäärästä. Säilytä kuitti ja ota se mukaan asioidessasi mahdollisen takuuasian tiimoilta jälleenmyyjän luona.

Takuu ei kata:

- Normaalaa kulumista
- Vääränlaisen käytön, tuotteen laiminlyönnin tai onnettomuuden aiheuttamia virheitä.
- Mikäli mahdolliset huoltotyöt on tehnyt muu kuin valtuutettu edustaja.
- Istuimen valmistuksessa käytetyt materiaalit kestävät hyvin UV-säteilyä. Huomaa kuitenkin, että UV-säteily on erittäin voimakasta ja jättää jäljet parhaisiinkin materiaaleihin. Materiaalit saattavat haalistua UV-säteilyn vuoksi. Nämä ovat normaalia kulumista eivätkä ole reklamaation aihe.
- Käsittele istuinta huolella. Huomaa, että istuimen takaosassa oleva verkko on arkaa ja voi vahingoittua helposti. Vain valmistus- tai materiaalivirheestä johtuvat virheet kuuluvat takuun piiriin.

Paldies, ka izvēlējāties autokrēslu Axkid One

Lūdzu izlasiet šo instrukciju pirms uzstādat Axkid One autokrēslu savā automašīnā.

Lai iegūtu vairāk informācijas vai apskatītu uzstādīšanas video, lūdzam apmeklēt vietni www.axkid.com.

Axkid One 2 autokrēsls ir autokrēsls, kas apstiprināts lietošanai bērniem augumā no 61 līdz 125cm vai ar maksimāli pieļaujamo svaru 23kg.

Axkid One+ 2 autokrēsls ir autokrēsls, kas apstiprināts lietošanai bērniem augumā no 40 līdz 125cm vai ar maksimāli pieļaujamo svaru 23kg.

Ši ir uzlabota i-Size bērnu drošības sistēma. Tā ir sertificēta saskaņā ar ANO regulu Nr. 129 lietošanai i-Size saderīgās transportlīdzekļu sēdvietās, saskaņā ar automašīnu ražotāju norādēm transportlīdzekļa lietotāja rokasgrāmatā. Ja rodas šaubas, sazinieties ar uzlabotās bērnu drošības sistēmas ražotāju (www.axkid.com) vai mazumtirgotāju.

Svarīga informācija

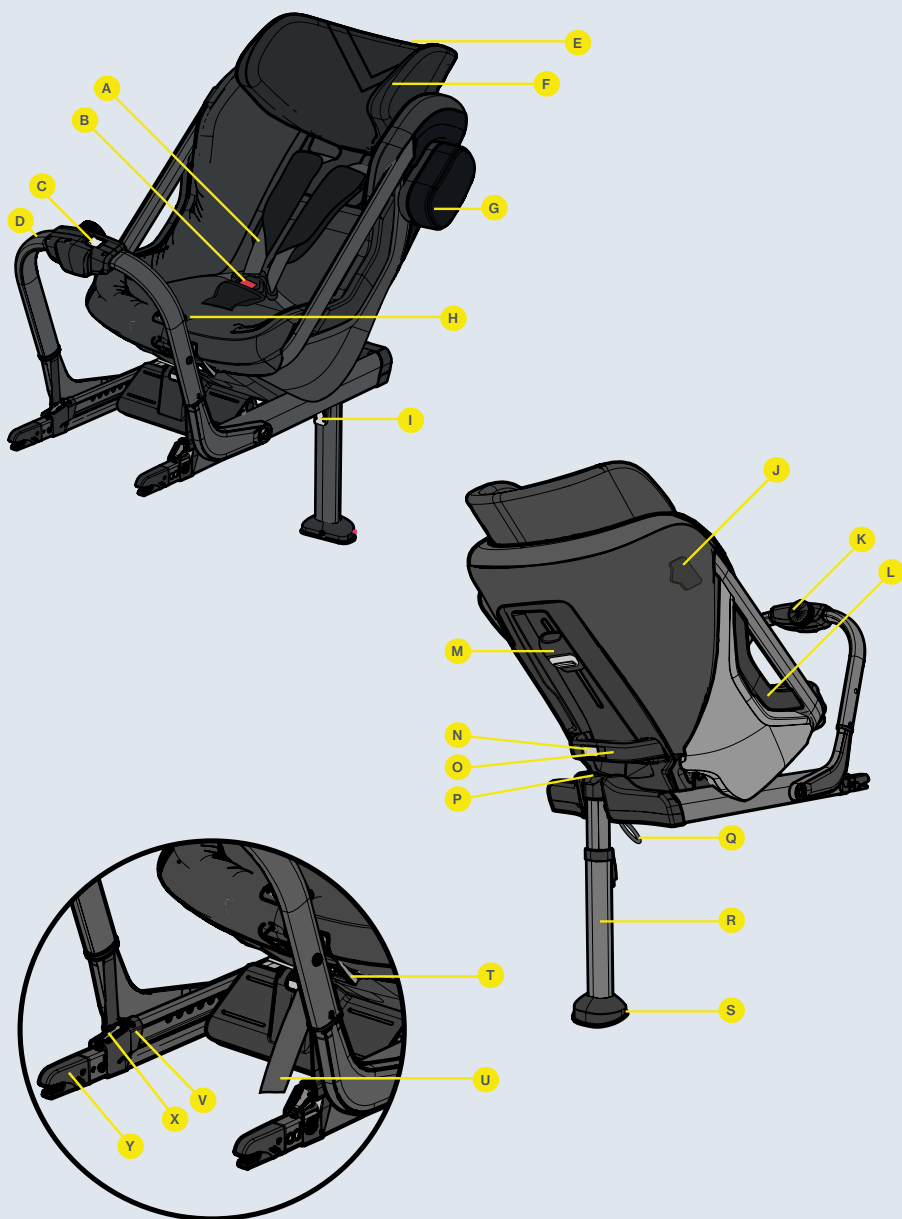
Lai maksimāli palielinātu jūsu bērna drošību, ir svarīgi atcerēties:

- Vienmēr ievērojiet šajā rokasgrāmatā sniegtos norādījumus. Nepareiza uzstādīšana var nopietni ietekmēt jūsu bērna drošību. Ja rodas šaubas, lūdzu sazinieties ar mazumtirgotāju, kurš var parādīt pareizu uzstādīšanu.
- Saglabājiet šo rokasgrāmatu turpmākai izmantošanai. Ja rokasgrāmata tiek pazaudēta, to varat atrast tiešsaistē vietnē www.axkid.com
- Nelietojiet Axkid One automašīnas sēdekli sēdvietā, kur ir uzstādīts aktīvs priekšējais gaisa spilvens. Ja jūs joprojām vēlaties uzstādīt Axkid One automašīnas sēdekli šajā vietā, drošības spilvenam jābūt atslēgtam saskaņā ar transportlīdzekļa ražotāja norādījumiem.
- Ja jums ir noticis negadījums, neatkarīgi no tā, cik neliels tas ir, jūsu automašīnas sēdeklis vienmēr jānomaina. Tam var būt radies kaitējums, kas nav vizuāls, tomēr var nopietni ietekmēt jūsu bērna drošību. Šī iemesla dēļ Axkid arī neiesaka iegādāties lietotus bērnu autosēdekļus.
- Ja Axkid One autokrēsls ir bijis pakļauts tiešiem saules stariem, pirms bērna iesēdināšanas tajā pārļiecinieties, vai automašīnas sēdekļi nav pārāk karsti.
- Nekad neatstājiet savu bērnu bez uzraudzības transportlīdzeklī.
- Pārļiecinieties, vai bagāža vai citi vaļiņi priekšmeti jūsu automašīnā ir nostiprināti, jo negadījuma gadījumā tie var savainot pasažierus.
- Pārļiecinieties, ka Axkid One autokrēsls ir uzstādīts tā, lai tā daļas netraucē kustīgu sēdvietu, automašīnas durvju u.c. kustībai.
- Axkid One autokrēslu drīkst uzstādīt tikai vērstu virzienā uz aizmuguri.
- Vienmēr pārļiecinieties, vai drošības jostas ir noregulētas tā, lai tās būtu pareizi piemērotas bērna ķermenim. Drošības jostu augstumu regulē, pārvietojot galvas atbalstu.
- Pārļiecinieties, vai nostiprinot drošības jostas, bērna mugura ir piespiesta pie automašīnas sēdekļa.
- Vienmēr pārļiecinieties, vai drošības jostas ir stingri pievilktas, pieguļ bērna ķermenim un vai sprādze ir pilnībā nofiksēta, pietiekami pievilktu drošības jostu dubultu cilpu nevajadzētu varēt satvert ar ikšķi un rādītājpirkstu.
- Pārļiecinieties, vai drošības jostas nav savērpušās.
- Vienmēr pārļiecinieties, vai atbalsta kāja ir pareizajā stāvoklī un tai ir saskare ar automašīnas grīdu. Pārbaudiet, vai atbalsta kājas augšpusē esošais indikators ir zaļš un vai no atbalsta kājas bāzes nedzirdat pikstošu skaņu.
- Nemēģiniet izjaukt vai pārveidot nevienu Axkid One autokrēsla daļu. Tas var ietekmēt Axkid One autokrēsla drošības rādītāju un garantiju.
- Nekad nelietojiet Axkid One autokrēslu bez sēdekļa auduma pārvalka. Sēdekļa auduma pārvalks ir daļa no drošības līdzekļa, un to var nomainīt tikai ar oriģinālo Axkid sēdekļa auduma pārvalku.
- Izlasiet transportlīdzekļa rokasgrāmatu, lai uzzinātu, kuras sēdvietas ir piemērotas šī autokrēsla uzstādīšanai.
- Axkid iesaka vienmēr izmantot sēdekļa aizsargpārklāju, lai aizsargātu automašīnas sēdekli no bojājumiem un netirumiem.
- Ja rodas šaubas, sazinieties ar mazumtirgotāju, pie kura tika iegādāts autokrēsls, vai sazinieties ar info@axkid.com

Satura rādītājs

Autokrēsla daļas	114
Atļautas un aizliegtas pozīcijas Axxid One autokrēsla uzstādīšanai	116
Axxid One autokrēsla uzstādīšana transportlīdzeklī	117
Bērna piesprādzēšana Axxid One autokrēslā	118
Sēdekļa regulēšana	119
Axxid One autokrēsla pielāgošana	119
Axxid One autokrēsla noņemšana	120
Apkope un uzturēšana	120
Garantija	121

Autokrēsla daļas



Plecu jostas (A)	Galvas balsta regulēšanas pogas (M)
Sprādzes atbrīvošanas poga (B)	Kāju vietas regulēšanas poga (N)
Priekšējā atbalsta atbrīvošanas poga (C)	Aizmugurējais rokturis (O)
Priekšējais atbalsts (D)	Atbalsta kājas stāvokļa indikators (P)
Galvas balsts (E)	Atbalsta kājas atbrīvošanas sikсна (Q)
Acu līmeņa indikators (F)	Atbalsta kāja (R)
ASIP drošības spilventiņš (G)	Skaņas indikators (S)
Atgāšanas stāvokļa poga (H)	Jostu atbrīvošanas poga (T)
Atbalsta kājas poga (I)	Jostu pievilšanas sikсна (U)
ASIP piestiprināšanas vieta (J)	ISOFIX savienojuma indikatori (V)
Priekšējā atbalsta poga (K)	ISOFIX pogas (X)
Sānu nosegs (L)	ISOFIX savienotāji (Y)

Atļautas un aizliegtas pozīcijas Axkid One autokrēsla uzstādīšanai

Axkid One autokrēslu var uzstādīt tikai vērstu virzienā uz aizmuguri, izmantojot ISOFIX. Tas ir apstiprināts lietošanai visās i-Size apstiprinātajās sēdvietās, bet var ietilpt arī citās - neapstiprinātās sēdvietās, ja tās aprīkotas ar ISOFIX. Pārbaudiet sava transportlīdzekļa lietošanas rokasgrāmatu, lai atrastu piemērotas sēdvietas, un pārbaudiet transportlīdzekļu sarakstu vietnē www.axkid.com

Priekšējā pasažiera sēdvietā ar ISOFIX (bez aktivizēta gaisa spilvena)	JĀ/NĒ*
Priekšējā pasažiera sēdvietā ar ISOFIX (ar aktivizētu gaisa spilvenu)	NĒ
Aizmugurējās sēdvietas ar ISOFIX	JĀ
Sēdvietas, kas vērstas atpakaļ vai uz sāniem ar ISOFIX	NĒ
Sēdvietas bez ISOFIX	NĒ



SVARĪGI: Ja vēlaties uzstādīt savu Axkid One autokrēslu vietā, kur ir uzstādīts frontālais drošības spilvens, drošības spilvens ir jāatvieno saskaņā ar jūsu automašīnas ražotāja norādījumiem. Ņemiet vērā, ka dažiem transportlīdzekļiem ir nepieciešams autorizēts servisa centrs, lai atvienotu drošības spilvenu.

* Spānijas vispārējo satiksmes noteikumu 117. pantā bez izņēmumiem ir aizliegts pārvadāt transportlīdzekļa priekšējos sēdekļos bērnus, kuru augums ir vienāds vai mazāks par 135 centimetriem.



Nekad neuzstādiet bērnu autokrēslu pasažieru sēdvietā, kas ir aprīkota ar aktivizētu gaisa spilvenu.





Axkid One automašinas sēdekļa uzstādīšana transportlīdzeklī

1

Pirms Axkid One autokrēsla uzstādīšanas automašīnā, samaziniet tā izmēru, atlaižot kāju telpas regulēšanas pogu (N) un pabīdīet sēdekli priekšējā atbalsta virzienā (D). Nolieciet atbalsta kāju (R) uz leju, līdz atskan klikšķis un atbalsta kājas stāvokļa indikators (P) kļūst zaļš.

2

Atlaidiet priekšējo atbalsta atbrīvošanas pogu (C) un salieciet priekšējo atbalstu (D) sēdekļa virzienā. Turiet priekšējo atbalstu (D) ar vienu roku un ar otru roku satveriet aizmugurējo rokturi (O), ieceliet autokrēslu Axkid One automašīnā ar priekšējo atbalstu (D) pa priekšu un pēc tam pagrieziet to uz aizmuguri vērstā pozīcijā.

3

Spiediet ISOFIX savienotājus (Y) transportlīdzekļa ISOFIX savienojuma punktus, līdz dzirdat klikšķi un abi ISOFIX savienojuma indikatori (V) kļūst zaļi.

4

Atlaidiet priekšējo atbalstu (D), kas pats nospriegosies pret transportlīdzekļa sēdekli. Kad tas apstājas, pagrieziet priekšējā atbalsta pogu (K) pulksteņrādītāja virzienā, līdz jūtat un dzirdat klikšķi, priekšējam atbalsta (D) tagad būtu jābūt stingri piespiestam pie transportlīdzekļa sēdekļa. Priekšējā atbalsta pogai (K) ir iebūvēts griezes momenta ierobežotājs, un klikšķis norāda, ka priekšējais atbalsts (D) ir pievilkts pareizi un to vairs nevar pievilkt ciešāk.

5

Nospiediet atbalsta kājas pogu (I) un velciet atbalsta kāju (R) uz leju, līdz tā saskaras ar automašīnas grīdu. Atlaidiet atbalsta kājas pogu (I) un paceliet autokrēslu uz augšu, lai turpinātu pagarināt atbalsta kāju (R), līdz dzirdat klikšķi. Atbalsta kājai (R) tagad jābūt nofiksētai un stingri piespiestai pie automašīnas grīdas. Piezīme: Axkid One autokrēsls ir aprīkots ar pikstiena skaņas indikatoru (S), kas turpinās pikstēt, līdz atbalsta kāja (R) ir stingri piespiesta pie grīdas, norādot uz pareizu uzstādīšanu.

6

Iebīdīet ASIP drošības spilventiņu (G) spraugās uz ASIP piestiprināšanas vietas (J) un slidiniet uz leju, kamēr ASIP drošības spilventiņš (G) ieklikšķinās savā vietā. Ja ASIP piestiprināšanas vietai (J) ir plastmasas pārsegs, noņemiet to un pirms ASIP drošības spilventiņa (G) uzstādīšanas novietojiet to uz ASIP piestiprināšanas vietas (J) sēdekļa pretējā pusē. Pārlecieties, ka ASIP drošības spilventiņš (G) ir piestiprināts Axkid One autokrēslam tajā pusē, kas ir vistuvāk automašīnas durvīm.



Bērna piesprādzēšana Axkid One autokrēslā

Pirms bērna piesprādzēšanas Axkid One autokrēslā, pārlicinieties, vai sēdekli ir uzstādīti pareizi ieliktnī. Axkid One ir paredzēts, lai augtu kopā ar jūsu bērnu un nodrošinātu ērtu un drošu piemērotību bērniem jebkurā vecumā. Axkid iesaka izmantot attiecīgo ieliktni, līdz tas ir pārāk ciešs jūsu bērnam, bet līdz minimālajam augumam saskaņā ar tabulu zemāk (ņemiet vērā, ka norādītais vecums ir tikai indikatīvs):

Vecums	Augums	
Zidainis 0-6 mēneši (tikai modelim Axkid One +)	0 – 60 cm	
Mazs bērns 0-3 gadi	61 – 105 cm	
Bērns 3-7 gadi	105 – 125 cm	

7

Atbrīvojiet plecu jostas (A), nospiežot jostu atbrīvošanas pogu (T), un vienlaikus izvelciet abas plecu jostas (A). Nevelciet tikai vienu jostu, jo tas var izraisīt plecu jostu (A) nevienmērīgumu.

8

Atbrīvojiet sprādzi, nospiežot sprādzes atbrīvošanas pogu (B), un novietojiet jostas ārpus sēdekļa.

9

Novietojiet bērnu sēdekli un plecu jostas (A) novietojiet virs bērna pleciem. Nofiksējiet drošības jostas, vispirms savietojot kopā sprādzes daļas, kas piestiprinātas pie plecu jostām (A), un pēc tam iespiediet tās sprādzē, līdz dzirdat klikšķi.

10

Noregulējiet galvas balstu (E), līdz acu līmeņa indikatori (F) atbilst bērna acu augstumam, nospiežot abas galvas balsta regulēšanas pogas (M) un pabīdot to uz augšu vai uz leju. Piezīme: acu līmeņa indikatorus (F) neizmanto, ja tiek izmantots zidaiņa ieliktnis (tikai modelim Axkid One +). Izmantojot Axkid One + zidaiņiem, vienmēr pārlicinieties, ka galvas balsts ir zemākajā stāvoklī.

11

Pārbaudiet, vai plecu jostas (A) iet cauri sēdeklim taisni no bērna pleciem vai ne vairāk kā 1 cm virs. Jums, iespējams, vajadzēs vēlreiz noregulēt galvas balstu (E), pat ja tas nozīmē, ka acu līmeņa indikatori vairs nesakrīt ar bērna acu augstumu. Tagad pavelciet plecu jostas (A), lai pievilktu stiprinājumu uz bērna gurniem. Turot plecu jostas (A) nosprīegotas, velciet jostu pievilksanas siksnu (U), līdz jostas ir pietiekami pievilktas; spraugai starp plecu jostām (A) un bērna pleciem nevajadzētu būt lielāki, kā viena pirksta platumā.



Sēdekļa regulēšana

Pēc tam, kad Axkid One autokrēsls ir uzstādīts jūsu automašīnā, varat viegli pielāgot bērnam gan kāju vietu, gan atzveltnes stāvokli. To var izdarīt arī tad, kad jūsu bērns ir jau piesprādzēts sēdekli.

Lai nodrošinātu labu atbilstību visās automašīnās un vislabāko aizsardzību jūsu bērnam, Axkid stingri rekomendē izmantot ieteiktās pozīcijas, kas marķētas uz autokrēsla sāniem. Jūsu bērnam augot, ir svarīgi pielāgot atzveltni pēc iespējas vertikālā stāvoklī, lai nelaimes gadījumā būtu nodrošināta vislabākā iespējamā bērna kakla aizsardzība. Izmēra norāde ir atkarīga no jūsu bērna auguma. Pārliecinieties, ka abas bulītnas norāda uz pareizo zonu.

Vecums	Regulējums	
Zidainis 0-6 mēneši (tikai modelim Axkid One +)	Maksimālais slīpums Minimālā kāju vieta	0-60 cm
Mazs bērns 0-3 gadi	Visas slīpuma pozīcijas Vairākas kāju vietas pozīcijas	61-105 cm
Bērns 3-7 gadi	Maksimāli stāva pozīcija Maksimāla kāju vieta	106-125 cm

Axkid One autokrēsla pielāgošana

- Kāju vieta tiek noregulēta, atlaižot kāju vietas regulēšanas pogu (N) un bīdot sēdekli uz priekšu vai atpakaļ. Lai izvairītos no Axkid One nejaušas slidēšanas uz priekšu, satveriet aizmugurējo rokturi (O) un uzmanīgi pavelciet to atpakaļ, pirms atlaižat kājas vietas regulēšanas pogu (N).
- Autokrēsla guļus stāvokli var noregulēt, pagriežot atgāšanas stāvokļa pogu (H).



Axkid One autokrēsla noņemšana

Nospiediet atbalsta kājas pogu (I) un sabīdiat atbalsta kāju (R) līdz isākajai pozīcijai.

Pabīdiat priekšējā atbalsta atbrīvošanas pogu (C) un salieciet priekšējo atbalstu (D) sēdekļa virzienā, lai tas vairs nebūtu nospiegots pret transportlīdzekļa sēdekļa atzveltni.

Atvienojiet ISOFIX savienotājus (Y), nospiežot ISOFIX pogas (X), un pēc tam bīdiat tos atpakaļ prom no automašīnas sēdekļa.

Turiet priekšējo atbalstu (D) ar vienu roku un ar otru roku satveriet aizmugurējo rokturi (O) un izceliet Axkid One autokrēslu no automašīnas.

Pielieciet atbalsta kāju (R), pavelkot atbalsta kājas atbrīvošanas siksnu (Q) un saliecot atbalsta kāju (R) uz augšu.

Apkope un uzturēšana

- Sēdekļa auduma pārvalku var mazgāt veļasmašīnā 30°C temperatūrā, izvēloties saudzīgu režīmu. Nelieciet pārvalku žāvētājā, jo tādejādi tas var tikt bojāts, un polsterējums var atdalīties no auduma. Apmeklējiet vietni www.axkid.com, lai atrastu videoklipus, kuros paskaidrots, kā pārvalku noņemt un uzlikt to atpakaļ.
- Lai noņemtu auduma pārvalku no sēdekļa, izvelciet uz āru sānu noseģus (L) un noņemiet liplentes stiprinājumus. Atveriet rāvējslēdzējus atzveltnē un uzmanīgi noņemiet pārvalku no sēdekļa. Iegūstiet stiprinātus sēdeklim, lai būtu vieglāk uzlikt to atpakaļ. Uzstādot atpakaļ sānu pārsegus (L), ievietojiet to zem alumīnija rāmja un vienkārši iespiediet atpakaļ spraudņa stiprinājumā. Lai noņemtu galvas balsta pārvalku, atveriet rāvējslēdzējus galvas balsta apakšā un uzmanīgi noņemiet pārvalku.
- Ja sēdekļa pārvalks ir jāmaina, pārlicinieties, ka tiek izmantoti tikai oriģinālie Axkid izstrādājumi. Ja tiek izmantoti citi produkti, Axkid One autokrēsla drošības sistēma var tikt apdraudēta, un avārijas gadījumā tā var izraisīt smagus ievainojumus.
- Visas Axkid One autokrēsla plastmasas daļas var tīrīt ar maigu mazgāšanas līdzekli un ūdeni. Nelietojiet agresīvas ķīmiskas vielas, kas satur šķīdinātājus vai tamlīdzīgas vielas, jo tās var sabojāt plastmasu un apdraudēt autokrēsla drošību.
- Visi materiāli, kas izmantoti Axkid One automašīnas sēdekļi, ir pārstrādājami, un tie ir jāpārstrādā atbilstoši vietējiem noteikumiem. Lai pārstrādātu šo produktu, jautājiet padomu vietējam pārstrādes centram.
- Skaņas indikators (S) satur maināmu CR1632 akumulatoru. Kad Axkid One autokrēsls vairs netiks lietots, lūdzu izņemiet un pārstrādājiet akumulatoru atbilstoši vietējiem noteikumiem. Lai piekļūtu akumulatoram, atskrūvējiet divas skrūves atbalsta kājas (R) apakšā un noņemiet pārsegu.
- Neveiciet nekādas izmaiņas vai pārveidojumus Axkid One autokrēslā, izņemot tos, kas aprakstīti šajā lietošanas instrukcijā.
- Jebkurš remonts jāveic ražotājam vai tā pārstāvim.

Garantija

Autokrēslam Axkid One ir spēkā 24 mēnešu garantija, skaitot no pirkuma datuma. Lūdzu saglabājiēt čeku vai rēķinu un uzrādīet to autokrēsla pirkšanas vietā, ja konstatējat problēmas, kuras sedz garantija.

Garantija neattiecas uz:

- Normāls nolietojums
- Bojājumi nepareizas lietošanas, nolaidības vai negadījuma dēļ
- Ja remontu ir veikusi trešā persona
- Visiem izmantotajiem materiāliem ir ļoti augsts UV izturības vērtējums. Tomēr UV gaisma ir ļoti agresīva un galu galā novedīs pie sēdekļa pārvalka izbalēšanas. Uz to neattiecas mūsu garantija, jo tas tiek uzskatīts par normālu nolietojumu.
- Rikojieties ar sēdekli uzmanīgi. Ņemiet vērā, ka aizmugures tīkveida audums viegli skrāpējas un var tikt sabojāts. Uz to garantija neattiecas, izņemot gadījumus, kad tīkveida auduma bojājums atzīts par ražošanas defektu.

Obrigado por escolher Axkid One

Leia atentamente este manual de instruções antes de instalar a cadeira auto Axkid One no seu veículo. Para mais informações e vídeos de montagem, visite www.axkid.com.

A cadeira auto **Axkid One 2** é uma cadeira contra o sentido da marcha recomendada para crianças com uma altura entre 61-125 cm ou com um peso máximo de 23 kg.
Axkid One+ 2 é uma cadeira auto contra o sentido da marcha recomendada para crianças com uma altura entre 40-125 cm ou com um peso máximo de 23 kg.

Trata-se de um sistema de retenção para crianças certificado pela norma i-Size. Está homologado de acordo com o regulamento europeu n.º 129, para utilização em assentos de veículos compatíveis com a norma i-Size, conforme indicado pelos fabricantes de veículos no manual do utilizador. Em caso de dúvida, consultar o fabricante do sistema de retenção (www.axkid.com) ou o revendedor.

Informação importante

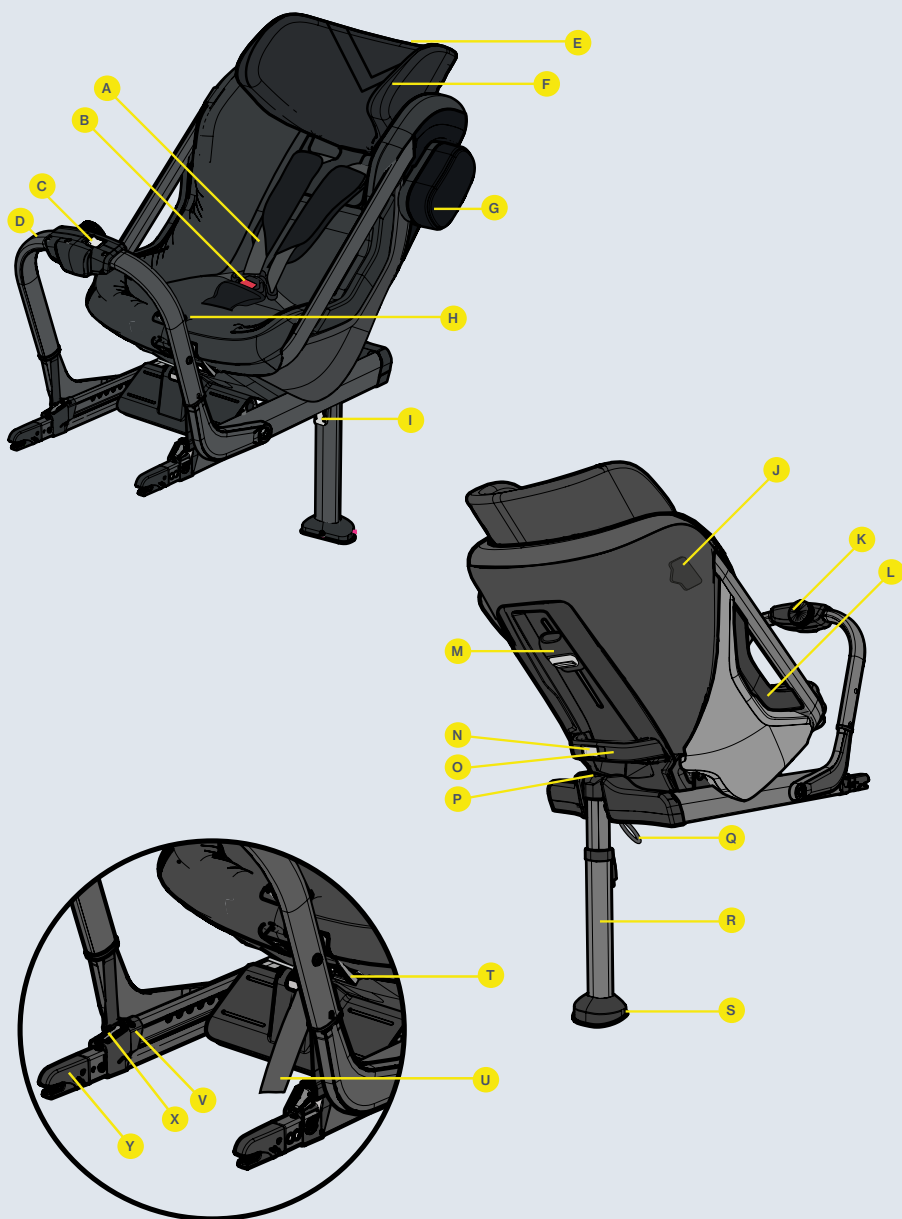
Para maximizar a segurança do seu filho, é importante que tenha em mente as seguintes recomendações:

- Siga sempre as instruções contidas neste manual. Uma instalação incorreta pode afetar seriamente a segurança do seu filho. Em caso de dúvida, entre em contacto com o seu revendedor que poderá demonstrar uma instalação correta.
- Guarde este manual de instruções para futuras consultas. Em caso de perda do manual, poderá encontrá-lo online através de www.axkid.com
- Não instale a cadeira auto Axkid One em um banco equipado com um airbag ativo. Se ainda assim desejar instalar a sua Axkid One neste assento, o airbag deve ser desativado de acordo com as instruções do fabricante do veículo.
- Em caso de acidente, por mais pequeno que seja, a cadeira auto deve ser sempre substituída, uma vez que esta pode apresentar danos indetetáveis que comprometam a segurança do seu filho. Por esta razão, Axkid não recomenda a compra de sistemas de retenção para crianças de segunda mão.
- Se a cadeira auto Axkid One tiver sido exposta à luz solar direta, certifique-se de que a cadeira tenha uma temperatura adequada antes de instalar o seu filho.
- Nunca deixe o seu filho sozinho no veículo.
- Certifique-se de que qualquer bagagem ou objetos soltos estejam seguros no seu veículo, pois podem causar lesões aos passageiros em caso de colisão.
- Certifique-se de que a cadeira auto Axkid One esteja instalada de forma que nenhuma de suas peças fique presa entre os assentos móveis, portas de carro, etc.
- A cadeira auto Axkid One só pode ser instalada virada para trás, ou seja, no sentido contrário da marcha.
- Certifique-se sempre de que o arnês esteja ajustado corretamente ao corpo do seu filho. O arnês pode ser ajustado movendo o apoio de cabeça.
- Certifique-se de que as costas da criança estejam encostadas à cadeira auto no momento de ajustar o arnês.
- Certifique-se sempre de que o arnês esteja firmemente ajustado ao corpo da criança e de que a fivela esteja completamente bloqueada, de modo que as correias estejam devidamente tensionadas.
- Certifique-se de que o arnês não esteja torcido.
- Certifique-se sempre de que a perna de suporte esteja na posição correta e de que tenha contacto com o chão do veículo. Verifique se o indicador no topo da perna de suporte está verde ou se não houver nenhum sinal no rodapé da perna de suporte.
- Não tente desmontar nem modificar qualquer parte da sua Axkid One. Neste caso, a garantia e o desempenho de segurança da cadeira auto Axkid One podem ser afetados.
- Nunca utilize a cadeira auto Axkid One sem a capa têxtil. A capa é um componente de segurança e só pode ser substituída por uma capa têxtil original da Axkid.
- Leia o manual do veículo para comprovar quais os assentos adequados para instalar a cadeira auto.
- Axkid recomenda que utilize sempre uma proteção de banco para proteger os assentos do seu veículo contra arranhões e sujidade.
- Em caso de dúvidas, contacte o revendedor ou contacte-nos através do e-mail info@axkid.com

Índice de conteúdo

Partes	124
Posicionamento permitido e não permitido da cadeira auto Axkid One	126
Instalação da cadeira auto Axkid One no veículo	127
Retenção da criança na cadeira auto Axkid One	128
Indicadores de ajuste da cadeira auto Axkid One	129
Ajustes da cadeira auto Axkid One	129
Remoção da cadeira auto Axkid One do veículo	130
Cuidados e manutenção	130
Garantia	131

Partes



Correias do arnês (A)	Botões de ajuste do apoio de cabeça (M)
Botão de desbloqueio da fivela (B)	Botão de ajuste do espaço para as pernas (N)
Botão de desbloqueio da barra dianteira (C)	Pega traseira (O)
Barra dianteira (D)	Indicador de posição da perna de suporte (P)
Apoio de cabeça (E)	Alça de desbloqueio da perna de suporte (Q)
Indicador do nível dos olhos (F)	Perna de suporte (R)
Almofada de proteção lateral (ASIP) (G)	Indicador sonoro (S)
Botão de posição de reclinção (H)	Botão de desbloqueio do arnês (T)
Botão da perna de suporte (I)	Correia de tensão do arnês (U)
Conector ASIP (J)	Indicadores de travamento ISOFIX (V)
Botão da barra dianteira (K)	Botões ISOFIX (X)
Capa lateral (L)	Conectores ISOFIX (Y)

Posicionamento permitido e não permitido da cadeira auto Axkid One

A cadeira auto Axkid One só pode ser instalada no sentido contrário da marcha utilizando ISOFIX. Está aprovada para ser utilizada em quaisquer assentos homologados com a norma i-Size, mas também pode ser instalada em outros assentos com ISOFIX não homologados com i-Size. Consulte o manual de instruções do seu veículo para encontrar os assentos adequados e confira a lista de veículos em www.axkid.com.

Banco dianteiro destinado ao passageiro com ISOFIX (sem airbag ativo)	SIM/NÃO*
Banco dianteiro destinado ao passageiro com ISOFIX (airbag ativo)	NÃO
Banco da retaguarda com ISOFIX	SIM
Bancos laterais e voltados para trás com ISOFIX	NÃO
Bancos sem ISOFIX	NÃO



IMPORTANTE: Se deseja instalar a sua Axkid One em um banco onde esteja instalado um airbag frontal, o airbag deve ser desconectado de acordo com as instruções do fabricante do seu veículo. Note que alguns veículos necessitam de um serviço de assistência autorizado para desconectar o airbag.

* O Artigo 55.º do DL n.º 114/94, de 03 de Maio, "CÓDIGO DA ESTRADA": afirma que as crianças com menos de 12 anos de idade transportadas em automóveis equipados com cintos de segurança, desde que tenham altura inferior a 135 cm, devem ser seguras por sistema de retenção homologado e adaptado ao seu tamanho e peso. O transporte das crianças referidas no número anterior deve ser efetuado no banco da retaguarda, com algumas exceções.



Nunca instale um sistema de retenção para crianças num banco equipado com um airbag ativo.





Instalação da cadeira auto Axkid One no veículo

- 1** Antes de instalar a cadeira auto Axkid One no seu veículo, minimize o seu tamanho apertando o botão de ajuste do espaço para as pernas (N) e deslize o banco em direção a barra dianteira (D). Expand a perna de suporte (R) até ouvir um clique e o indicador de posição da perna de suporte (P) ficar verde.
- 2** Aperte o botão de desbloqueio da barra dianteira (C) e leve a barra dianteira (D) em direção a cadeira. Segure a barra dianteira (D) com uma mão e agarre a pega traseira (O) com a outra mão. Coloque a cadeira auto Axkid One dentro do veículo, começando pela parte da barra dianteira (D) e posicione-a sobre o assento no sentido contrário da marcha.
- 3** Empurre os conectores ISOFIX (Y) contra os pontos de fixação ISOFIX do veículo até ouvir um clique e ambos os indicadores de travamento ISOFIX (V) ficarem verdes.
- 4** Solte a barra dianteira (D) que começará a se tensionar contra o banco do veículo. Quando parar, rode o botão da barra dianteira (K) no sentido horário até sentir e ouvir um clique, desse modo a barra dianteira (D) estará firmemente pressionada contra o banco do veículo. O botão da barra dianteira (K) possui um limitador de torque incorporado e o clique indica que a barra dianteira (D) está corretamente apertada e já não pode ser tensionada.
- 5** Aperte o botão da perna de suporte (I) e puxe a perna de suporte (R) para baixo até estar em contacto com o chão do veículo. Solte o botão da perna de suporte (I) e levante a cadeira auto para cima para prolongar ainda mais a perna de suporte (R) até ouvir um clique. Desse modo, a perna de suporte (R) estará bloqueada e firmemente pressionada contra o chão do veículo. Nota: A cadeira auto Axkid One está equipada com um indicador sonoro (S) que irá apitar até que a perna de suporte (R) esteja firmemente pressionada contra o chão, indicando uma instalação correta.
- 6** Pressione a almofada de proteção lateral (G) nos encaixes do conector ASIP (J) e deslize para baixo, desse modo a almofada de proteção lateral (G) se fixará corretamente. Caso haja uma tampa de plástico no conector ASIP (J), retire-a e coloque-a no conector ASIP (J) no lado oposto da cadeira auto antes de fixar a almofada de proteção lateral (G). Certifique-se de que a almofada de proteção lateral (G) esteja fixada na lateral que se encontra mais próxima da porta do veículo.



Retenção da criança na cadeira auto Axxkid One

Antes de reter o seu filho na cadeira auto Axxkid One, certifique-se de que tenha os redutores apropriados instalados na cadeira. Axxkid One foi concebida para crescer com o seu filho e para garantir a comodidade e a segurança de todas as crianças. Axxkid One recomenda a utilização dos redutores correspondentes a cada idade, até que o espaço seja demasiado apertado para o seu filho. Sempre considerando a altura mínima de acordo com a tabela abaixo (note que a idade é meramente indicativa):

Idade	Altura	
Bebé 0-6 meses (Apenas Axxkid One +)	0 – 60 cm	
Criança pequena 0-3 anos	61 – 105 cm	
Criança maior 3-7 anos	105 – 125 cm	

7

Solte o arnês premindo o botão de desbloqueio do arnês (T) e puxe as duas correias do arnês (A) ao mesmo tempo. Evite puxar apenas uma correia de cada vez, já que isso pode fazer com que as correias do arnês (A) fiquem irregulares.

8

Solte a fivela premindo o botão de desbloqueio da fivela (B) e disponha as correias fora da cadeira.

9

Sente o seu filho no assento e coloque as correias do arnês (A) sobre os ombros da criança. Para bloquear o arnês, junte as partes da fivela situadas nas correias do arnês (A) e empurre-as para dentro da fivela até ouvir um clique.

10

Ajuste o apoio de cabeça (E) até que os indicadores do nível dos olhos (F) estejam alinhados com o nível de visão de seu filho, premindo ambos os botões de ajuste do apoio de cabeça (M) e deslizando-os para cima ou para baixo. Nota: os indicadores do nível dos olhos (F) não devem ser utilizados quando se usa o redutor para bebês (Apenas Axxkid One +). Ao utilizar Axxkid One + para bebês, certificar-se sempre de que o apoio de cabeça está na posição mais baixa.

11

Verifique se as correias do arnês (A) passam diretamente por cima dos ombros do seu filho ou, no máximo, 1 cm acima. Pode ser necessário ajustar o apoio de cabeça (E) novamente, mesmo que isso faça com que o indicador de nível de visão não fique alinhado com os olhos do seu filho. Em seguida, puxe as correias do arnês (A) para apertar o cinto sobre os quadris do seu filho. Enquanto mantém a tensão nas correias (A), puxe a correia de tensão do arnês (U) até que o arnês esteja suficientemente apertado, você não poderá colocar mais de um dedo entre as correias (A) e os ombros do seu filho.



Indicadores de ajuste da cadeira auto Axxkid One

Após a instalação da sua Axxkid One no veículo, será possível ajustar facilmente o espaço para as pernas e a posição de reclinção ideal para o seu filho. Isto também pode ser feito enquanto a criança estiver sentada na cadeira auto.

Para garantir um ajuste correto em todos os veículos e dar a melhor proteção ao seu filho, Axxkid recomenda vivamente que utilize as posições orientativas marcadas na lateral da cadeira auto. À medida que o seu filho cresce, é importante ajustar a reclinção a uma posição mais reta para dar a melhor proteção possível para o pescoço do seu filho em caso de acidente. As marcas orientativas são baseadas na altura do seu filho. Certifique-se de que ambas as setas apontem para a zona correta.

Idade	Ajuste	
Bebé 0-6 meses (Apenas Axxkid One +)	Reclinção máxima Espaço mínimo para as pernas	
Criança pequena 0-3 anos	Todas as posições de reclinção Várias posições de espaço para as pernas	
Criança maior 3-7 anos	Posição vertical máxima Espaço máximo para as pernas	

Ajustes da cadeira auto Axxkid One

- O espaço para as pernas pode ser acomodado apertando o botão de ajuste do espaço para as pernas (N) e deslizando o assento para a frente ou para trás. Para evitar que a Axxkid One deslize acidentalmente para a frente, agarre a pega traseira (O) e puxe-a suavemente para trás antes de soltar o botão de ajuste do espaço para as pernas (N).
- A posição reclinada da cadeira auto pode ser ajustada girando o botão de posição de reclinção (H).



Remoção da cadeira auto Axkid One do veículo

- Aperte o botão da perna de suporte (I) e retraia a perna de suporte (R) para a posição mais curta.
- Deslize o botão de desbloqueio da barra dianteira (C) e dobre a barra dianteira (D) em direção a cadeira auto para aliviar a tensão contra o banco do veículo.
- Desconecte os conectores ISOFIX (Y) pressionando para baixo os botões ISOFIX (X) e depois deslize-os para trás, afastando-os do banco do veículo.
- Continue a segurar a barra dianteira (D) com uma mão e agarre a pega traseira (O) com a outra mão a fim de retirar a sua Axkid One do veículo.
- Dobre a perna de suporte (R) puxando alça de desbloqueio da perna de suporte (Q) e dobrando a perna de suporte (R) para cima.

Cuidados e manutenção

- A capa têxtil da cadeira pode ser removida e lavada na máquina de lavar a 30°C no programa "ciclo delicado". Não coloque a capa numa máquina de secar, porque pode danificar a capa e o enchimento pode separar-se do tecido. Visite www.axkid.com para encontrar vídeos que explicam como remover e colocar a capa.
- Para retirar a capa da cadeira auto, puxe para fora a capa lateral (L) e desprenda o velcro. Abra os zíperes da parte traseira e retire suavemente a capa da cadeira auto. Observe atentamente a forma como está colocada ao redor da cadeira para facilitar a sua recolocação. Ao reinstalar a capa lateral (L), introduza-a por baixo da estrutura de alumínio e empurre-a de volta à sua posição de encaixe. Para remover a capa do apoio de cabeça, abra os zíperes na parte inferior do apoio de cabeça e remova suavemente a capa.
- Se as capas da cadeira tiverem de ser substituídas assegure-se que usa apenas produtos originais de Axkid. Se forem usados outros produtos, o sistema de segurança da Axkid One pode ser comprometido e causar ferimentos graves em caso de acidente.
- Todas as peças de plástico da cadeira auto Axkid One podem ser limpas com detergente suave e água. Não utilize produtos químicos agressivos que contenham solventes, etc., pois isto pode danificar o plástico e comprometer a segurança do sistema de retenção para crianças.
- Todos os materiais utilizados na cadeira auto Axkid One são recicláveis e devem ser reciclados de acordo com sua legislação local. Pergunte no seu centro de reciclagem local para obter informações sobre a reciclagem deste produto.
- O indicador sonoro (S) contém uma pilha CR1632 substituível. Por favor, retire e recicle a bateria de acordo com a sua legislação local quando a cadeira auto Axkid One deixar de ser utilizada. Desaparafuse os dois parafusos na parte inferior da perna de suporte (R) e retire a capa para ter acesso à bateria.
- Não faça quaisquer modificações ou alterações na cadeira auto Axkid One, além daquelas descritas neste manual de instruções.
- Qualquer reparação deve ser realizada pelo fabricante ou revendedor.

Garantia

A cadeira Axkid One está coberta por uma garantia de 24 meses a partir da data de compra. Certifique-se de guardar o seu recibo e levá-lo ao seu local de compra caso deseje realizar uma reclamação de garantia.

A garantia não cobre:

- Desgaste normal de uso
- Danos devidos a uso incorreto, negligência ou acidente.
- Reparações efetuadas por um terceiro
- Todos os materiais utilizados têm alta resistência aos raios UV. No entanto, a luz da radiação solar é muito agressiva e conduzirá ao desbotamento da capa da cadeira. Isto não está coberto pela nossa garantia, uma vez que é considerado desgaste normal de uso.
- Manuseie a cadeira auto com cuidado. Note que o tecido da malha traseira se desfia facilmente. Os danos que não sejam originais de fábrica, não serão cobertos pela garantia.

Vă mulțumim pentru faptul că ați ales scaunul auto pentru copii Axkid One.

Citiți manualul de instrucțiuni înainte de a instala scaunul Axkid One în mașină. Pentru mai multe informații și instrucțiuni video vizitați site-ul www.axkid.ro sau www.axkid.com.

Scaunul auto rear-facing **Axkid One 2** este aprobat pentru copii cu o înălțime între 61-125 cm și până la greutatea de maxim 23 kg.
Scaunul auto rear-facing **Axkid One+ 2** este aprobat pentru copii cu o înălțime între 40-125 cm și până la greutatea de maxim 23 kg.

Acesta este un sistem de siguranță i-Size. El este aprobat în conformitate cu Regulamentul UN Nr. 129, i-SIZE. Instalați scaunul în mașină în conformitate cu specificațiile producătorului menționate în manualul de utilizare. Dacă aveți vreo nelămurire, luați legătura cu reprezentantul Axkid România sau cu magazinul de unde l-ați cumpărat, pentru a primi indicații pentru o instalare corectă.

Informații importante

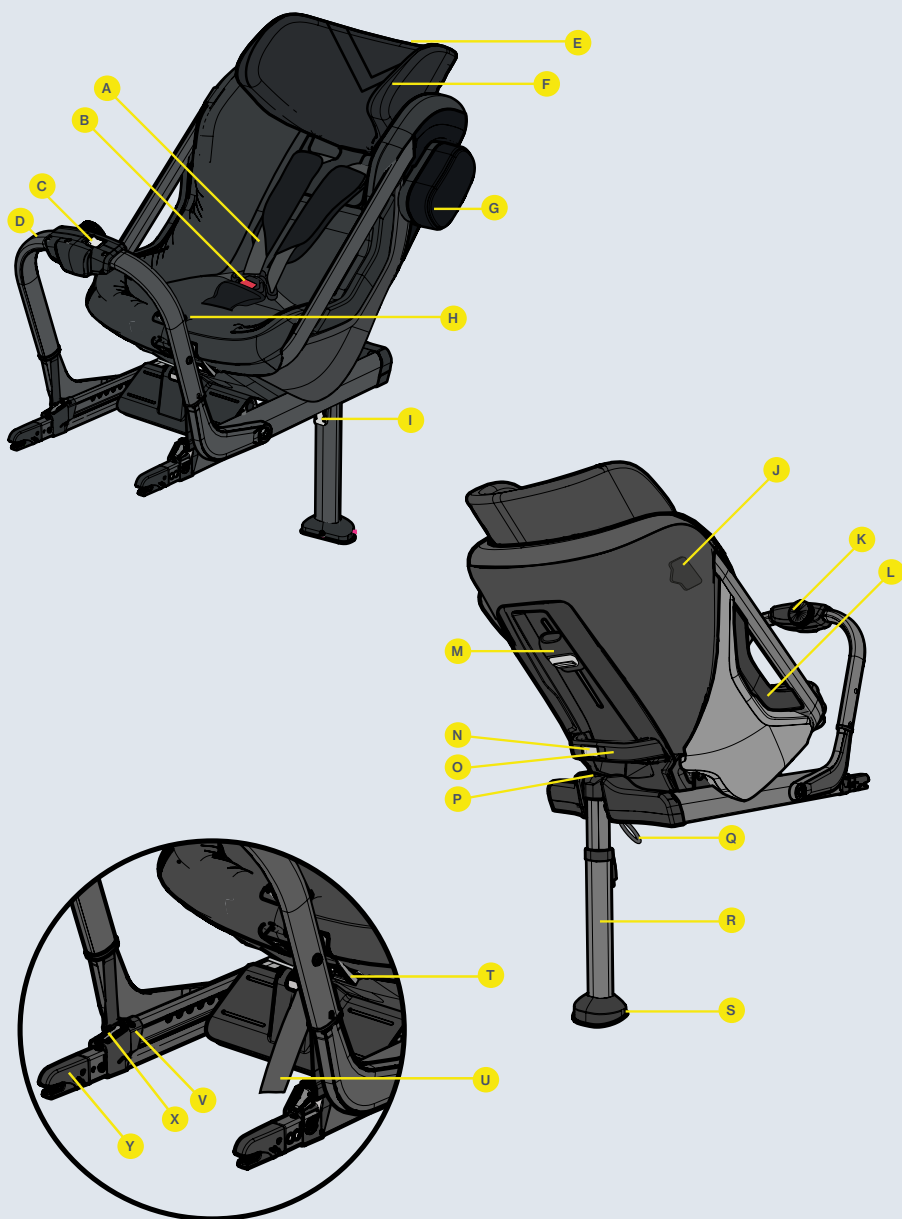
Pentru a crește gradul de siguranță al copilului dumneavoastră, vă rugăm să luați în considerare următoarele:

- Urmăți întotdeauna instrucțiunile din acest manual de utilizare. Instalarea incorectă poate pune în pericol siguranța copilului. Dacă aveți vreo nelămurire, vă rugăm să luați legătura cu magazinul de unde l-ați cumpărat, pentru a primi indicații pentru o instalare corectă.
- Păstrați acest manual de utilizare pentru viitoare referințe. În cazul în care îl pierdeți, îl puteți găsi online pe site-ul www.axkid.com.
- Niciodată să nu instalați scaunul auto pentru copii într-un loc în care este activat un airbag frontal.
- În cazul în care ați fost implicat într-un accident, oricât de mic ar fi acesta, scaunul auto trebuie înlocuit. Poate avea defecțiuni care nu se văd, ce pot pune în pericol siguranța copilului. Din această cauză, Axkid nu recomandă achiziționarea unui scaun auto care a fost deja utilizat.
- Dacă scaunul auto Axkid One a fost expus la soare, înainte să așezați copilul, asigurați-vă că scaunul nu este fierbinte.
- Nu vă lăsați niciodată copilul nesupravegheat în mașină.
- Asigurați-vă că orice bagaj sau alte obiecte libere sunt bine securizate în interiorul mașinii, deoarece în caz de coliziune acestea pot cauza leziuni grave pasagerilor.
- Asigurați-vă că scaunul auto este instalat în așa fel încât nicio parte din el nu este prinsă între scaune sau portiere.
- Scaunul auto Axkid One poate fi instalat exclusiv rear-facing.
- Asigurați-vă întotdeauna că centurile sunt reglate în așa fel încât să se fixeze perfect pe corpul copilului. Centurile se reglează mișcând suportul de pe tetieră.
- Asigurați-vă că spatele copilului este împins în scaun în momentul în care strângeți centurile.
- Asigurați-vă întotdeauna că centurile sunt bine fixate în jurul copilului, iar catarama este blocată, astfel încât chingile să nu poată fi ciupite.
- Asigurați-vă că centurile nu sunt răsucite.
- Asigurați-vă întotdeauna că piciorul de sprijin este în poziția corectă și este ferm fixat în podeaua mașinii. Verificați dacă indicatorul din partea de sus a piciorului de sprijin este verde și că indicatorul audio de instalare al piciorului de sprijin nu mai țiuie.
- Nu faceți nicio modificare scaunului auto Axkid One. Veți pierde garanția, iar siguranța oferită de scaunul Axkid One va fi afectată.
- NU utilizați niciodată scaunul auto Axkid One fără husa textilă. Husa reprezintă un element de siguranță și poate fi înlocuită doar cu o husă originală de la Axkid.
- Consultați manualul de instrucțiuni al autovehiculului pentru a vedea pe ce locuri din mașină puteți instala scaunul auto pentru copii.
- Axkid recomandă să folosiți întotdeauna o protecție de banchetă pentru a proteja bancheta mașinii de zgârieturi și pete.
- Dacă aveți vreo nelămurire, luați legătura cu reprezentantul Axkid România sau cu magazinul de unde l-ați cumpărat.

Cuprins

Piese componente	134
Instalări permise și interzise ale scaunului auto Axkid One	136
Instalarea scaunului auto Axkid One în mașină	137
Fixarea copilului în scaunul auto Axkid One	138
Reglarea scaunului	139
Reglarea scaunului auto Axkid One	139
Demontarea scaunului auto Axkid One din mașină	140
Ingrijire și întreținere	140
Garanție	141

Piese componente



A	Centuri integrate
B	Butonul de deschidere a cataramii
C	Butonul de eliberare a barei frontale
D	Bara frontală
E	Tetiera
F	Indicatorii nivelului ochiului
G	Tampon de impact lateral ASIP
H	Clapetă de ajustare a înclinării
I	Butonul piciorului de sprijin
J	Conectorul ASIP
K	Clapeta barei frontale
L	Laterala husei textile

M	Butonul de reglare a tetierei
N	Butonul de ajustare a spațiului de la picioare
O	Mânerul spătarului
P	Indicatorul poziției piciorului de sprijin
Q	Cureaua de eliberare a piciorului de sprijin
R	Piciorul de sprijin
S	Indicatorul audio
T	Clapeta de eliberare a centurilor
U	Cureaua pentru tensionarea centurilor
V	Indicatorii de blocare a sistemului ISOFIX
X	Clapetele ISOFIX
Y	Conectorii ISOFIX

Instalări permise și interzise ale scaunului auto Axkid One

Scaunul auto Axkid One poate fi instalat **exclusiv rear-facing** cu ajutorul sistemului ISOFIX. Este omologat pentru a putea fi utilizat pe toate scaunele pentru pasageri aprobate pentru i-Size, dar se poate potrivi de asemenea, și pe alte scaune pentru pasageri care nu sunt aprobate pentru i-Size dar sunt prevăzute cu sistem ISOFIX.

Verifică instrucțiunile din manualul de utilizare a autovehiculului pentru a afla pozițiile de ședere potrivite și consultă lista cu autovehiculele compatibile pe www.axkid.ro.

Scaunul din față al pasagerului cu ISOFIX (fără airbag activ)	DA/NU*
Scaunul din față al pasagerului cu ISOFIX (airbag activ)	NU
Scaunul din spate al pasagerului cu ISOFIX	DA
Scaunele orientate în lateral și cele orientate cu spatele cu ISOFIX	NU
Scaunele fără ISOFIX	NU



IMPORTANT: Dacă doriți să instalați scaunul auto Axkid One într-un loc unde este instalat un airbag frontal, atunci airbagul trebuie deconectat în conformitate cu instrucțiunile producătorului auto. Aveți în vedere faptul că în cazul anumitor modele de mașini, airbag-ul trebuie dezactivat la un service autorizat.

* Regulamentul General de circulație din Spania, în art. 117, interzice circulația copiilor cu înălțime mai mică sau egală cu 135 cm pe locul din față al mașinii, fără nicio excepție.



Nu instalați niciodată un scaun pentru copii într-un scaun de pasager dacă airbag-ul este activ.





Instalarea scaunului auto Axkid One în mașină

1

Înainte de a instala scaunul auto Axkid One în mașină reduceți-i mărimea eliberând butonul de ajustare a spațiului de la picioare (N) și glisați scaunul către bara frontală (D). Lăsați în jos piciorul de sprijin (R) până când auziți un „click”, iar indicatorul piciorului de sprijin (P) se face verde.

2

Apăsați butonul de eliberare a barei frontale (C) și îndoiți bara frontală (D) spre scaun. Țineți bara frontală (D) cu o mână și prindeți mânerul spătarului (O) cu cealaltă mână. Introduceți scaunul auto Axkid One în mașină cu bara frontală (D) înainte, după care îl poziționați cu spatele la sensul de mers.

3

Apăsați conectorii ISOFIX (Y) în conectorii ISOFIX ai mașinii până când auziți un „click” și ambii indicatori ISOFIX (V) devin verzi.

4

Dați drumul barei frontale (D) care va începe să se tensioneze pe bancheta mașinii. Când se oprește, rotiți clapeta barei frontale (K) în sensul acelor de ceasornic până când simțiți și auziți un „click”. Acum, bara frontală ar trebui să fie tensionată ferm pe bancheta mașinii. Clapeta barei frontale (K) are un limitator de cuplu, iar acel „click” indică faptul că bara frontală (D) este corect tensionată și nu se poate tensiona mai mult.

5

Apăsați butonul piciorului de sprijin (I) și trageți piciorul în jos până când atinge podeaua mașinii. Lăsați liber butonul piciorului de sprijin (I) și ridicați scaunul auto pentru a permite piciorului suport (R) să se extindă până când auziți un click. Acum piciorul de sprijin (R) ar trebui să fie blocat și împins ferm în podeaua mașinii. Notă: Scaunul auto Axkid One este dotat cu un semnal sonor (S) care va continua să țiuie până când piciorul de sprijin (R) este ferm ancorat în podeaua mașinii, indicând instalarea corectă a acestuia.

6

Apăsați tamponul de impact lateral ASIP (G) în slotul conectorului ASIP (J) și glisați-l în sus. Tamponul de impact lateral ASIP (G) va intra în slot. Dacă conectorul ASIP (J) este înfășurat într-o husă de plastic, îndepărtați-o și așezați conectorul ASIP (J) pe partea opusă a scaunului înainte de a monta tamponul de impact lateral (G). Asigurați-vă că tamponul de impact lateral ASIP (G) este poziționat cel mai aproape de portiera mașinii.



Fixarea copilului în scaunul auto Axxkid One

Înainte de a așeza copilul în scaunul auto Axxkid One, asigurați-vă că aveți pernele insert potrivite instalate pe scaun. Axxkid One este conceput în așa fel încât să crească odată cu copilul dumneavoastră, asigurându-i confort și siguranță.

Axxkid recomandă utilizarea pernelor insert potrivite, până în momentul în care nu strâng prea tare copilul, dar în conformitate cu dimensiunile prezentate în tabelul de mai jos (vârsta este orientativă).

Vârsta	Înălțimea	
Bebeluș (0–6 luni) Doar în cazul Axxkid One +	0–60 cm	
Copil mic (0–3 ani)	61–105 cm	
Copil 3–7 ani	105–125 cm	

7

Eliberați centurile apăsând clapeta de eliberare a centurilor (T) și trageți centurile (A) concomitent. Evitați să trageți de o singură centură, deoarece centurile (A) pot deveni inegale.

8

Deschideți catarama apăsând butonul de deschidere a cataramii (B) și desfaceți centurile.

9

Așezați copilul în scaun și poziționați centurile (A) în jurul umerilor copilului. Blocați centurile împreunând mai întâi limbile centurilor (A), după care le introduceți în cataramă până când auziți un click.

10

Reglați tetiera (E) astfel încât indicatorii nivelului ochiului (F) de pe tetieră să fie la același nivel cu ochii copilului. Apăsăți ambele butoane de reglare a tetierei (M) și glisați în sus și în jos. Notă: Indicatorii nivelului ochiului (F) nu ar trebui folosiți atunci când utilizați perna insert pentru bebeluș (Axxkid One +). Când folosiți Axxkid One + pentru copii, asigurați-vă întotdeauna că tetiera este în poziția cea mai joasă.

11

Verificați ca centurile integrate (A) să fie așezate direct pe umerii copilului sau maxim 1 cm mai sus. Apoi trebuie să reglați din nou tetiera (E) chiar dacă pare că indicatorii nivelului ochiului nu mai sunt la același nivel cu ochii copilului. Acum trageți centurile integrate (A) astfel încât să tensionați centura peste șoldurile copilului. În timp ce țineți centurile (A) tensionate, trageți cureaua pentru tensionarea centurii (U), până când centura este suficient de strânsă, astfel încât să nu încapă mai mult de un deget între centurile integrate (A) și umerii copilului.



Reglarea scaunului

După ce scaunul auto Axkid One a fost instalat în mașină, poți regla cu ușurință spațiul de la picioare și pozițiile de înclinare pentru copil. Acest lucru poate fi făcut și când copilul este fixat în scaun.

Pentru a asigura o poziție perfectă în orice mașină și siguranță sporită pentru copil, Axkid recomandă cu tărie să folosiți pozițiile marcate pe partea laterală a scaunului auto. Pe măsură ce copilul crește, este foarte important să păstrați scaunul într-o poziție cât mai verticală. În cazul unui accident, această poziție îi va oferi cea mai bună protecție gâtului copilului. Indicația de mărime se bazează pe lungimea copilului. Asigurați-vă că ambele săgeți se află în zona corectă.

Vârsta	Reglarea	
Bebeluş 0 - 6 luni (Axkid+ only)	Înclinare maximă Spațiu minim la picioare	0-60 cm
Copil mic 0 - 3 ani	Toate pozițiile de înclinare Diverse poziții pentru spațiul de la picioare	61-105 cm
Copil 3 - 7 ani	Cea mai verticală poziție cu puțină Spațiu maxim la picioare	106-125 cm

Reglarea scaunului auto Axkid One

- Spațiul de la picioare este ajustat prin eliberarea butonului de ajustare a spațiului de la picioare (N) și glisarea scaunului în față și în spate. Pentru a evita ca scaunul auto Axkid One să alunece accidental în față, apucați mânerul spătarului (O) și trageți-l ușor înapoi, înainte de a elibera butonul de ajustare a spațiului de la picioare (N).
- Poziția de înclinare a scaunului auto poate fi reglată prin rotirea clapetei de ajustare a înclinării (H).



Demontarea scaunului auto Axxkid One din mașină

- Apăsăți butonul piciorului de sprijin (I) și coborâți piciorul de sprijin (R) la cea mai scurtă poziție a sa.
- Glisați butonul de eliberare a barei frontale (C) și îndoiți bara frontală (D) înspre scaun pentru a detensiona scaunul auto.
- Deconectați conectorii ISOFIX (Y) apăsând clapetele ISOFIX (X) și apoi glisați-le înapoi, în afara scaunului auto.
- Țineți în continuare cu o mână bara frontală (D), iar cu cealaltă mână apucați mânerul spătarului și scoateți scaunul auto Axxkid One din mașină.
- Pliăți piciorul de sprijin (R) trăgând cureaua de eliberare a piciorului de sprijin (Q) și trageți-l în sus.

Îngrijire și întreținere

- Husa scaunului poate fi spălată la mașina de spălat la 30° C, la programul pentru rufe delicate. Nu puneți husa într-un uscător de rufe, deoarece aceasta se poate deteriora și umplutura se poate separa de țesătură. Vizitați www.axkid.ro sau www.axkid.com pentru a găsi videoclipuri care explică cum să scoateți și să puneți la loc husa.
- Pentru a scoate husa scaunului trageți de partea laterală a husei (L) și desfaceți Velcro. Desfaceți fermoarul de la tetieră și scoateți cu grijă husa de pe scaun. Fiți atenți la modul în care este montată husa pe scaun pentru a vă fi ușor să o puneți la loc. Când puneți la loc laterala husei textile (L), introduceți-o sub cadrul de aluminiu și pur și simplu împingeți pentru fixare. Pentru a scoate husa tetierei, deschideți fermoarul din partea de jos a tetierei și scoateți cu grijă husa.
- În cazul în care trebuie înlocuită husa textilă, asigurați-vă că folosiți doar produse originale de la Axxkid. Dacă utilizați alte produse, siguranța scaunului auto Axxkid One poate fi compromisă și ar putea duce la rănire gravă în cazul unui accident.
- Toate piesele din material plastic ale scaunului Axxkid One pot fi curățate cu detergent slab și apă. Nu folosiți produse chimice agresive care conțin solvenți, deoarece acest lucru poate duce la deteriorarea materialului plastic și compromite siguranța scaunului pentru copii.
- Toate materialele utilizate la fabricarea scaunului Axxkid One sunt reciclabile și este necesar să le reciclați conform legislației locale în vigoare. Adresați-vă centrului de reciclare local pentru sfaturi atunci când reciclați acest produs.
- Indicatorul audio (S) conține o baterie CR1632 care se poate înlocui. După ce nu veți mai folosi scaunul auto Axxkid One, vă rugăm să scoateți bateria și să o reciclați conform legislației locale în vigoare. Deșurubați cele două șuruburi din partea de jos a piciorului de sprijin (R) și scoateți capacul pentru a avea acces la baterie.
- Nu faceți nici o modificare sau transformare a scaunului Axxkid One, altele decât cele descrise în acest manual de utilizare. Urmați instrucțiunile din acest manual cu atenție.
- Orice reparație trebuie să fie efectuată de către producător sau de către un distribuitor autorizat.

Garanție

! Scaunul auto Axkid One este acoperit de o garanție de 24 luni de la data cumpărării. Păstrați factura și prezentați-o furnizorului dumneavoastră împreună cu scaunul auto în cazul în care descoperiți o neconformitate.

Garanția nu acoperă:

- Uzura cauzată de o folosire normală;
- Daunele cauzate de utilizarea incorectă, neglijență sau accident;
- În cazul în care reparațiile au fost efectuate de către o terță parte.
- Toate materialele folosite respectă standarde foarte ridicate de rezistență la radiațiile ultraviolete. Cu toate acestea, radiațiile UV sunt foarte agresive și vor duce în cele din urmă la decolorarea materialului scaunului. Acest lucru nu este acoperit de garanția noastră, deoarece este considerată uzură normală.
- Mânuiți scaunul cu grijă. Rețineți că protecția din spatele scaunului se zgârie ușor iar daunele cauzate din alte motive, în afara defectelor din fabrică, nu sunt acoperite de garanție.

شكرًا لك على اختيار مقعد Axkid One

اقرأ كتيب الإرشادات هذا قبل تركيب مقعد السيارة Axkid One في سيارتك. للحصول على المزيد من المعلومات ومشاهدة مقاطع فيديو حول عملية التركيب، قم بزيارة www.axkid.com.

مقعد السيارة **Axkid One 2** هو مقعد سيارة مواجه للخلف معتمد للأطفال الذين يتراوح طولهم بين 61-125 سم أو بعد أقصى للوزن 23 كجم. مقعد السيارة **Axkid One+ 2** عبارة عن مقعد مواجه للخلف معتمد للأطفال الذين يتراوح طولهم بين 40 و125 سم أو الذين يبلغ أقصى وزن لهم 23 كجم.

هذا نظام تثبيت أطفال i-Size محسن. وهو معتمد وفقًا للائحة الاتحاد الأوروبي رقم 129 للاستخدام في أماكن الجلوس بالسيارة المتوافقة مع نظام i-Size على النحو المحدد من قبل شركات تصنيع السيارات في دليل المستخدم الخاص بالسيارة. في حالة الشك، استشر الشركة المصنعة لنظام تثبيت الأطفال المحسن (www.axkid.com) أو البائع.

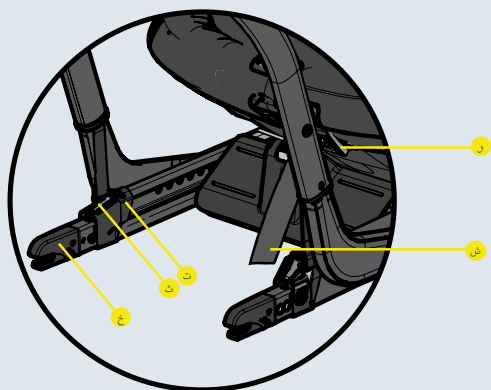
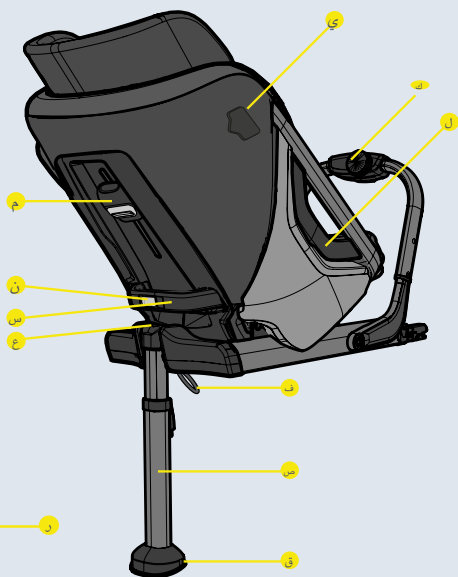
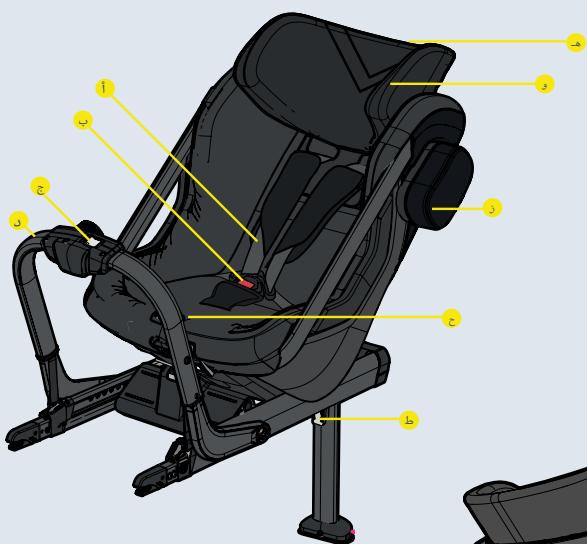
معلومات مهمة

- زيادة سلامة طفلك، من المهم مراعاة ما يلي:
- اتبع دائمًا الإرشادات الواردة في هذا الكتيب. قد يؤثر التركيب غير الصحيح على سلامة طفلك بدرجة خطيرة. إذا لم تكن متأكدًا من أي خطوة أو إجراء، فاتصل بالبائع الذي سيكون بإمكانه توضيح طريقة التركيب السليمة.
- احتفظ بكتيب الإرشادات هذا للرجوع إليه في المستقبل. في حالة فقدان الكتيب، يمكنك إيجاده في الموقع www.axkid.com
- لا تستخدم مقعد السيارة Axkid One في موضع جلوس يحتوي على وسادة هوائية أمامية نشطة. إذا كنت لا تزال ترغب في تركيب مقعد السيارة Axkid One في هذا الموضع، يجب إيقاف تشغيل الوسادة الهوائية وفقًا لإرشادات الشركة المصنعة للسيارة. في حالة التعرض لحادث، مهما كان بسيطًا، يجب دائمًا تغيير مقعد السيارة. فقد يتعرض المقعد لتلف غير مرئي وقد يؤثر ذلك على سلامة طفلك بدرجة خطيرة. لهذا السبب، لا توصي Axkid بشراء مقاعد سيارة مستعملة.
- في حالة تعرض مقعد السيارة Axkid One لضوء الشمس المباشر، تأكد من عدم سخونة مقعد السيارة بدرجة كبيرة للغاية قبل تثبيت طفلك.
- لا تترك طفلك مطلقًا في السيارة بمفرده دون مراقبته.
- تأكد من إحكام تثبيت أي أمتعة أو أغراض غير مثبتة في سيارتك نظرًا لأنها قد تتسبب في حدوث إصابات للركاب في حالة وقوع حادث.
- تأكد من تركيب مقعد السيارة Axkid One بطريقة لا تصحح معها أي أجزاء عالقة بفعل المقاعد المتحركة، وأبواب السيارة، إلى غير ذلك.
- لا يمكن تركيب مقعد السيارة Axkid One سوى في وضع مواجه للخلف.
- تأكد دائمًا من ضبط حمالة الأمان لملء جسم طفلك بصورة صحيحة. يتم ضبط حمالة الأمان بتحريك دعامة الرأس.
- تأكد من توجيه ظهر الطفل نحو مقعد السيارة عند تثبيت طفلك باستخدام حمالة الأمان.
- تأكد دائمًا من ربط حمالة الأمان بإحكام على طفلك ومن قفل الإيزيم بالكامل، ويجب ألا يكون بإمكانك قرص الأشرطة.
- تأكد من عدم وجود التواء في حمالة الأمان.
- تأكد دائمًا من ضبط ساق الدعم في مكانها الصحيح وملاستها لأرضية السيارة. تأكد من أن المؤشر الموجود أعلى ساق الدعم يضيء باللون الأخضر ومن عدم سماعك لأي صوت صافرة من قدم ساق الدعم.
- لا تحاول تفكيك أو تعديل أي جزء من أجزاء مقعد السيارة Axkid One. قد يتأثر الضمان وأداء سلامة مقعد السيارة Axkid One في حالة القيام بذلك.
- يحظر تمامًا استخدام مقعد السيارة Axkid One دون غطاءه المصنوع من القماش. فغطاء المقعد المصنوع من القماش هو ميزة سلامة ويجب عدم استبداله سوى بغطاء مقعد أصلي مصنوع من القماش من Axkid.
- اقرأ كتيب السيارة لمعرفة أماكن الجلوس المناسبة لهذا المقعد.
- توصي شركة Axkid باستخدام واقي المقعد دائمًا لحماية مقعدك من الخدوش والقاذورات.
- في حالة وجود أي شكوك، اتصل بالبائع الذي تم شراء مقعد السيارة منه أو اتصل بـ info@axkid.com

جدول المحتويات

144	الأجزاء
	الأوضاع المسموحة وغير المسموحة
146	لمقعد السيارة Axxkid One
147	لتركيب مقعد السيارة Axxkid One في السيارة
148	تثبيت طفلك في مقعد السيارة Axxkid One
149	عمليات ضبط المقعد
149	ضبط مقعد السيارة Axxkid One
10	فك مقعد السيارة Axxkid One من سيارتك
140	العناية والصيانة
141	الضمان

الأجزاء



أزرار ضبط مسند الرأس (م)	أشرطة الأكتاف (أ)
زر ضبط مساحة الساق (ن)	زر تحرير الإبزيم (ب)
مقبض الظهر (س)	زر تحرير الدعامة الأمامية (ج)
مؤشر ضبط ساق الدعم (ع)	الدعامة الأمامية (د)
شريط تحرير ساق الدعم (ف)	مسند الرأس (هـ)
ساق الدعم (ص)	مؤشر مستوى العين (و)
مؤشر الصوت (ق)	وسادة ASIP (ن)
زر تحرير حمالة الأمان (ر)	مقبض ضبط وضع الإمالة (ح)
شريط شد حمالة الأمان (ش)	زر ساق الدعم (ط)
مؤشرات قفل نظام ISOFIX (ت)	موصل نظام ASIP (ي)
أزرار نظام ISOFIX (ث)	مقبض الدعامة الأمامية (ك)
موصلات نظام ISOFIX (خ)	الغطاء الجانبي (ل)

الأوضاع المسموح بها وغير المسموح بها لمقعد السيارة Axxkid One

لا يمكن تركيب مقعد السيارة Axxkid One سوى في وضع مواجه للخلف باستخدام نظام ISOFIX. وهو معتمد للاستخدام في كل أماكن الجلوس الحاصلة على اعتماد i-Size لكن قد يكون مناسباً أيضاً للاستخدام في أماكن جلوس أخرى تستخدم نظام ISOFIX وغير حاصلة على اعتماد i-Size. راجع كتيب إرشادات سيارتك لمعرفة أماكن الجلوس المناسبة وراجع قائمة السيارات على www.axkid.com



مقعد الراكب الأمامي مع نظام ISOFIX (دون وسادة هوائية نشطة)	نعم/لا*
مقعد الراكب الأمامي مع نظام ISOFIX (وسادة هوائية نشطة)	NO
مقعد الراكب الخلفي مع نظام ISOFIX	نعم
المقاعد المواجهة للجانب والخلف مع نظام ISOFIX	NO
المقاعد دون نظام ISOFIX	NO

ملاحظة مهمة: إذا كنت تريد تركيب مقعد السيارة Axxkid One في موضع مركب به وسادة هوائية أمامية، يلزم فصل الوسادة الهوائية وفقاً لإرشادات الشركة المصنعة لسيارتك. لاحظ أن بعض السيارات تتطلب استخدام مركز خدمة معتمد لفصل الوسادة الهوائية.

* تنص اللائحة العامة للتعريف في أسبانيا، في فقرتها رقم ١١٧، على حظر القيادة مع وجود أطفال بقامة تصل إلى أو تقل عن ١٣٥ سم في المقاعد الأمامية للسيارة، دون استثناءات.



يحظر تماماً تركيب مقعد تثبيت الأطفال في أي مقعد راكب يحتوي على وسادة هوائية نشطة.





لتركيب مقعد السيارة Axxkid One في السيارة

1 قبل تركيب مقعد السيارة Axxkid One في سيارتك، قلل حجمه بتحرير زر ضغط مساحة الساق (ن) وقم بإمالة المقعد باتجاه الدعامة الأمامية (د). قم بطي ساق الدعم (ص) لأسفل إلى أن يتم سماع صوت نقرة ويتحول مؤشر موضع ساق الدعم (ع) إلى اللون الأخضر.

2 حرر زر تحرير الدعامة الأمامية (ج) وقم بطي الدعامة الأمامية (د) نحو المقعد. واصل الضغط على الدعامة الأمامية (د) بإحدى اليدين وأمسك مقبض الظهر (س) باليد الأخرى وارفع مقعد السيارة Axxkid One في سيارتك من الدعامة الأمامية (د) أولاً ثم لفه إلى وضع مواجه للخلف.

3 ادفع موصلات نظام ISOFIX (خ) في نقاط توصيل نظام ISOFIX في السيارة إلى أن تسمع صوت نقرة ويتحول كلا مؤشري قفل نظام ISOFIX (ت) إلى اللون الأخضر.

4 حرر الدعامة الأمامية (د) التي ستبدأ في ضغط نفسها على مقعد السيارة. عندما تتوقف، لف مقبض الدعامة الأمامية (ك) في اتجاه عقارب الساعة إلى أن تشعر وتسمع صوت نقرة. يجب أن تكون الدعامة الأمامية (د) الآن مضغوطة بقوة على مقعد السيارة. يحتوي مقبض الدعامة الأمامية (ك) على محدد عزم مضمن وتشير النقرة إلى ربط الدعامة الأمامية (د) بصورة صحيحة وعدم إمكانية ربطها أكثر من هذا.

5 اضغط على زر ساق الدعم (ط) واسحب ساق الدعم (ص) لأسفل إلى أن تلامس أرضية السيارة. حرر زر ساق الدعم (ط) وارفع مقعد السيارة لأعلى لزيادة إطالة ساق الدعم (ص) إلى أن تسمع صوت نقرة. يجب أن تكون ساق الدعم (ص) مقللة الآن ومضغوطة بقوة على أرضية السيارة. ملاحظة: مقعد السيارة Axxkid One مجهز بمؤشر صوت صافرة (ق) والذي سيواصل الصفير إلى أن يتم ضغط ساق الدعم (ص) بقوة على الأرضية، مما يشير إلى التركيب الصحيح.

6 ادفع وسادة ASIP (ن) في الفتحات الموجودة على موصل ASIP (ي) وقم بالإزاحة لأسفل. ستسمع صوت تثبيت وسادة ASIP (ن) في مكانها. في حالة وجود غطاء بلاستيكي على موصل ASIP (ي)، قم بفكه ووضعه على موصل ASIP (ي) على الجانب المقابل للمقعد قبل تركيب وسادة ASIP (ن). تأكد من تركيب وسادة ASIP (ن) على جانب مقعد السيارة Axxkid One الأقرب إلى باب السيارة.



تثبيت طفلك في مقعد السيارة Axkid One

قبل تثبيت طفلك في مقعد السيارة Axkid One، تأكد من تركيب الجزء الداخلي الصحيح في المقعد. مقعد Axkid One مصمم بحيث تزيد مساحته مع زيادة عمر طفلك ولضمان الملاءمة المريحة والأمانة لكل الأطفال. توجي شركة Axkid باستخدام الجزء الداخلي المناسب إلى أن يصبح ضيقاً للغاية على طفلك، لكن بحد أدنى للطول وفقاً للجدول أدناه (لاحظ أن السن مجرد مؤش):

السن	الطول	
الطفل الرضيع 0-6 أشهر (مقعد Axkid One فقط)	0 - 60 سم	
الطفل في مرحلة الحبو 0-3 سنوات	61 - 105 سم	
الطفل الصغير 3-7 سنوات	106 - 125 سم	

حرر حمالة الأمان بالضغط على زر تحرير حمالة الأمان (ر) واسحب للخارج كلا شريطي الكتف (أ) في الوقت نفسه، تجنب سحب شريط واحد فقط في كل مرة حيث قد يتسبب ذلك في عدم تساوي طول أشرطة الكتف (أ).

7

قم بفتح الإبزيم بالضغط على زر تحرير الإبزيم (ب) وضع الأشرطة خارج المقعد.

8

ضع طفلك في المقعد وضع أشرطة الكتف (أ) على كتف طفلك، اقل حمالة الأمان بوضع أجزاء الإبزيم المتصلة بأشرطة الكتف (أ) معاً أولاً ثم دفعها في الإبزيم إلى أن تسمع صوت نقرة.

9

اضبط مسند الرأس (هـ) إلى أن تصبح مؤشرات مستوى العين (و) متسقة مع عيني طفلك بالضغط على أزرار ضبط مسند الرأس (م) وقم بإزاحته لأعلى أو لأسفل. ملاحظة: يجب عدم استخدام مؤشرات مستوى العين (و) عند استخدام الجزء الداخلي الخاص بالطفل الرضيع (مقعد Axkid One فقط). عند استخدام مقعد Axkid One للأطفال الرضع، تأكد دائماً من وجود مسند الرأس في أدنى وضع.

10

تأكد من مرور أشرطة الأكتاف (أ) خلال المقعد بصورة مستقيمة من كتفي طفلك أو أعلاه بما مسافة 1 سم كحد أقصى. قد تحتاج إلى ضبط مسند الرأس (هـ) مرة أخرى، حتى إذا أدى ذلك إلى عدم توازي مؤشر مستوى العين مع عيني طفلك. اسحب الآن أشرطة الأكتاف (أ) لربط حمالة الأمان على وركي طفلك. مع مواصلة شد أشرطة الأكتاف (أ)، اسحب شريط شد حمالة الأمان (ش) إلى أن يتم ربط حمالة الأمان بدرجة كافية. يجب ألا يكون بإمكانك إدخال أكثر من إصبع واحد بين أشرطة الأكتاف (أ) وكتفي طفلك.

11



عمليات ضبط المقعد

بعد تركيب مقعد السيارة Axxid One في سيارتك يمكنك ضبط مساحة الساق وموضع إمالة طفلك بسهولة. يمكن القيام بذلك أيضًا وطفلك مثبت في مقعد السيارة.

للتأكد من الملاءمة الصحيحة في كل السيارات وتوفير أفضل حماية لطفلك، توصي شركة Axxid بشدة باستخدام الأوضاع التوجيهية المحددة على جانب مقعد السيارة. مع زيادة عمر طفلك وحجمه من المهم ضبط الإمالة إلى وضع أكثر استقامة لتوفير أفضل حماية ممكنة لعنق طفلك في حالة وقوع حادث. يعتمد مؤشر الحجم على طول طفلك. تأكد من أن كلا السهمين يشيران إلى المنطقة الصحيحة.

السن	الضبط	
الطفل الرضيع 0-6 أشهر (مقعد Axxid One فقط)	أقصى إمالة أدنى مساحة للساق	<p>0-60 cm</p>
الطفل في مرحلة الحبو 0-3 سنوات	كل أوضاع الإمالة أوضاع مساحة ساق متعددة	<p>61-105 cm</p>
الطفل الصغير 3-7 سنوات	أقصى وضع مستقيم أقصى مساحة ساق	<p>106-125 cm</p>

ضبط مقعد السيارة Axxid One

- يتم ضبط مساحة الساق عن طريق تحرير زر ضبط مساحة الساق (ن) وتحريك المقعد للأمام أو للخلف. تجنبًا لتحرك مقعد Axxid One إلى الأمام دون قصد، أمسك مقبض الظهر (س) واسحبه برفق إلى الخلف قبل تحرير زر ضبط مساحة الساق (ن).
- يمكن ضبط وضع إمالة مقعد السيارة بلف مقبض ضبط وضع الإمالة (ح).



فك مقعد السيارة Axxkid One من سيارتك

- اضغط على زر ساق الدعم (ط) وقم بطي ساق الدعم (ص) إلى أقصر وضع له.
- حرّك زر تحرير الدعامة الأمامية (ج) وقم بطي الدعامة الأمامية (د) نحو المقعد لتحرير الشد على مقعد السيارة.
- أفضل موصلات ISOFIX (خ) بالضغط لأسفل على أزرار ISOFIX (ث) ثم قم بإزاحتها للخلف، بعيداً عن مقعد السيارة.
- واصل الضغط على الدعامة الأمامية (د) بإحدى اليدين وأمسك مقبض الظهر (س) باليد الأخرى وارفع مقعد السيارة Axxkid One خارج السيارة.
- قم بطي ساق الدعم (ص) لأعلى عن طريق سحب شريط تحرير ساق الدعم (ف) وطي ساق الدعم (ص) لأعلى.

العناية والصيانة

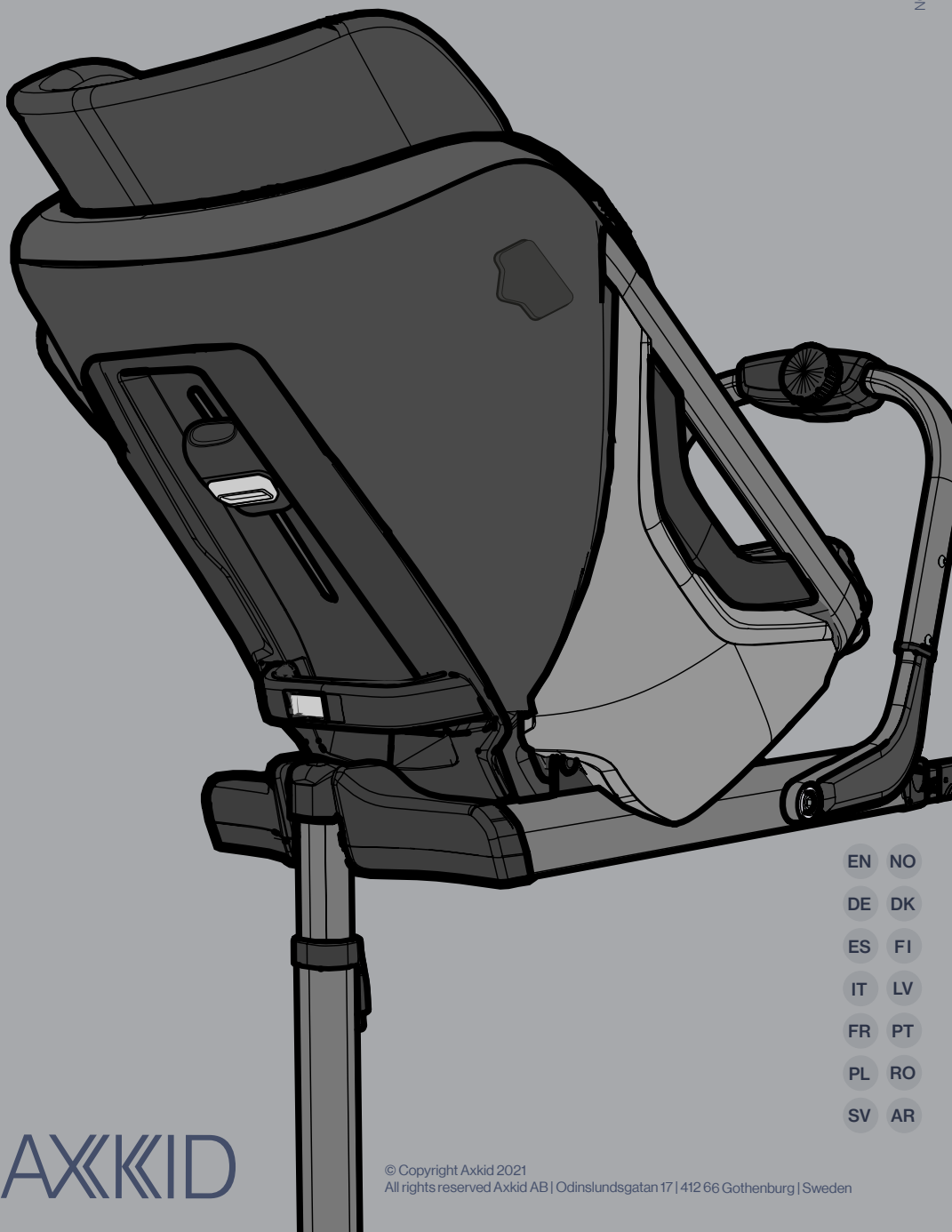
- يمكن غسل غطاء المقعد المصنوع من القماش في غسالة أوتوماتيكية في درجة حرارة 30 درجة مئوية مع ضبط الغسالة على دورة خفيفة. لا تضع الغطاء في مجفف الملابس نظراً لأنه قد يؤدي إلى إتلاف الغطاء فضلاً عن إمكانية انفصال البطانة عن القماش. قم بزيارة www.axxkid.com للعثور على مقاطع فيديو توضح كيفية فك الغطاء وتركيبه.
- لفك الغطاء المصنوع من القماش عن المقعد، اسحب الغطاء الجانبي (ل) للخارج وأفضل شريط فيلكرو. افتح الزمامات المنزقة الموجودة في مسند الظهر وقم بفك الغطاء من المقعد برفق. قم بتدوين كيفية تركيبها حول المقعد لتسهيل إعادتها إلى مكانها مرة أخرى. عند إعادة تركيب الغطاء الجانبي (ل)، أدخله تحت الهيكل الألومنيوم وادفعه للخلف في وصلة تثبيته. لفك غطاء مسند الرأس، افتح الزمامات المنزقة الموجودة في الجانب السفلي لمسند الرأس وفك الغطاء برفق.
- في حالة الحاجة إلى استبدال غطاء المقعد، تأكد من استخدام المنتجات الأصلية الخاصة بشركة Axxkid فقط. في حالة استخدام منتجات أخرى، قد يؤثر ذلك بالسلب على نظام السلامة الخاص بمقعد Axxkid One وقد تحدث إصابة خطيرة في حالة وقوع حادث.
- يمكن تنظيف أي أجزاء بلاستيكية بمقعد السيارة Axxkid One باستخدام سائل تنظيف خفيف وماء. لا تستخدم مواد كيميائية قوية تحتوي على مركبات مذيبة أو ما شابه نظراً لأنها قد تتسبب في إتلاف الأجزاء البلاستيكية والتأثير بالسلب على سلامة مقعد السيارة.
- تعد جميع المواد المستخدمة في مقعد Axxkid One قابلة لإعادة التدوير ويجب إعادة تدويرها وفقاً للوائح المحلية. اطلب المشورة من مركز إعادة التدوير المحلي لديك عند إعادة تدوير هذا المنتج.
- يحتوي مؤشر الصوت (ق) على بطارية CR1632 قابلة للاستبدال. يرجى فك البطارية وإعادة تدويرها وفقاً لتشريعات المحلي عند وجوب عدم استخدام مقعد السيارة Axxkid One. قم بفك البرغيين الموجودين أسفل ساق الدعم (ص) وفك الغطاء حتى تتمكن من الوصول إلى البطارية مرة أخرى.
- لا تقم بإجراء أي تعديلات أو تغييرات في مقعد السيارة Axxkid One بخلاف تلك الموضحة في كتيب الإرشادات هذا.
- يجب إجراء كل أعمال الإصلاح بمعرفة الشركة المصنعة أو وكيلها.

الضمان

مقعد السيارة Axkid One مشمول بضمان لمدة ٢٤ شهرًا من تاريخ الشراء. احرص على الاحتفاظ بالفاتورة واصطحبها معك إلى مكان الشراء في حالة وجود أي مشكلات مشمولة بالضمان.

لا يشمل الضمان:

- البلي والتلف العادي
- التلف الناتج عن الاستخدام غير الصحيح، أو الإهمال، أو الحوادث
- في حالة تنفيذ أعمال الإصلاح بمعرفة جهة خارجية
- جميع المواد المستخدمة تتسم بتصنيف مرتفع للغاية من حيث مقاومة الأشعة فوق البنفسجية. بيد أن ضوء الأشعة فوق البنفسجية هو ضوء قوي للغاية وسيؤدي في النهاية إلى بهتان غطاء المقعد. لا يغطي الضمان الخاص بنا هذا التلف نظرًا لأنه يعتبر من أنواع البلي والتمزق الناتجة عن الاستخدام العادي.
- تعامل مع المقعد بحرص. لاحظ أن قماش شبكة الجانب الخلفي يندش بسهولة ولن يغطي الضمان أي تلفيات غير التلفيات الخاصة بالشبكة المعيبة من المصنع.



- EN NO
- DE DK
- ES FI
- IT LV
- FR PT
- PL RO
- SV AR

AXKID